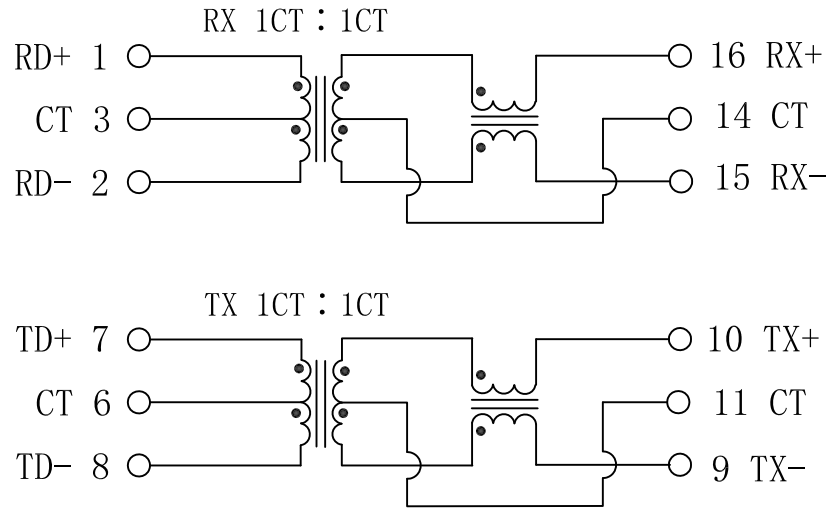


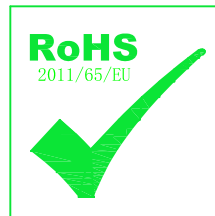
Schematic:

REV.	ECN NO.	DESCRIPTION	DATE	APPD
A	REL		2016-09-10	



Electrical Specifications @25°C

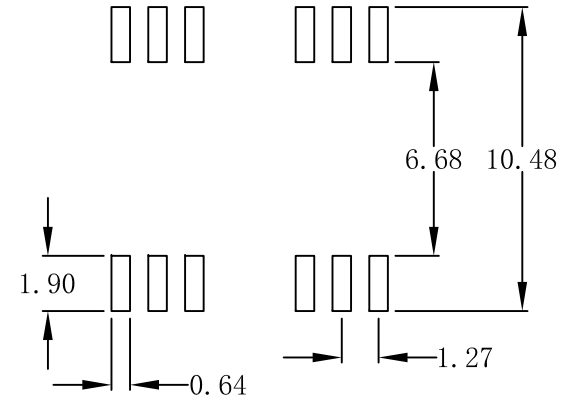
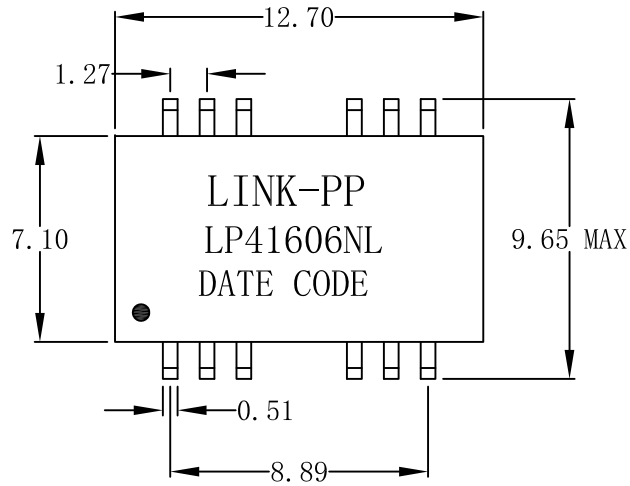
- Turns Ratio ($\pm 5\%$):
TX=1CT : 1CT RX=1CT : 1CT
- OCL: 350uH MIN @100KHz 0.1V
- Insertion Loss:
0.3-100MHz: -1.1dB MAX
- Return Loss (dB TYP):
30MHz: -20 60MHz: -14
80MHz: -11.5
- Crosstalk (dB TYP):
30MHz: -45 60MHz: -40
100MHz: -35
- CMR (dB TYP):
30MHz: -42 50MHz: -37
100MHz: -33
- Hipot: 1500Vrms.
- Operating Temperature: 0°C ~ 70°C.



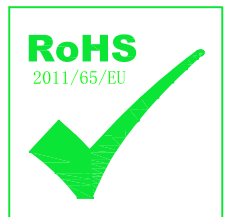
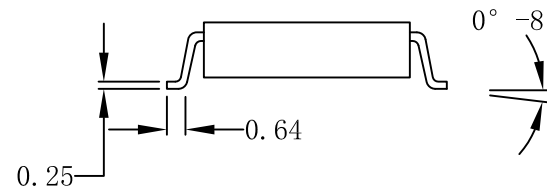
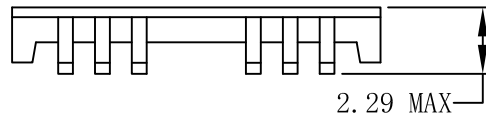
X:X	APPD:	LINK-PP INT'L TECHNOLOGY CO., LIMITED		
X:XX ± 0.25	CHKD:	TITLE: 10/100Base-T Single Port Transformer Modules		
X:XXX	DR: TOM	PART NO.: LP41606NL		
ANGLES $\pm 1^\circ$	UNIT: mm	DWG NO.: LP16091023		
	SCALE: 2/1	SHEET: 1/2	REV: A	

Mechanical:

REV.	ECN NO.	DESCRIPTION	DATE	APPD
A	REL		2016-09-10	



SUGGESTED PAD LAYOUT



NOTES:

1. Designed to support application, such as SOHO (ADSL modems), LAN-on-Motherboard (LOM), hub and Switches.
2. The part is RoHS compliant.
3. Meets IEEE 802.3 specification.
4. Maximum reflow temperature is 250°C, 5 Sec.
5. UL Certification: File Number E484635.

X:X	APPD:	LINK-PP INT'L TECHNOLOGY CO., LIMITED		
X:XX ±0.25	CHKD:	TITLE: 10/100Base-T Single Port Transformer Modules		
X:XXX	DR: TOM	PART NO.: LP41606NL		
ANGLES ±1°	UNIT: mm	DWG NO.: LP16091023		
	SCALE: 2/1	SHEET: 2/2	REV: A	