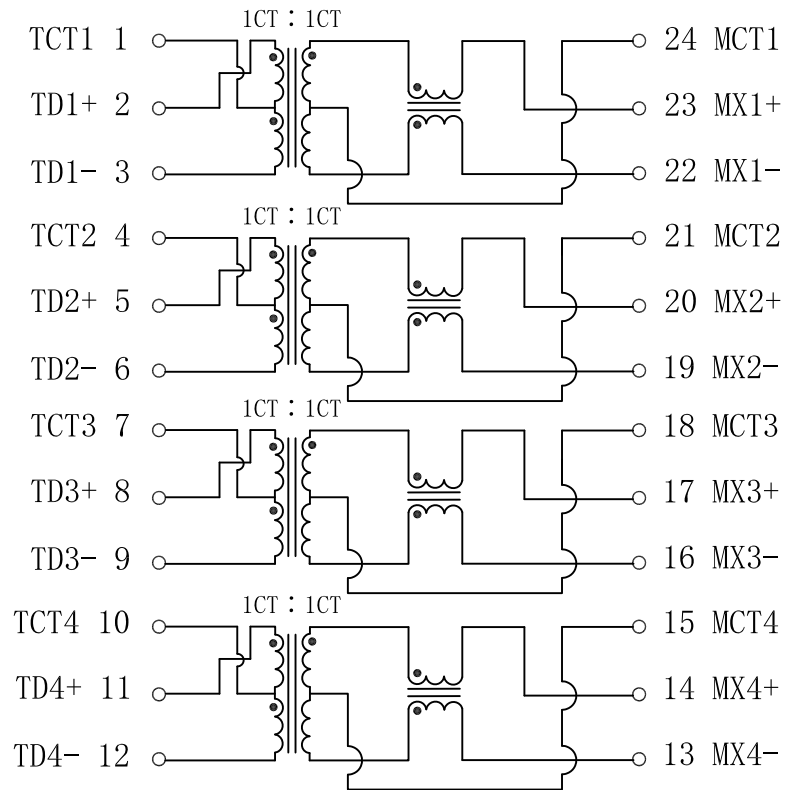


Schematic:

REV.	ECN NO.	DESCRIPTION	DATE	APPD
A	REL		2010/04/28	



Electrical Specification @25°C

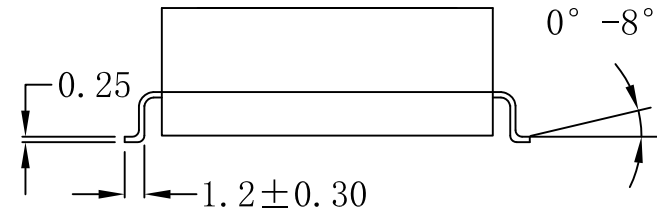
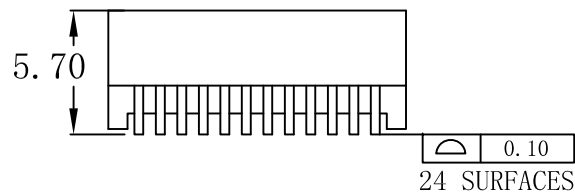
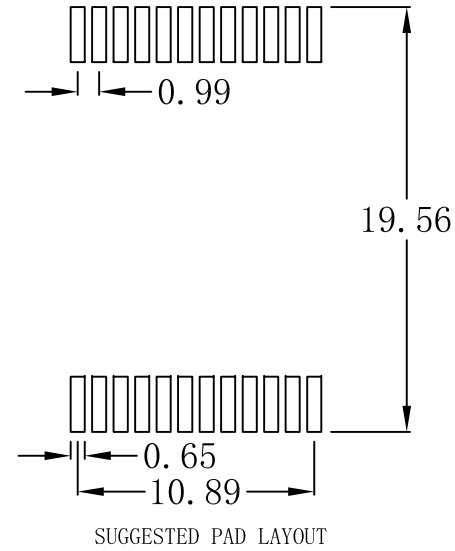
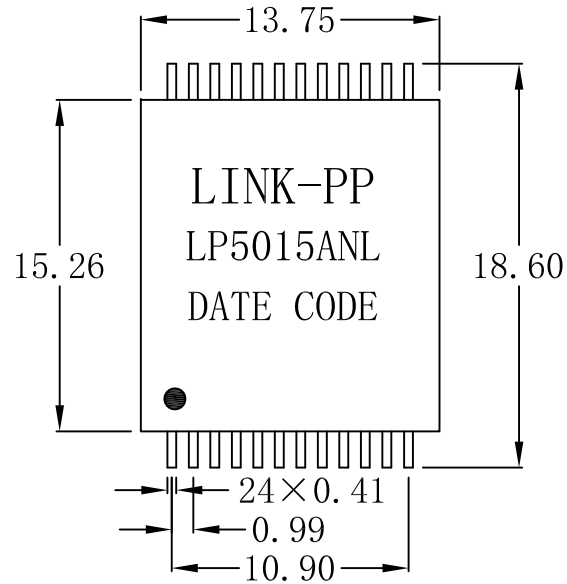
1. OCL (@100KHz, 0.1Vrms, 8mA) : 350uH min
2. Turns Ratio: 1CT:1CT
3. Insertion Loss:
 - 1-100MHz: -1.0dB max
4. Return Loss (dB min):
 - 1-40MHz: -18 60MHz: -14
 - 80MHz: -12 100MHz: -10
5. Crosstalk (dB min):
 - 30MHz: -43 60MHz: -37
 - 100MHz: -33
6. CMR: 0.1-100MHz: -40dB typ
7. Isolation Voltage: 1500Vrms
8. Operating Temperature: -40°C ~ +85°C.



X:X	APPD:	LINK-PP INT'L TECHNOLOGY CO., LIMITED		
X:XX ±0.25	CHKD:	TITLE: 1000Base-T Magnetic Modules		
X:XXX	DR: TOM	PART NO.: LP5015ANL		
ANGLES ±1°	UNIT: mm	REV: A DWG NO.: LP10042808		
	SCALE: 2/1	SHEET: 1/2	REV: A	DWG NO.: LP10042808

Mechanical:

REV.	ECN NO.	DESCRIPTION	DATE	APPD
A	REL		2010/04/28	



NOTES:

1. Designed to support application, such as SOHO (ADSL modems), LAN-on-Motherboard (LOM), hub and Switches.
2. Meets IEEE 802.3 specification.
3. Maximum reflow temperature is 250°C, 5 Sec.
4. UL Certification: File Number E484635

X:X	APPD:	LINK-PP INT'L TECHNOLOGY CO., LIMITED		
X:XX ±0.25	CHKD:	TITLE: 1000Base-T Magnetic Modules		
X:XXX	DR: TOM	PART NO.: LP5015ANL		
ANGLES ±1°	UNIT: mm	DWG NO.: LP10042808		
	SCALE: 2/1	SHEET: 2/2	REV: A	