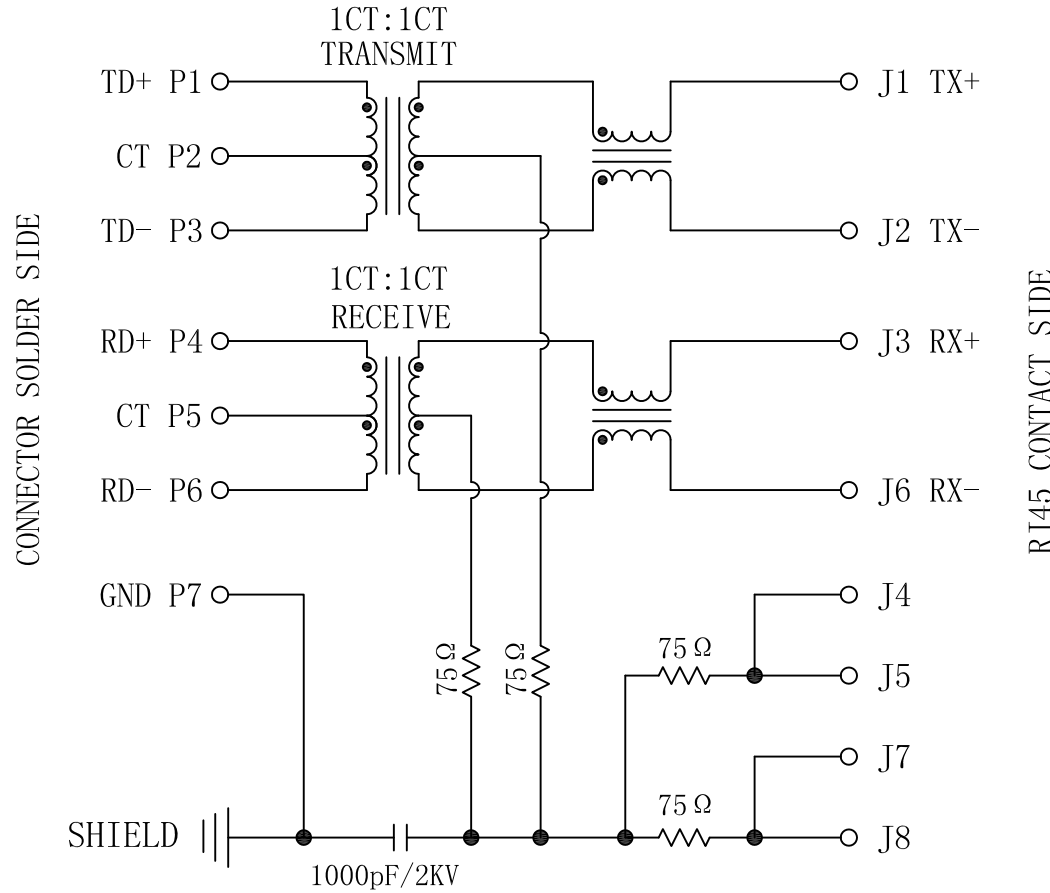


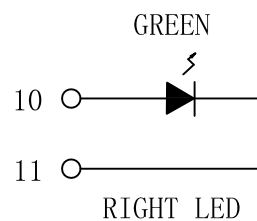
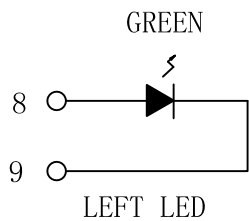
Schematic:

REV.	ECN NO.	DESCRIPTION	DATE	APPD
A	REL		2014/01/10	



ELECTRICAL SPECIFICATIONS @25°C

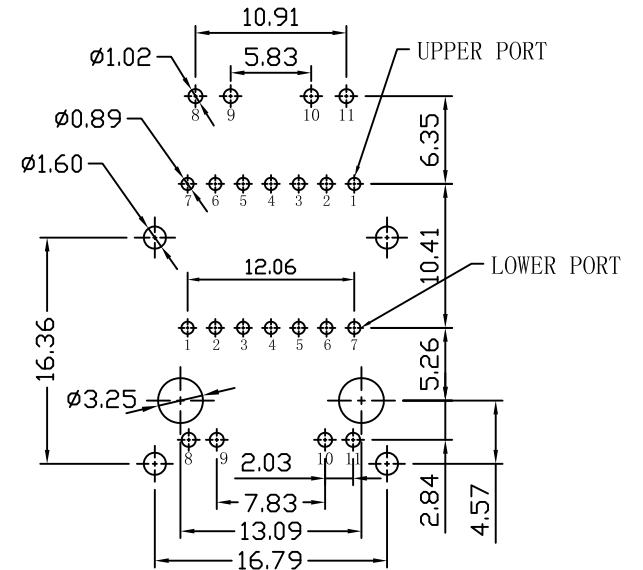
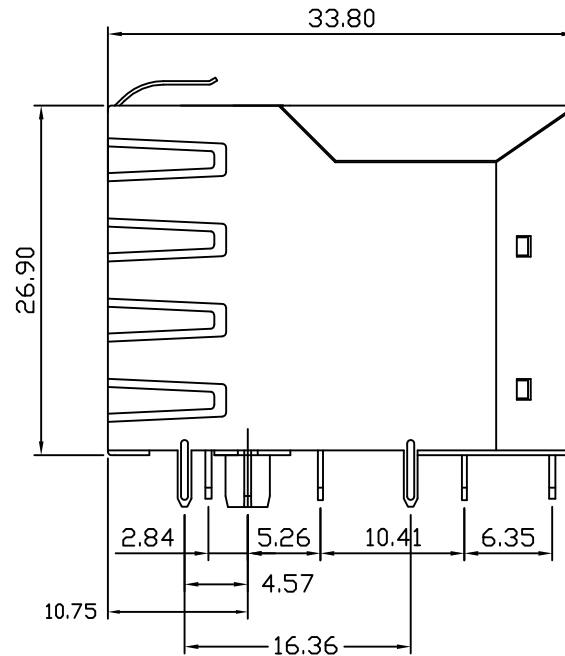
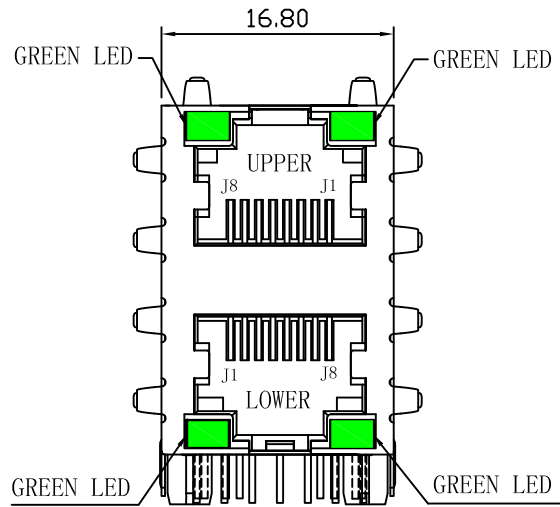
- Turn Ratio($\pm 3\%$):
TX=1CT:1CT RX=1CT:1CT
- Inductance OCL: 350uH MIN
@100KHz/0.1V, 8mA DC Bias
- DCR:
PINS: (J1-J2), (J3-J6)=1.2 OHMS MAX
PIN4-PIN6=0.7 OHMS MAX
PIN1-PIN3=0.7 OHMS MAX
- Insertion Loss:
-1.1dB MAX @ 0.1-100MHz
- Return Loss:
-18dB MIN @ 1-30MHz
-12dB MIN @ 60-80MHz
- Cross talk:
-40dB TYP @ 1-100MHz
- Common to Common Mode Rejection:
-35dB TYP @ 1-100MHz
- Hipot Test: 1500Vrms MIN
- Operating Temperature: 0°C TO 70°C.



X:X	± 0.30	APPD:	LINK-PP INT'L TECHNOLOGY CO., LIMITED	
X:XX	± 0.20	CHKD:	TITLE: RJ45 Connector with 10/100 BASE-T Integrated Magnetics	
X:XXX	± 0.05	DR: TOM	PART NO.: LPJ17641AFNL	
ANGLES	$\pm 1^\circ$	UNIT: mm	DWG NO.: LP14011001	
	SCALE: 2/1	SHEET: 1/2	REV: A	

Mechanical:

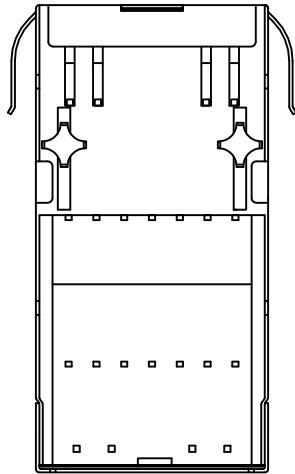
REV.	ECN NO.	DESCRIPTION	DATE	APPD
A	REL		2014/01/10	



SUGGESTED PCB LAYOUT (TOP VIEW)

NOTES:

1. Designed to support application, such as SOHO (ADSL modems), LAN-on-Motherboard (LOM), hub and Switches.
2. Meets IEEE 802.3 specification
3. Connector Materials:
Housing: Thermoplastic UL94V-0
Contact/Shield: Copper alloy
Shield plating: Nickel
Contact plating: Gold 6 micro-inches min. In contact area.
4. Wave solder tip temperature: 265°C Max
Wave solder tip temperature time: 5 Sec Max



X:X	± 0.30	APPD:	LINK-PP INT'L TECHNOLOGY CO., LIMITED	
X:XX	± 0.20	CHKD:	TITLE: RJ45 Connector with 10/100 BASE-T Integrated Magnetics	
X:XXX	± 0.05	DR: TOM	PART NO.: LPJ17641AFNL	
ANGLES	$\pm 1^\circ$	UNIT: mm	DWG NO.: LP14011001	
	SCALE: 2/1	SHEET: 2/2	REV: A	