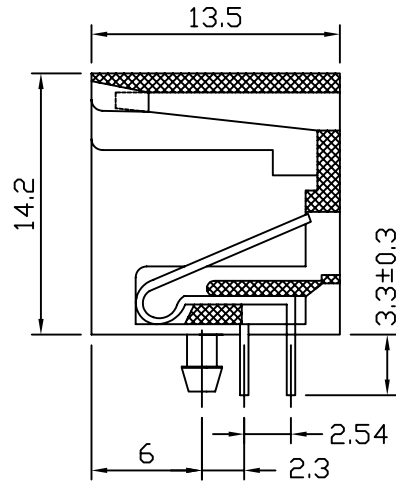
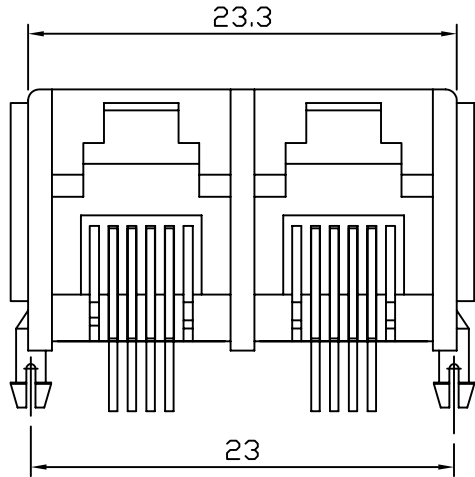
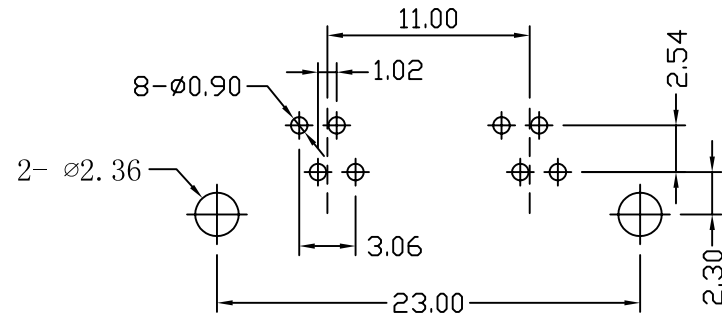
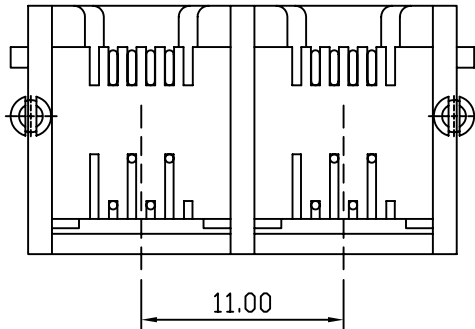


Mechanical:

REV.	ECN NO.	DESCRIPTION	DATE	APPD
A	REL		2009/09/09	



- PCB JACK Specification
1. Insulation Resistance: 500M Ω MIN @ 500 VDC
 2. Withstanding Voltage: AC1000V 50Hz or 60Hz 1min.
 3. Durability: 600 Mating Circles MIN.
 4. Gold Plating:
(Gold Flash; 1.5;3;6;15;30;50)U" inch
 5. (1) Storage: -40°C to +85°C
(2) Operation: -40°C to +85°C
(3) Wave solder temperature: 230°C to 250°C, 5~10 Sec.
 6. Tolerances Unless Otherwise Specified
.0 ± 0.25 .00 ± 0.20 .000 ± 0.05



PC Board Layout (Top View)

X:X	APPD:	LINK-PP INT'L TECHNOLOGY CO., LIMITED		
X:XX	CHKD:	TITLE: RJ45 1×2 CONNECTOR (6P 4C)		
X:XXX	DR: TOM	PART NO.: LPJE702NNL		
ANGLES ±1°	UNIT: mm			
	SCALE: 2/1	SHEET: 1/1	REV: A	DWG NO.: LP09090908