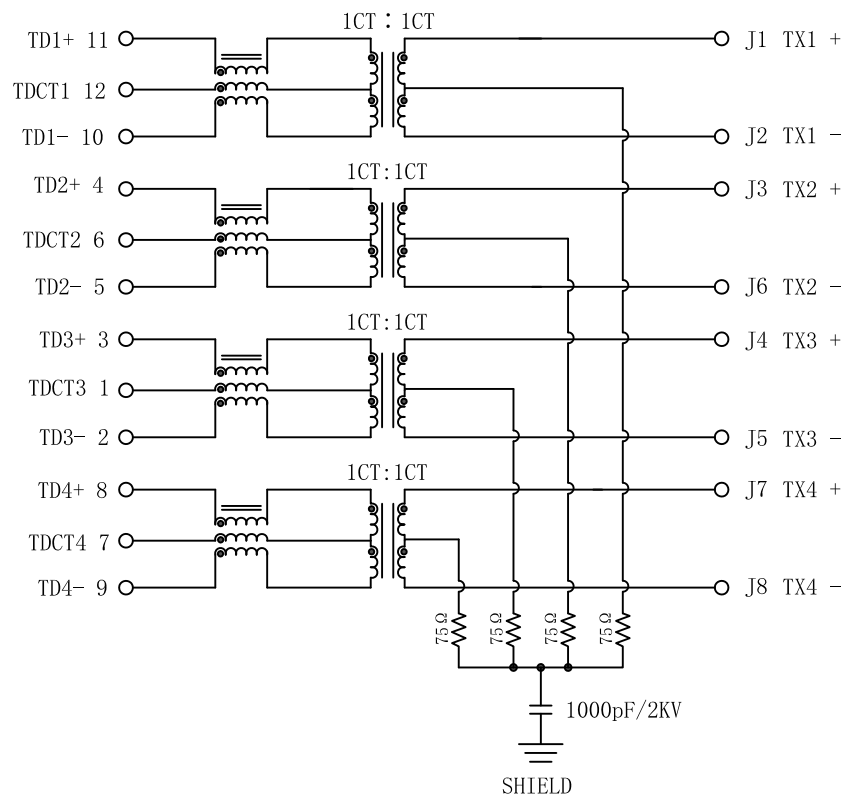


Schematic:

REV.	ECN NO.	DESCRIPTION	DATE	APPD
A	REL		2013/06/22	

PCB CONNECTIONS



RJ45 CONNECTOR

Electrical Specification @25°C

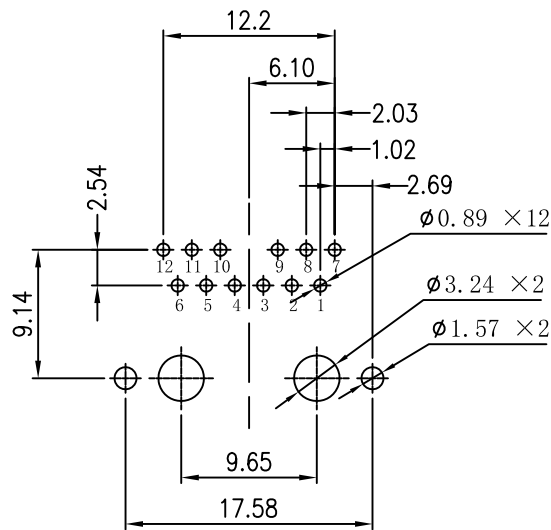
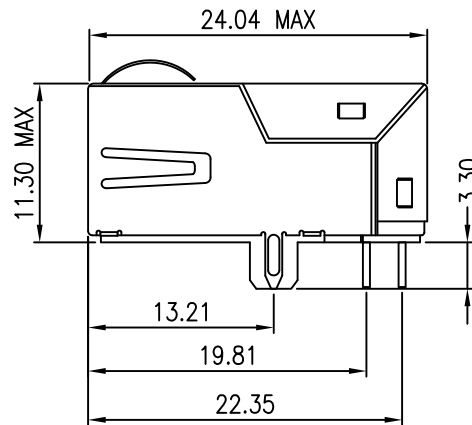
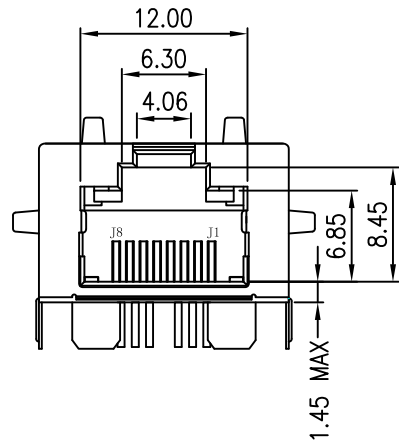
- Turns Ratio ($\pm 2\%$):
Pri : Sec = 1CT : 1CT
- OCL: 350uH Min @100KHz/100mVrms
8mA DC Bias
- Insertion Loss(dB Max):
1~100MHz:-1.2
- Return Loss(dB Typ @100 OHMS $\pm 15\%$):
1~10MHz:-18 30MHz:-18
60~80MHz:-12 80~100MHz:-10
- Crosstalk(dB Typ):
1~10MHz:-40 32~65MHz:-35
65~100MHz:-30
- Common Mode Rejection:
1~125MHz:-30dB Typ
- Hipot: 1500Vrms
- Operating Temperature: -40°C ~ +85°C.



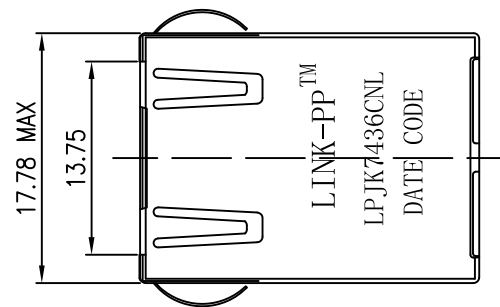
X:X	± 0.30	APPD:	LINK-PP INT'L TECHNOLOGY CO., LIMITED	
X:XX	± 0.25	CHKD:	TITLE: RJ45 Connector With 1000 Base-TX Integrated Magnetic	
X:XXX	± 0.05	DR: TOM		
ANGLES	$\pm 1^\circ$	UNIT: mm	PART NO.: LPJK7436CNL	
	SCALE: 2/1	SHEET: 1/2	REV: A	DWG: LP13062203

Mechanical:

REV.	ECN NO.	DESCRIPTION	DATE	APPD
A	REL		2013/06/22	



SUGGESTED PCB LAYOUT(TOP VIEW)



NOTES:

1. Designed to support application, such as SOHO (ADSL modems), LAN-on-Motherboard (LOM), hub and Switches.
2. Meets IEEE 802.3 specification
3. Connector Materials:
 Housing: Thermoplastic UL94V-0
 Contact/Shield: Copper alloy
 Shield plating: Nickel
 Contact plating: Gold 6 micro-inches min. In contact area.
4. Wave peak temperature: 260°C, 5Sec.



X:X	±0.30	APPD:	LINK-PP INT'L TECHNOLOGY CO., LIMITED
X:XX	±0.25	CHKD:	
X:XXX	±0.05	DR: TOM	TITLE: RJ45 Connector With 1000 Base-TX Integrated Magnetic
ANGLES	±1°	UNIT: mm	PART NO.: LPJK7436CNL
	SCALE: 2/1	SHEET: 2/2	REV: A DWG: LP13062203