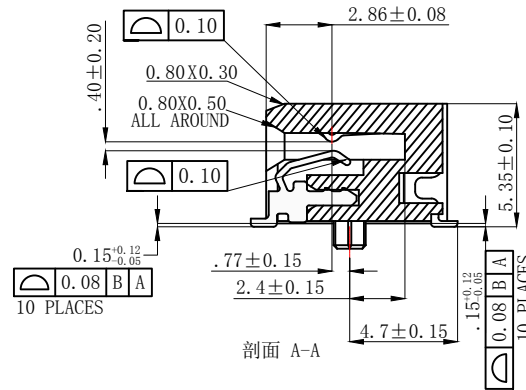
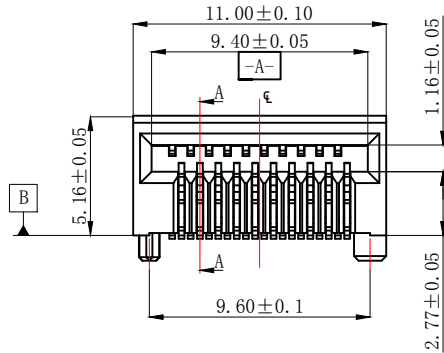
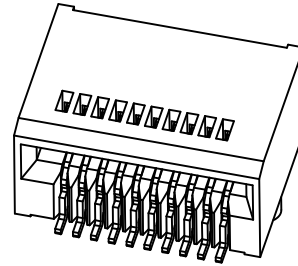
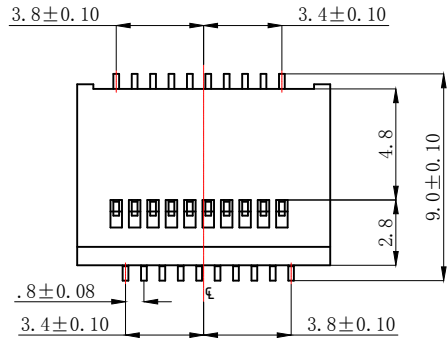


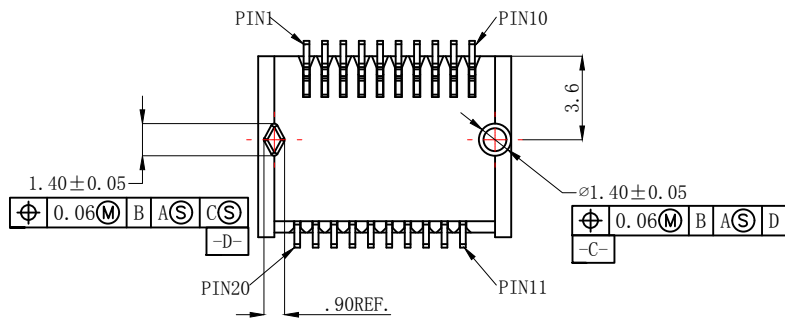
Mechanical:

REV.	ECN NO.	DESCRIPTION	DATE	APPD
A	REL		2021/07/06	



NOTE:

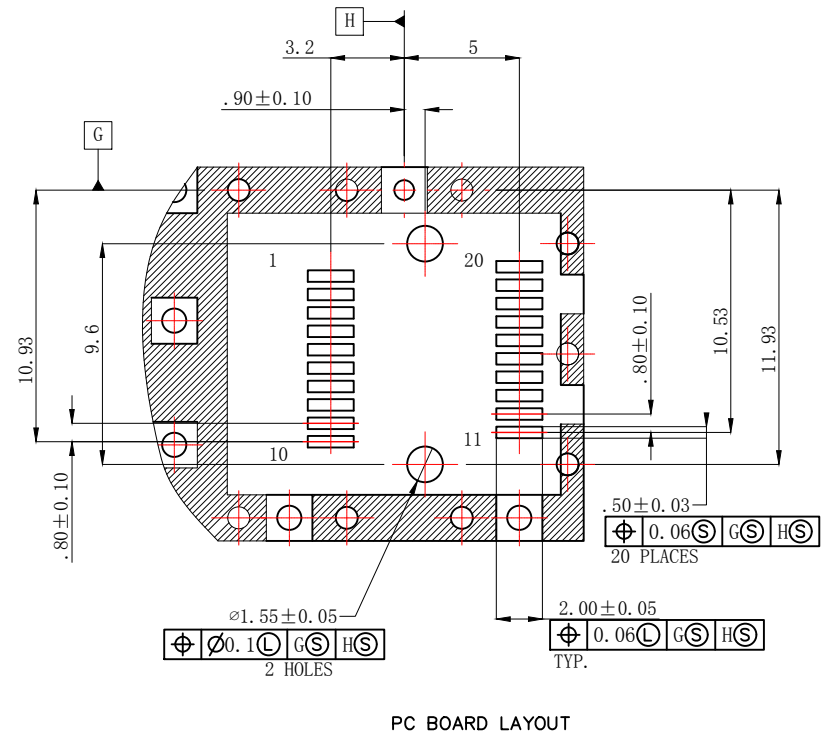
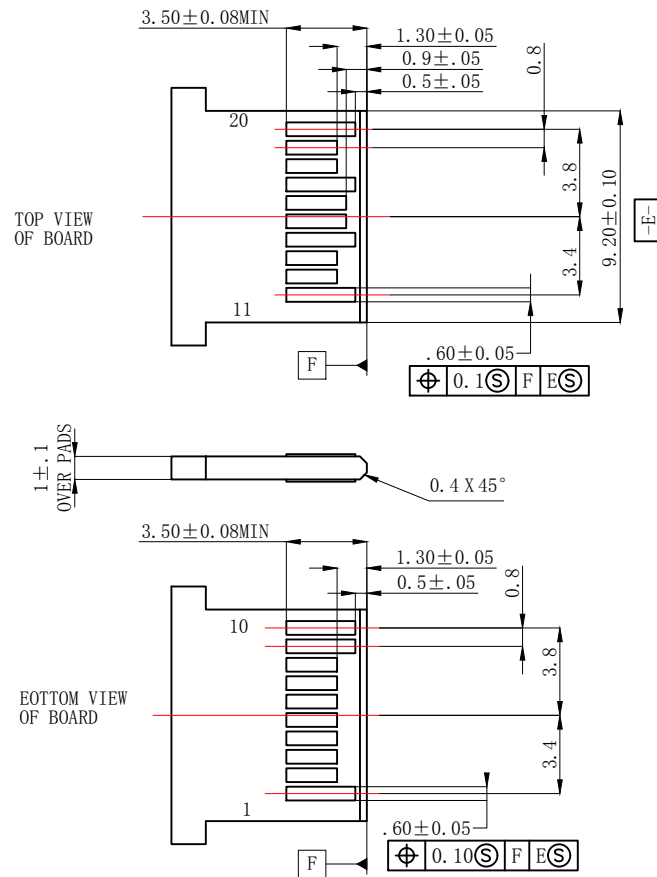
1. HOUSING MATERIAL: HIGH TEMPERATURE THERMOPLASTIC GLASS FILLED, UL94V-0, BLACK.
2. CONTACT MATERIAL: PHOSPHOR BRONZE T=0.25mm.
3. PLATING:
CONTACT AREA: GOLD OVER 30U"MIN NICKEL.
SOLDER FOOT AREA: 100U" MIN TIN OVER 30U"MIN NICKEL.
4. CONTACT RESISTANCE: 35 milliohms MAX.
5. INSULATION RESISTANCE: 1000Mohms MIN.
6. DURABILITY: 100 CYCLES MIN.
7. INSERTION AND EXTRACTION FORCE: 40N MAX & 11.5N MAX.
8. STORAGE: -40° C TO +85° C.
9. OPERATION: -40° C TO +85° C.
10. HARMFUL MATERIAL CONTROL FOLLOW ROHS
11. UL Certification: File Number E484635.



X:X	±0.25	APPD:	LINK-PP INT'L TECHNOLOGY CO., LIMITED	
X:XX	±0.20	CHKD:	TITLE:	
X:XXX	±0.05	DR: LEO	SFP28 20PIN CONNECTOR	
ANGLES	±1°	UNIT: mm	PART NO.: LP11C000003	
	SCALE: 2/1	SHEET: 1/2	REV: A	DWG NO.: LP21070601

Mechanical:

REV.	ECN NO.	DESCRIPTION	DATE	APPD
A	REL		2021/07/06	



X:X ±0.25	APPD:	LINK-PP INT'L TECHNOLOGY CO., LIMITED
X:XX ±0.20	CHKD:	
X:XXX ±0.05	DR: LEO	TITLE: SFP28 20PIN CONNECTOR
ANGLES ±1°	UNIT: mm	PART NO.: LP11C000003
	SCALE: 2/1	SHEET: 2/2
	REV: A	DWG NO.: LP21070601