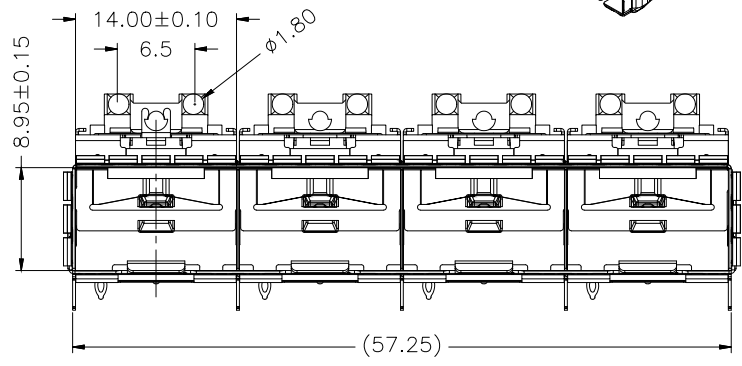
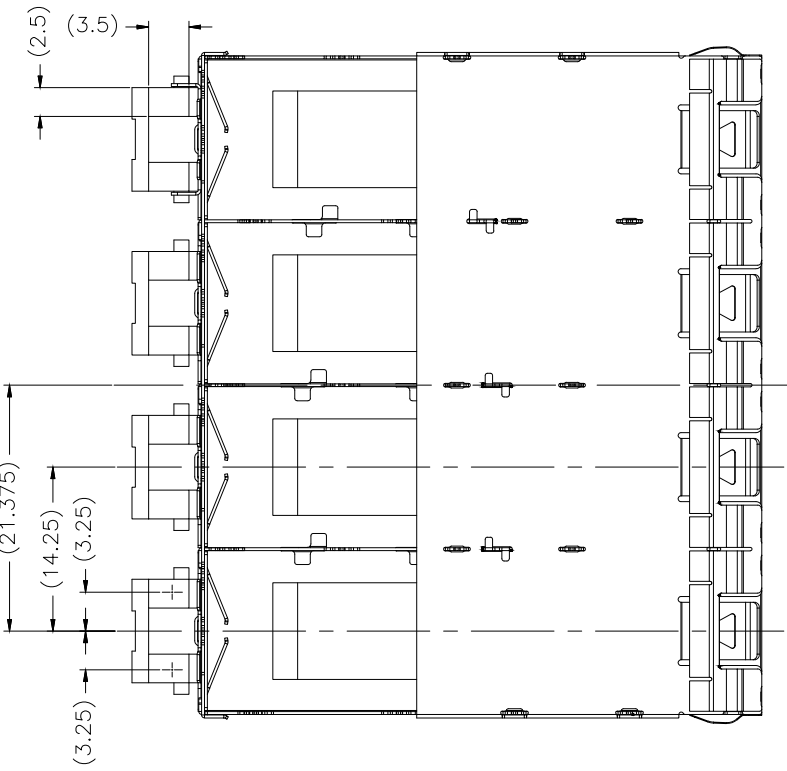
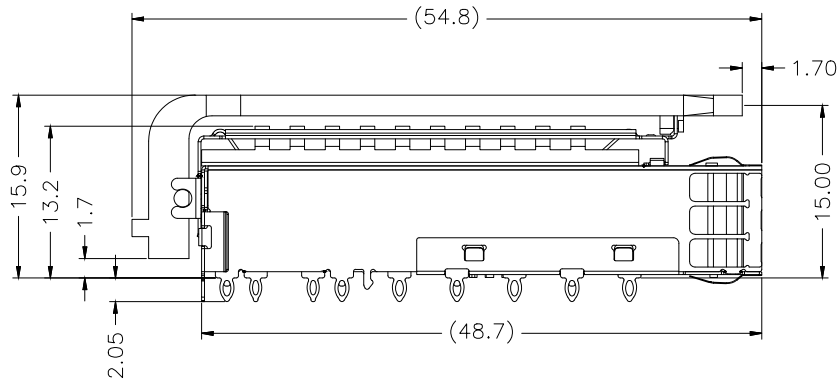
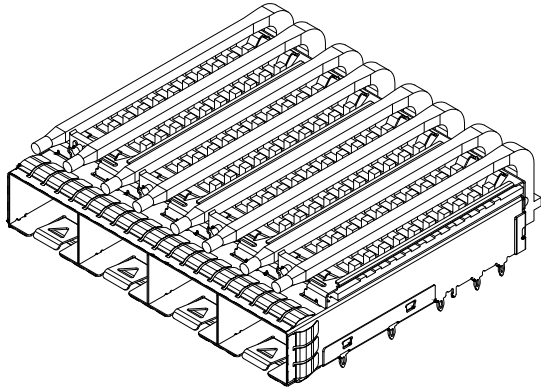


REV	DESCRIPTION OF CHANGE	REVIEWED BY	ISSUE DATE
A	FIRST ISSUE	LEO	2021-09-02

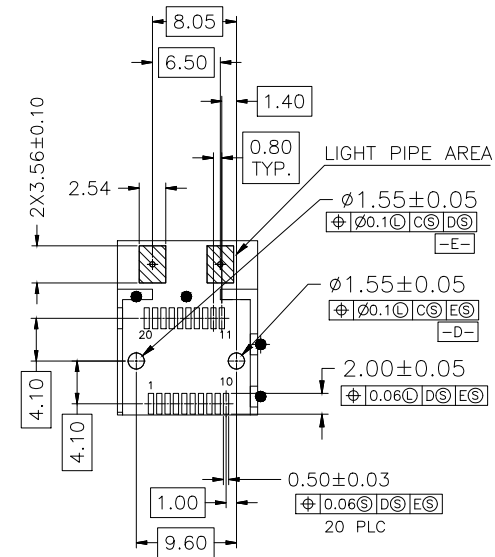
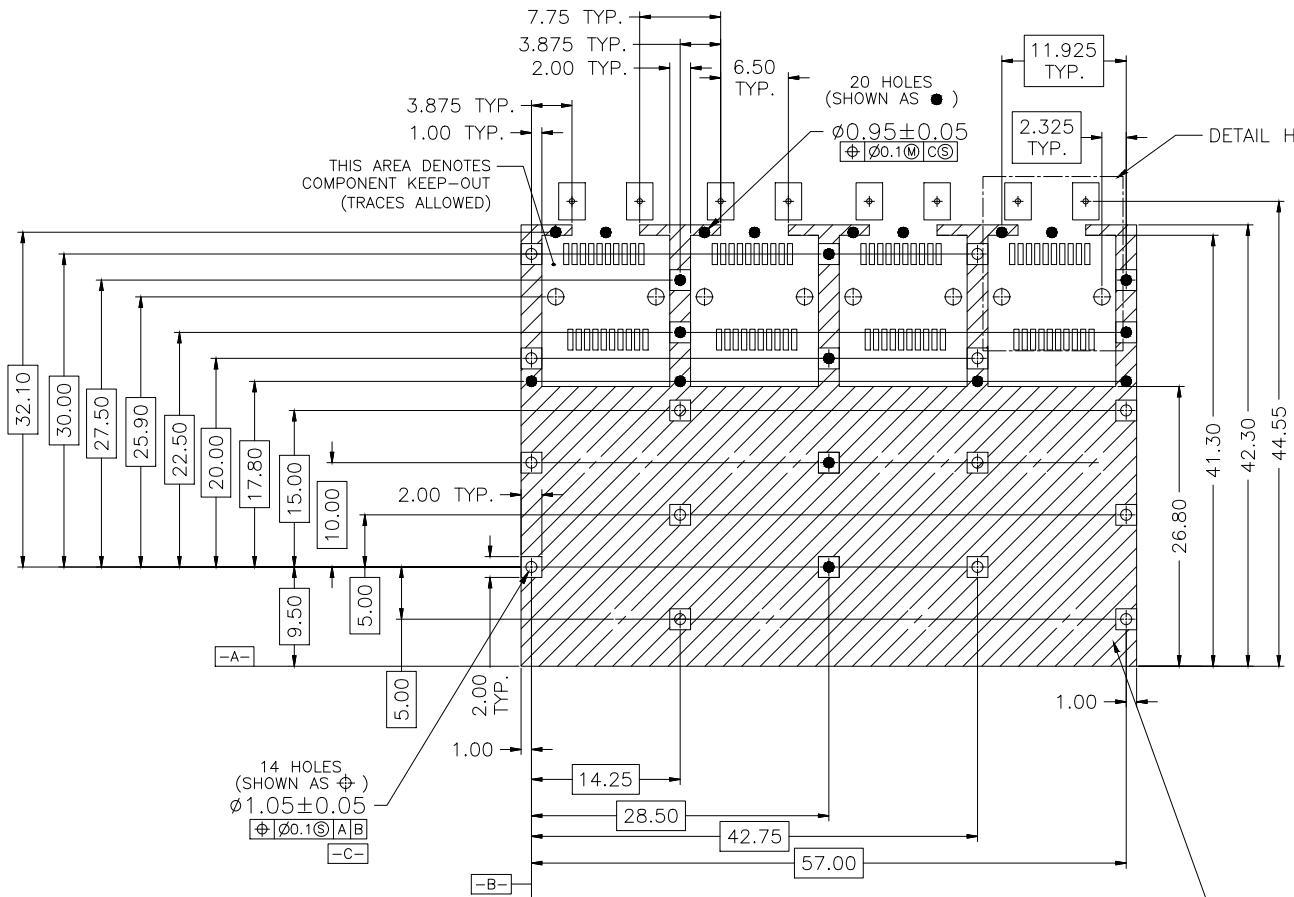


NOTES:
 1.MATERIAL:
 CAGE: COPPER ALLOY,NI PLATING,THICKNESS 0.25mm
 MIDDLE CAGE: STAINLESS STEEL
 HEAT SINK : ALUMINUM(SURFACE TREATMENT:BLACK OXIDE
 HEAT SINK CLIP: STAINLESS STEEL
 LIGHT PIPE: CLEAR POLYCARBONATE
 2.PACKAGING: TRAY PACKAGING
 3.TEMPERATURE RANGE:
 OPERATING : -40°C TO +85°C
 NON OPERATING : -55°C TO +105°C



TITLE SFP+ 1X4 CAGE WITH EMI SPRING FINGER LIGHT PIPE HEAT SINK			LINK-PP INT'L TECHNOLOGY CO., LIMITED			
PART NO. LP14BC01630			GENNERAL TOLERANCE		UNIT:MM	SIZE:A4
APPROVE	CHECK	DRAW	• X±0.20	• X±1°	SCALE:1:1	SHEET:1/4
LEO	JAMES	JAMES	• XX±0.15	• XX±5°		
			• XXX±0.10			

RECOMMENDED PCB CONFIGURATION
WITH KEEP-OUT AREAS
SINGLE SIDED APPLICATIONS

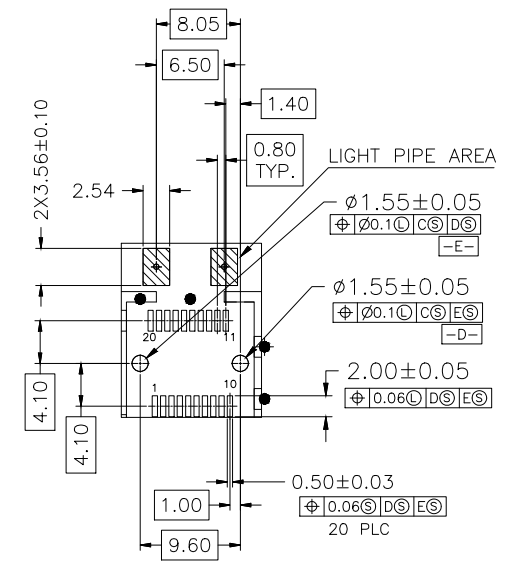
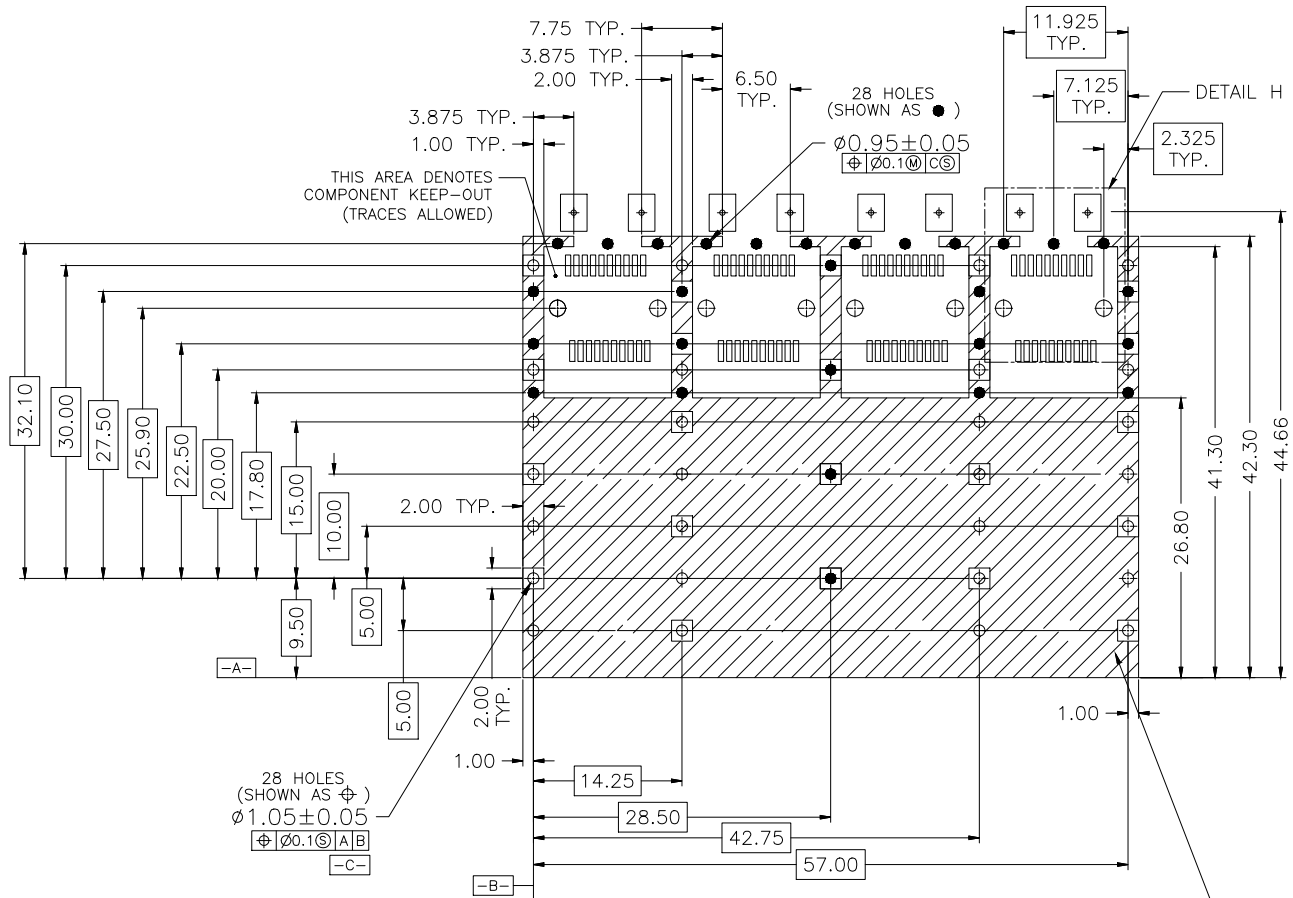


CROSS-HATCHED AREA DENOTES
COMPONENT AND TRACE KEEP-OUT
(EXCEPT CHASSIS GROUND)



TITLE SFP+ 1X4 CAGE WITH EMI SPRING FINGER LIGHT PIPE HEAT SINK			LINK-PP INT'L TECHNOLOGY CO., LIMITED		
PART NO. LP14BC01630			GENNERAL TOLERANCE		UNIT:MM
APPROVE	CHECK	DRAW	. X±0.20	. X±1°	SCALE:1:1
LEO	JAMES	JAMES	. XX±0.15	. XX±5°	SHEET:2/4
			. XXX±0.10		REV:A

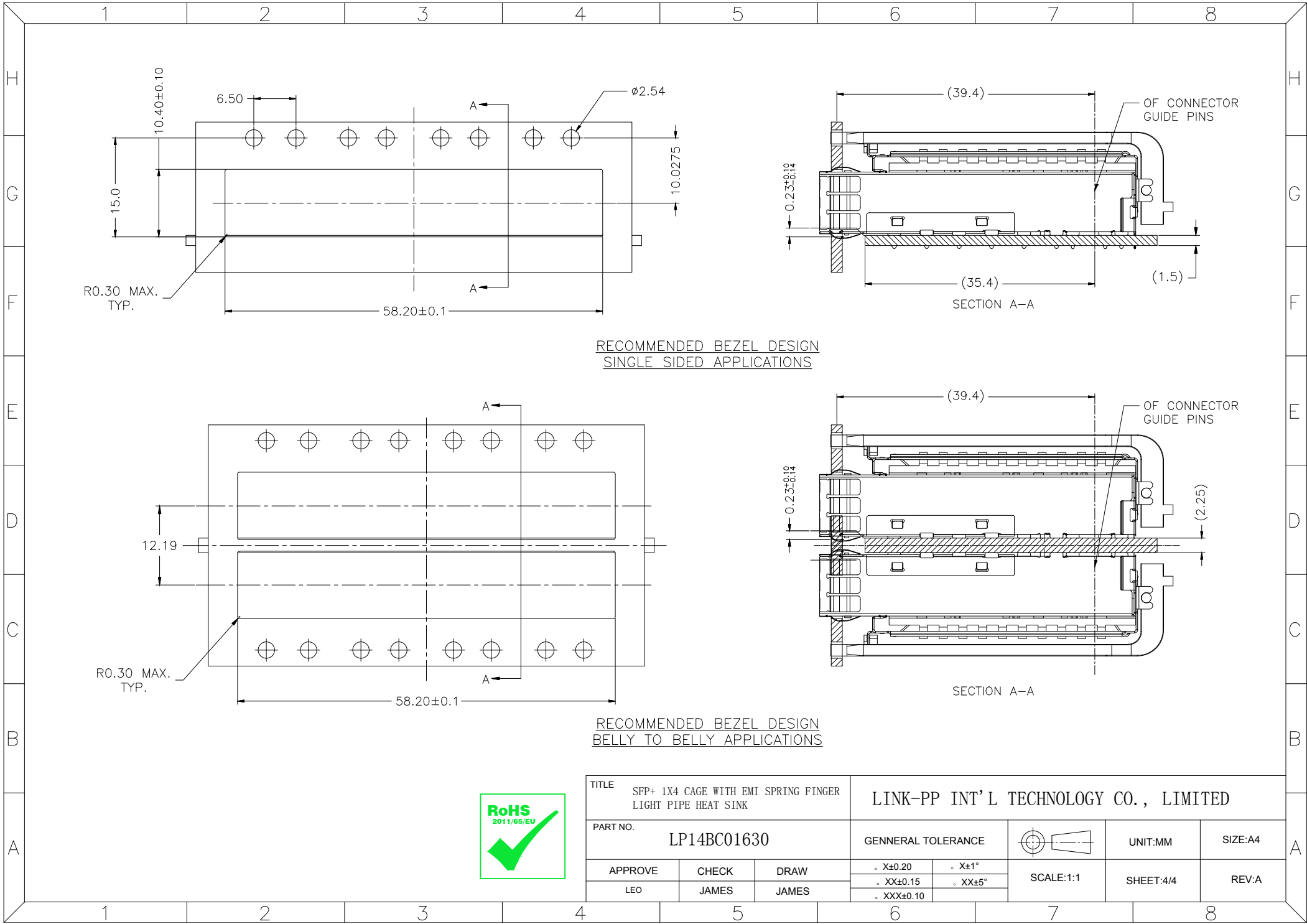
RECOMMENDED PCB CONFIGURATION
WITH KEEP-OUT AREAS
BELLY TO BELLY APPLICATIONS



CROSS-HATCHED AREA DENOTES
COMPONENT AND TRACE KEEP-OUT
(EXCEPT CHASSIS GROUND)



TITLE SFP+ 1X4 CAGE WITH EMI SPRING FINGER LIGHT PIPE HEAT SINK			LINK-PP INT'L TECHNOLOGY CO., LIMITED		
PART NO. LP14BC01630			GENNERAL TOLERANCE		UNIT:MM
APPROVE	CHECK	DRAW	. X±0.20	. X±1°	SCALE:1:1
LEO	JAMES	JAMES	. XX±0.15	. XX±5°	SHEET:3/4
			. XXX±0.10		REV:A



RECOMMENDED BEZEL DESIGN
SINGLE SIDED APPLICATIONS

RECOMMENDED BEZEL DESIGN
BELLY TO BELLY APPLICATIONS



TITLE SFP+ 1X4 CAGE WITH EMI SPRING FINGER LIGHT PIPE HEAT SINK			LINK-PP INT'L TECHNOLOGY CO., LIMITED		
PART NO. LP14BC01630			GENNERAL TOLERANCE		UNIT:MM
APPROVE	CHECK	DRAW	• X±0.20	• X±1°	SIZE:A4
LEO	JAMES	JAMES	• XX±0.15	• XX±5°	SHEET:4/4
			• XXX±0.10	SCALE:1:1	REV:A