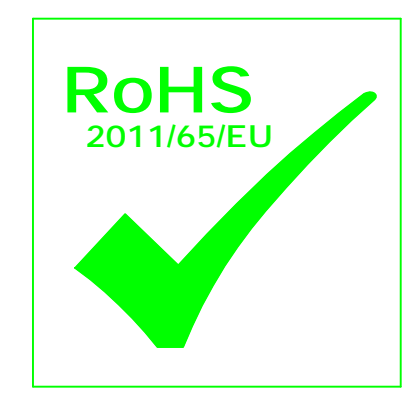
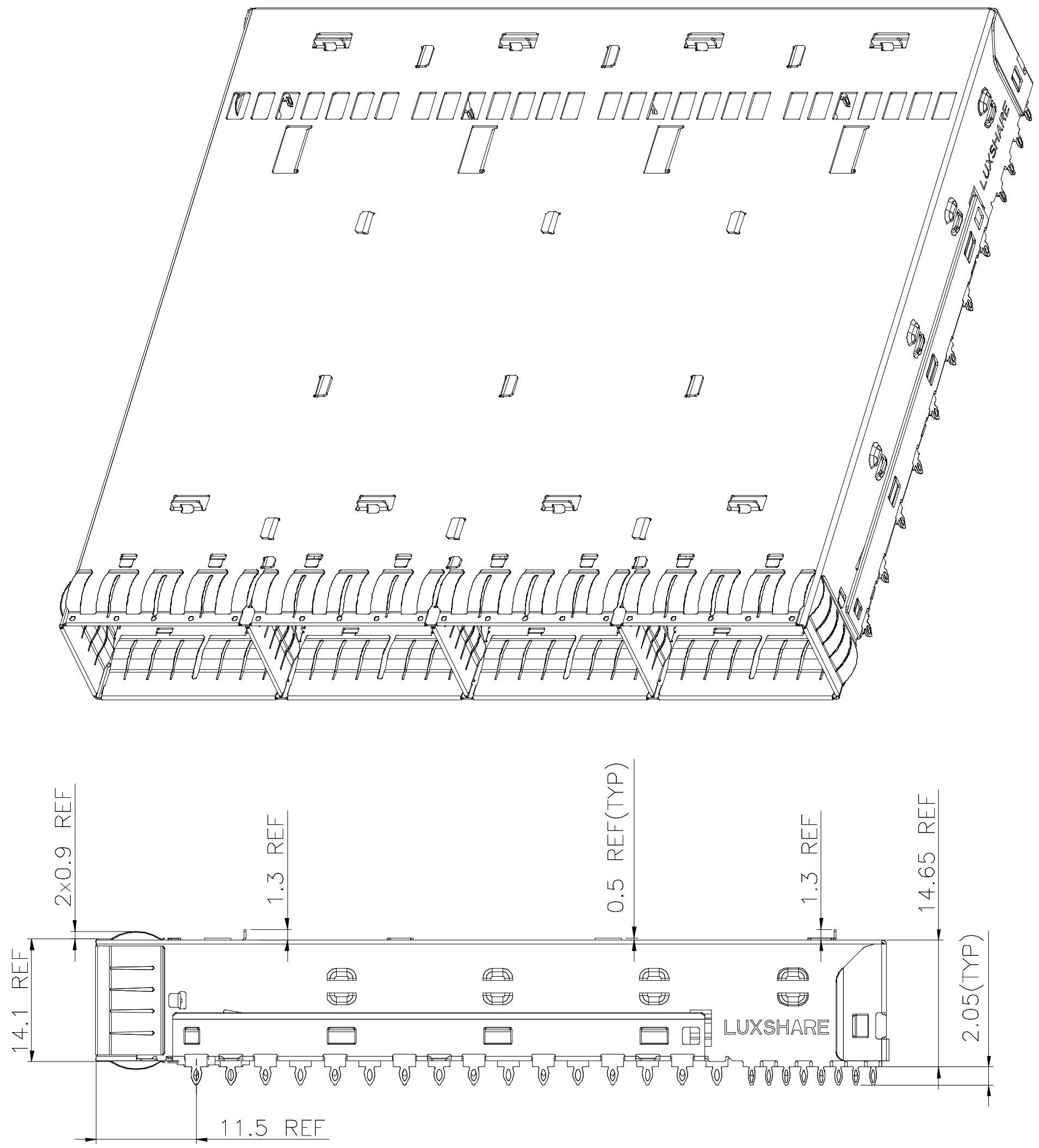
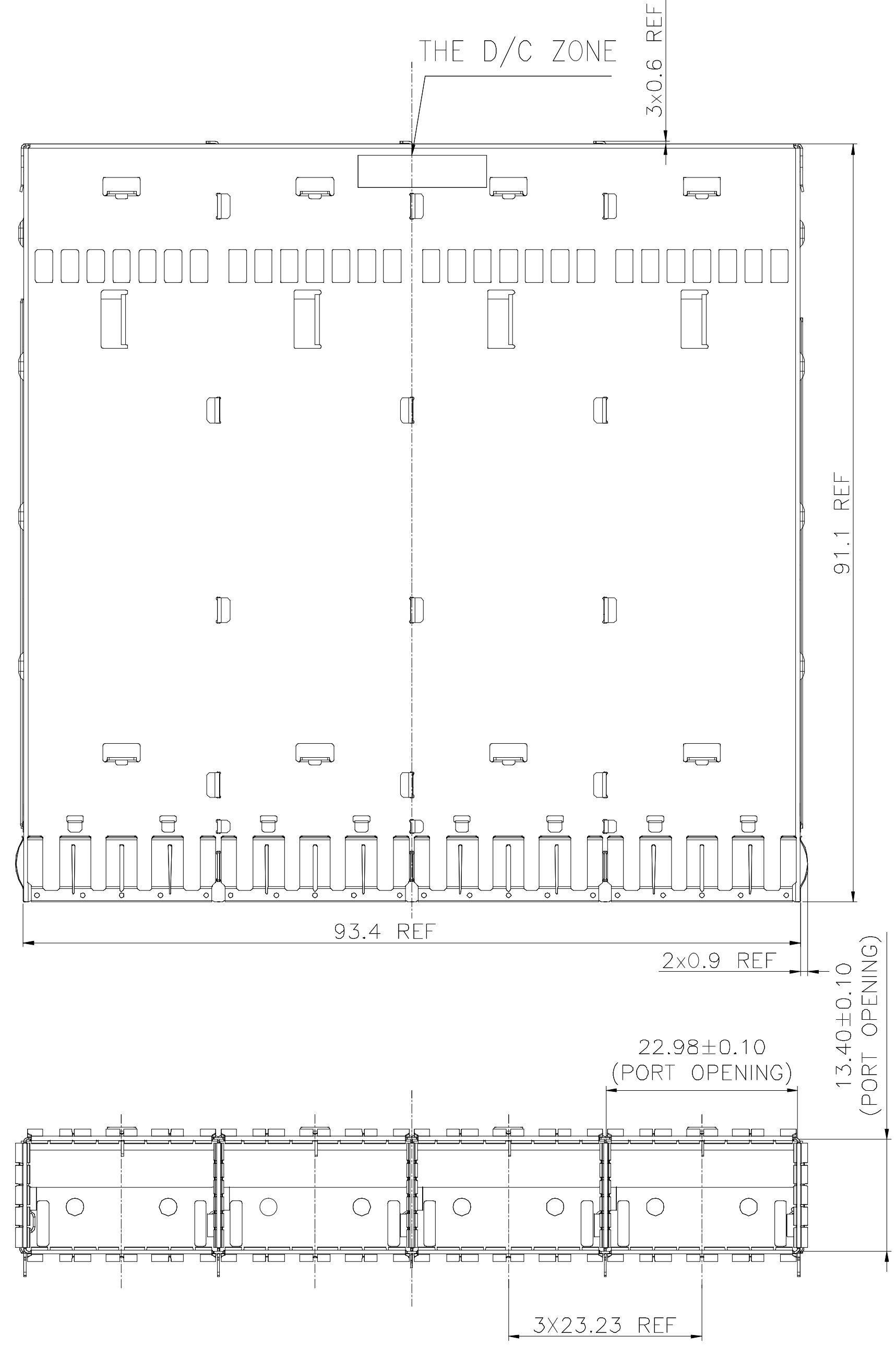


1 2 3 4 5 6 7 8

REV.	DESCRIPTION OF CHANGE	REVIEWED BY	ISSUE DATE
A	FIRST ISSUE	JULY	2024-03-11

NOTES:  
 1.MATERIAL:  
 CAGE ASSEMBLY: STAINLESS STELL.  
 EMI SPRING: COPPER ALLOY  
 2.FINISH:  
 CAGE ASSEMBLY: NICKEL PLATED  
 EMI SPRING: NICKEL PLATED  
 3.MINIMUM PC BOARD THICKNESS:  
 SINGLES SIDED:1.57 MIN.  
 DOUBLE SIDED: 2.2 MIM.  
 4.DATE CODE APPROXIMATELY MARKED IN THIS AREA.  
 5.THIS PART MEETS THE RESTRICTION OF HAZARDOUS  
 SUBSTANCES IN ELECTRICAL AND ELECTRONIC EQUIPMENT  
 (ROHS&HF) DIRECTIVE (2011/65/EU).



TITLE OSFP 1X4 CAGE WITH EMI SPRING FINGER			LINK-PP INT'L TECHNOLOGY CO., LIMITED				
PART NO. LP14SC01000			GENNERAL TOLERANCE			UNIT: MM	SIZE: A4
APPROVE	CHECK	DRAW	.X±0.25	.X±1°	SCALE: 1:1	SHEET: 1/4	REV: A
JULY	Kevi n	Kevi n	.XX±0.15	.XX±5°			
			.XXX±0.10				

1 2 3 4 5 6 7 8

H  
G  
F  
E  
D  
C  
B  
A

H  
G  
F  
E  
D  
C  
B  
A

1 2 3 4 5 6 7 8

H

H

G

G

F

F

E

E

D

D

C

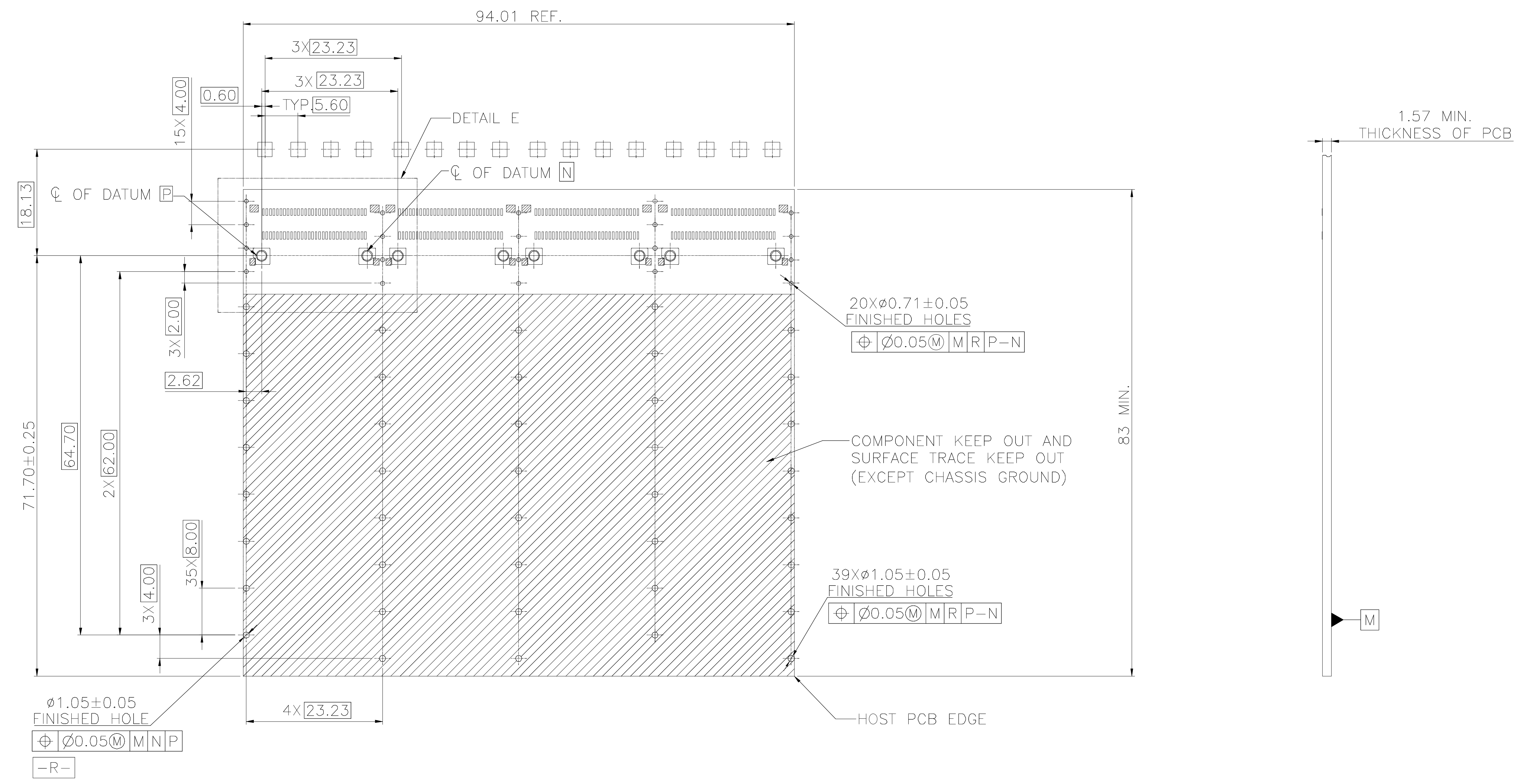
C

B

B

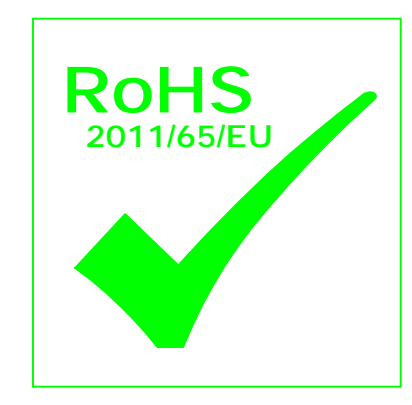
A

A

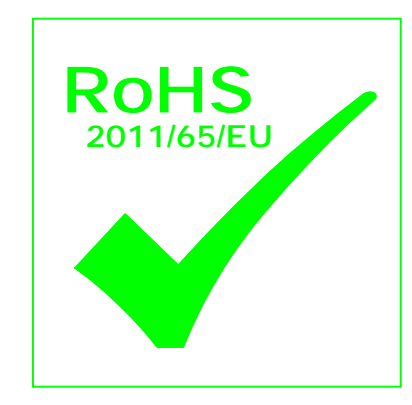
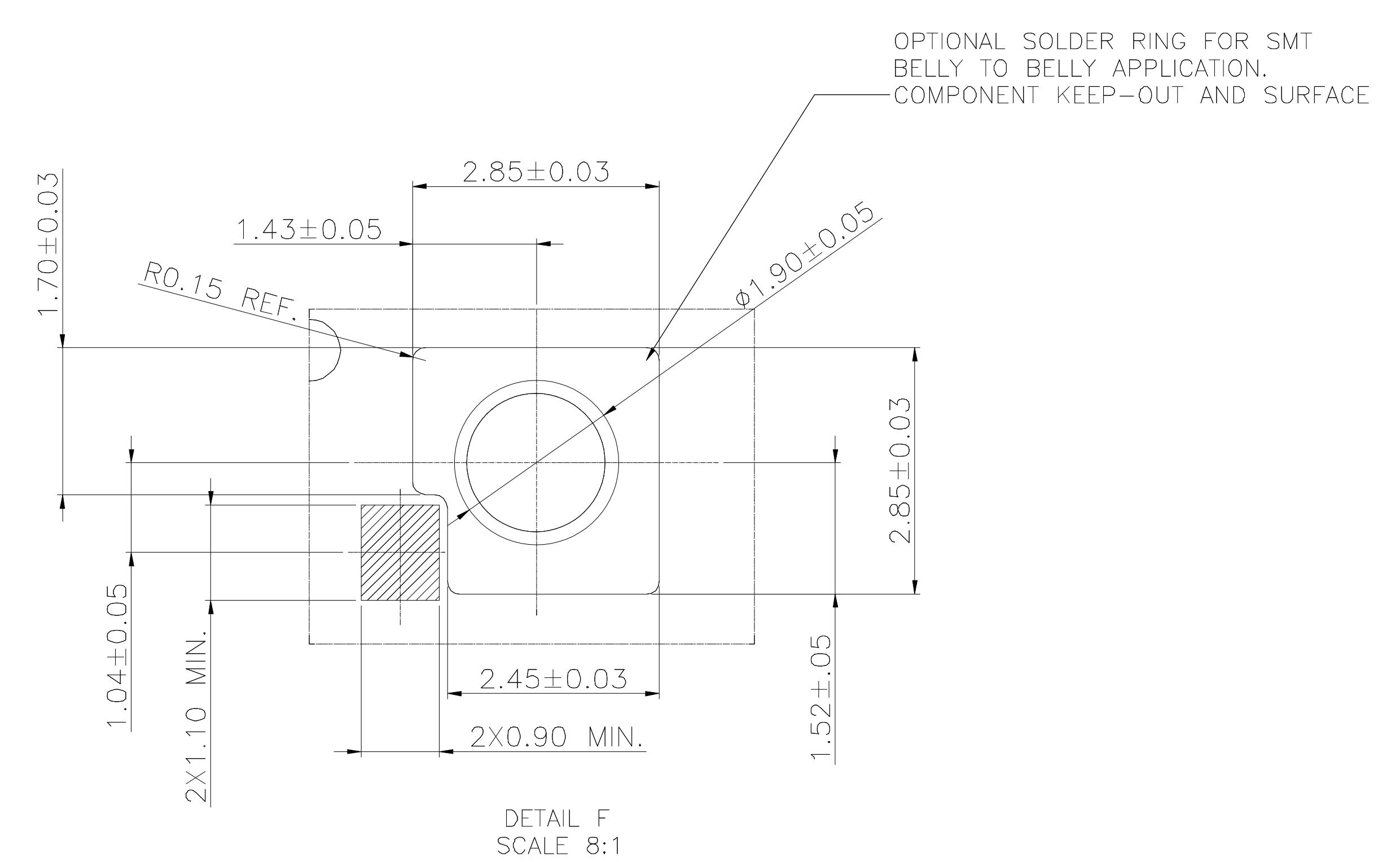
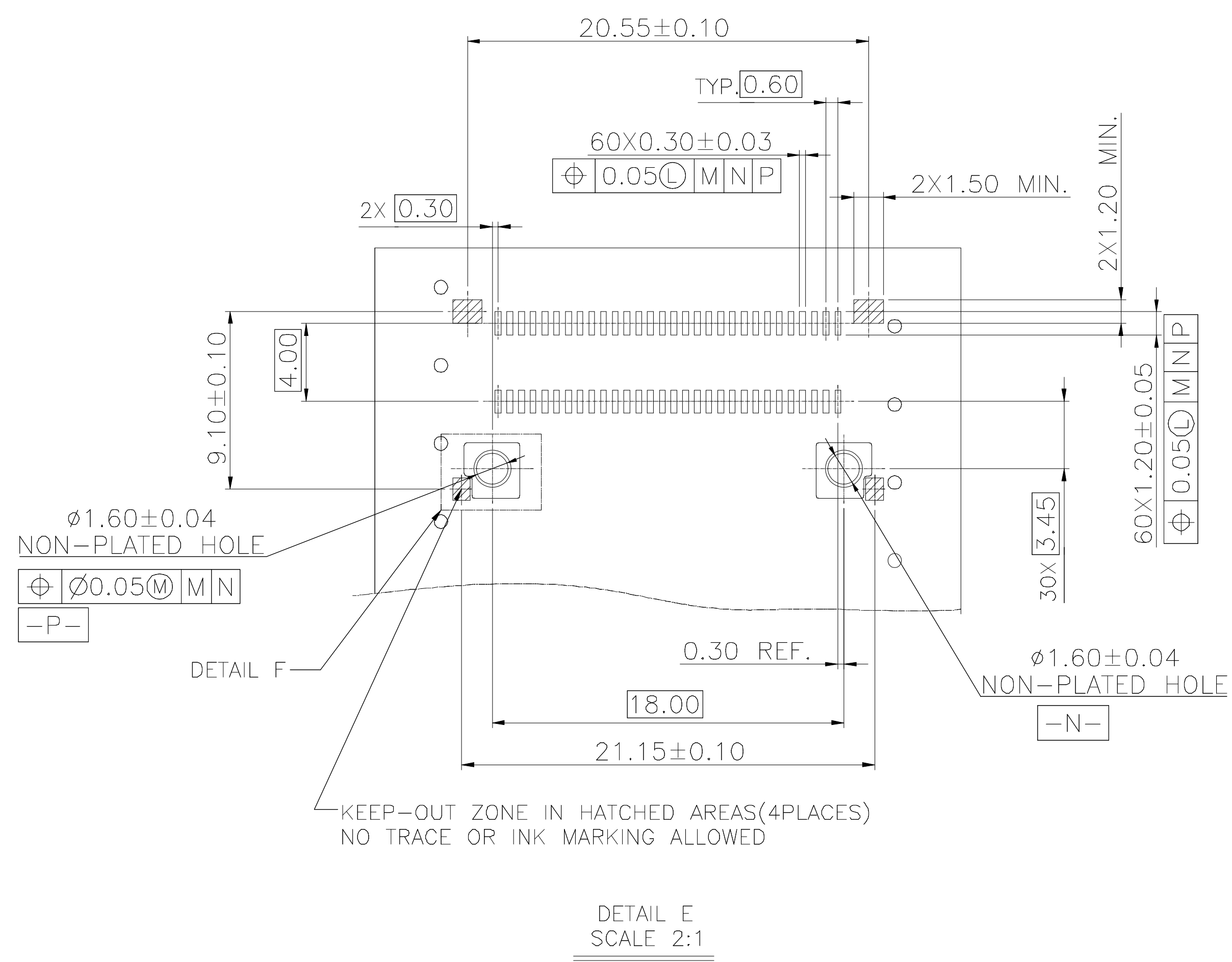


RECOMMENDED PCB LAYOUT FOR SINGLE SIDE MOUNT  
(INCULD PEPC14-E000-100-0R POSITION)

TITLE OSFP 1X4 CAGE WITH EMI SPRING FINGER			LINK-PP INT'L TECHNOLOGY CO., LIMITED			
PART NO. LP14SC01000			GENERAL TOLERANCE		UNIT: MM	SIZE: A4
APPROVE	CHECK	DRAW	.X ± 0.25	.X ± 1°	SCALE: 1:1	SHEET: 2/4
JULY	Kevin	Kevin	.XX ± 0.15	.XX ± 5°		
			.XXX ± 0.10			
						REV: A



1 2 3 4 5 6 7 8

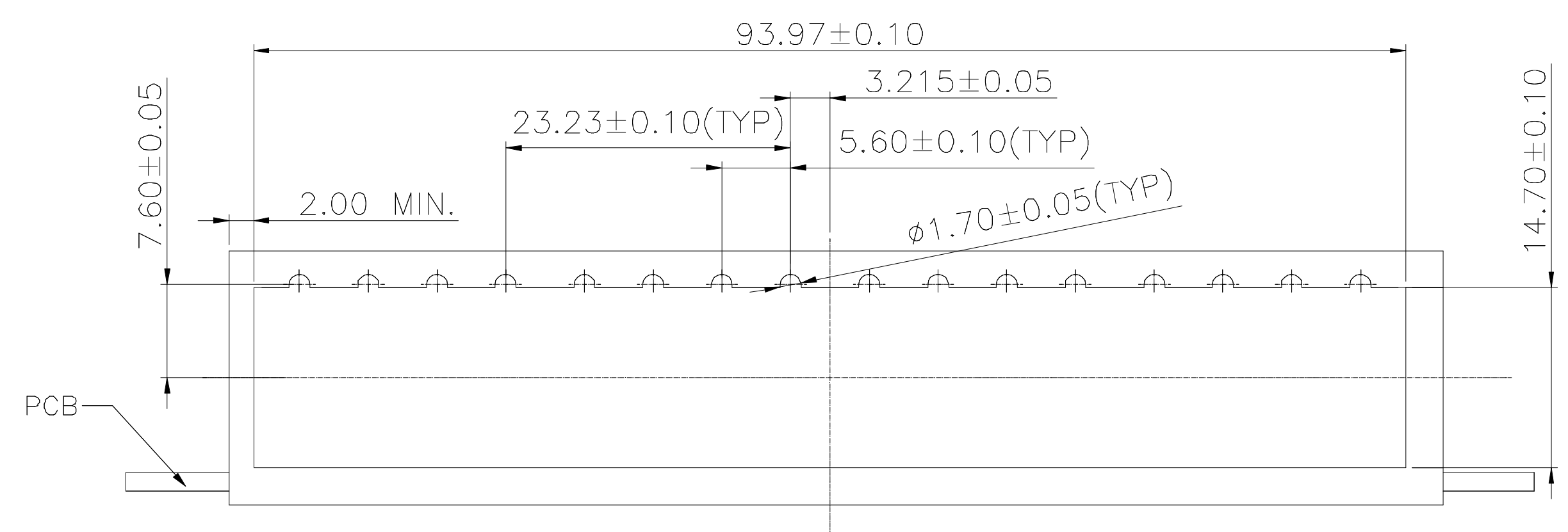


TITLE OSFP 1X4 CAGE WITH EMI SPRING FINGER			LINK-PP INT'L TECHNOLOGY CO., LIMITED			
PART NO. LP14SC01000			GENERAL TOLERANCE		UNIT: MM	SIZE: A4
APPROVE	CHECK	DRAW	.X±0.25	.X±1°	SCALE: 1:1	SHEET: 3/4
JULY	Kevin	Kevin	.XX±0.15	.XX±5°		
			.XXX±0.10			
						REV: A

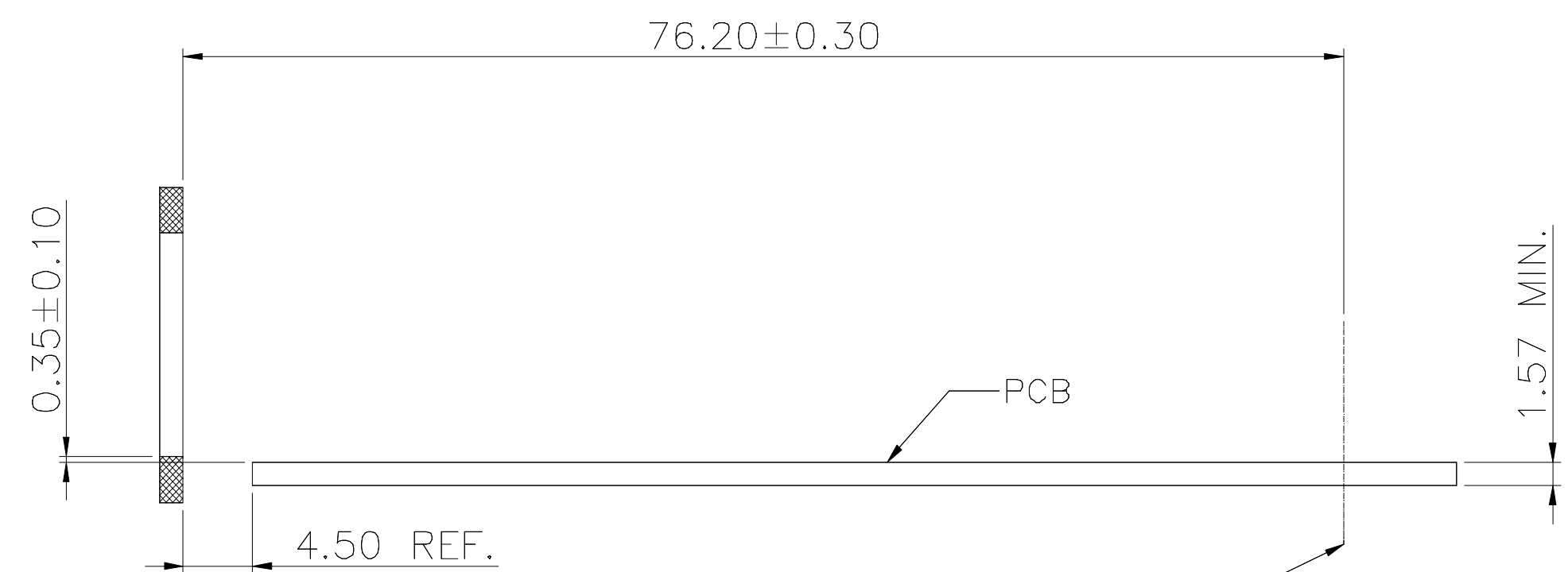
1 2 3 4 5 6 7 8

H  
G  
F  
E  
D  
C  
B  
A

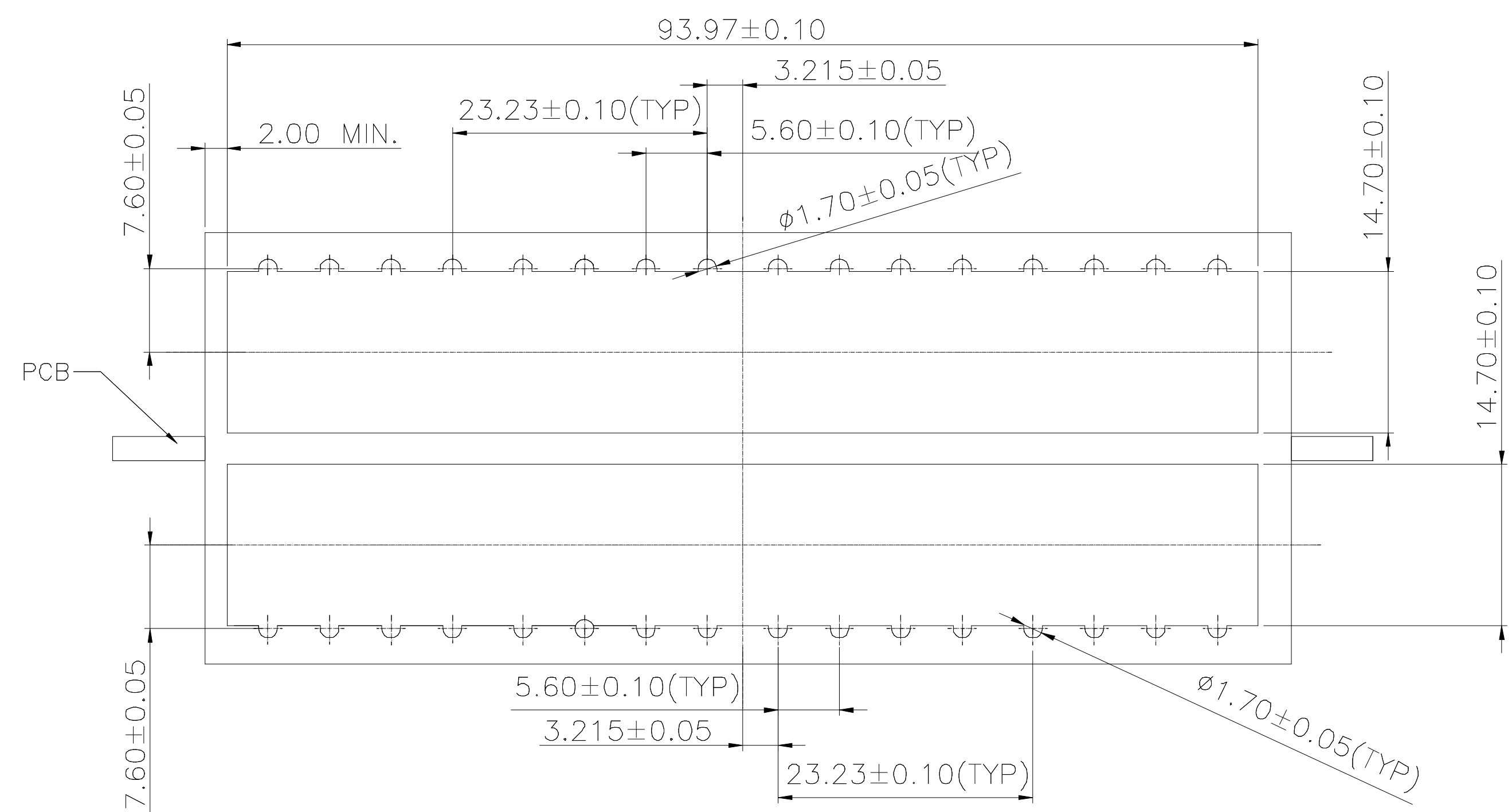
H  
G  
F  
E  
D  
C  
B  
A



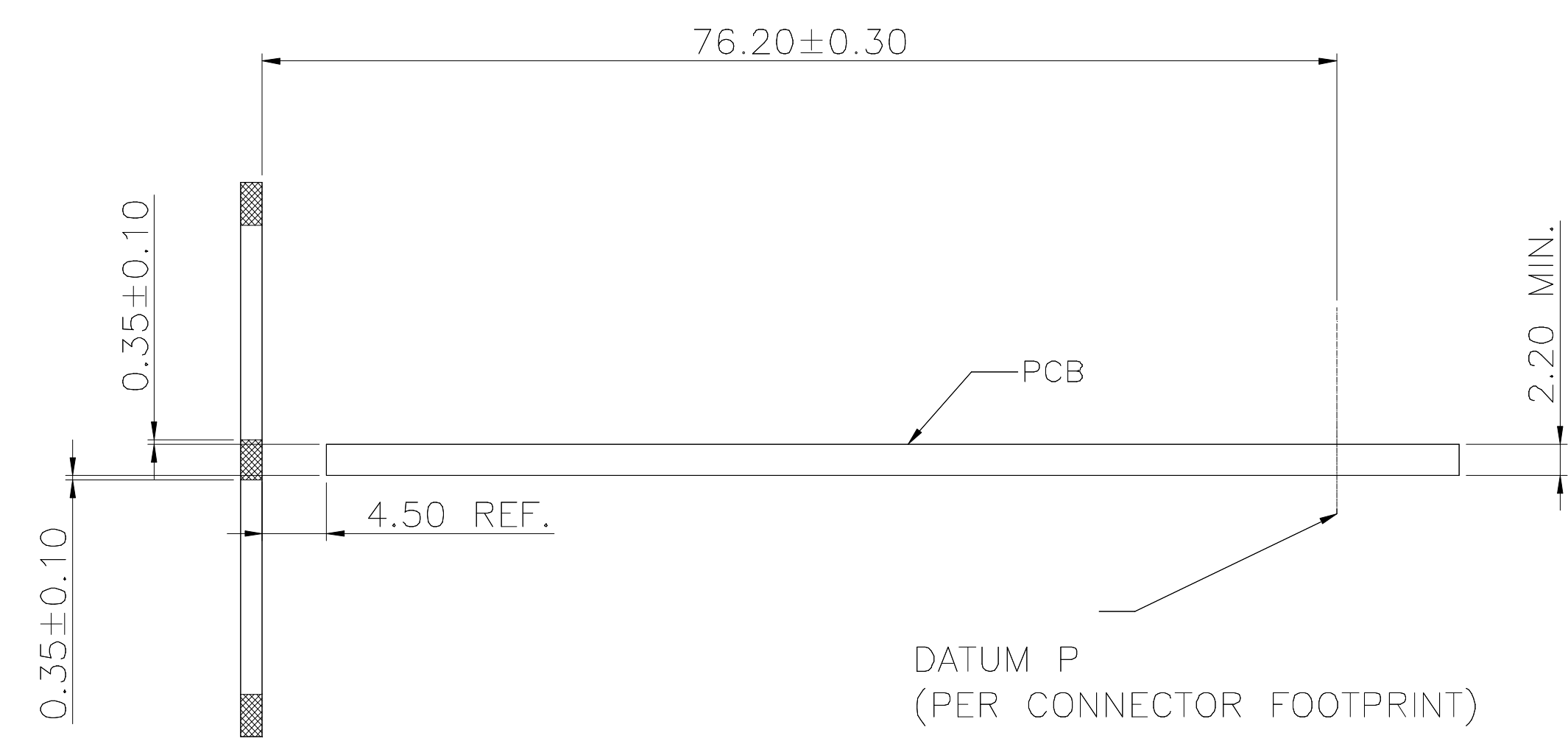
BEZEL LAYOUT FOR SINGLE SIDE MOUNTING  
(INCLD PEPC14-E000-100-0R POSITION)



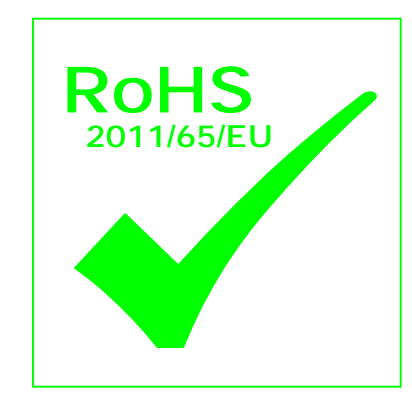
DATUM P  
(PER CONNECTOR FOOTPRINT)



BEZEL LAYOUT FOR BELLY TO BELLY MOUNTING  
(INCLD PEPC14-E000-100-0R POSITION)



DATUM P  
(PER CONNECTOR FOOTPRINT)



TITLE OSFP 1X4 CAGE WITH EMI SPRING FINGER			LINK-PP INT'L TECHNOLOGY CO., LIMITED			
PART NO. LP14SC01000			GENERAL TOLERANCE		UNIT: MM	SIZE: A4
APPROVE	CHECK	DRAW	.X±0.25	.X±1°	SCALE: 1:1	SHEET: 4/4
JULY	Kevi n	Kevi n	.XX±0.15	.XX±5°		
			.XXX±0.10			

1 2 3 4 5 6 7 8