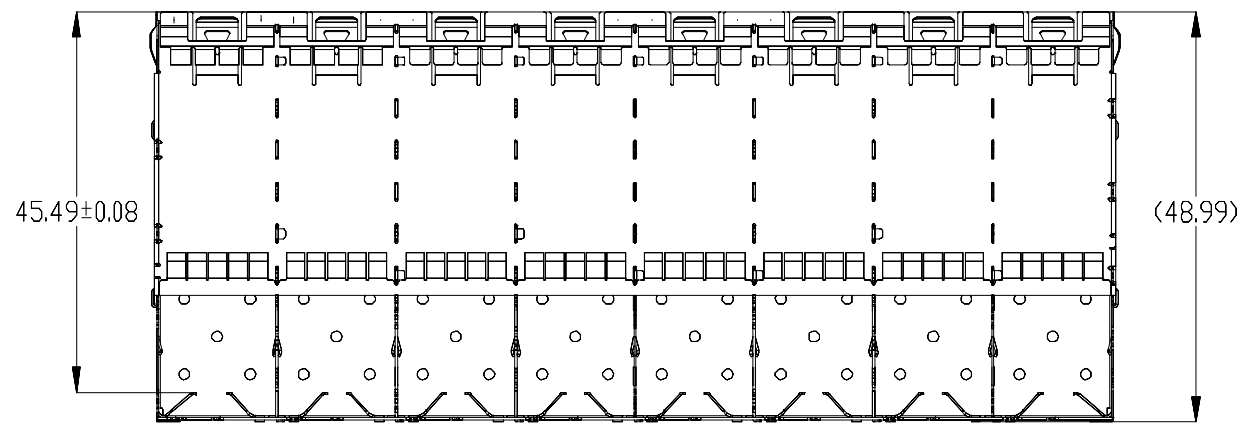
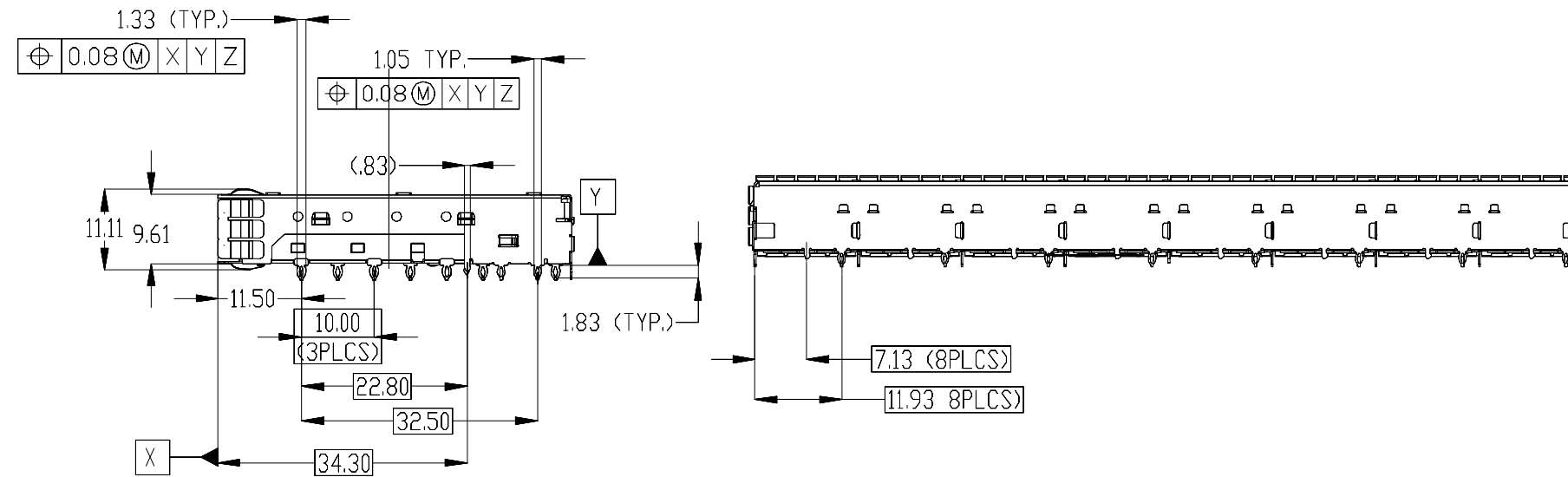
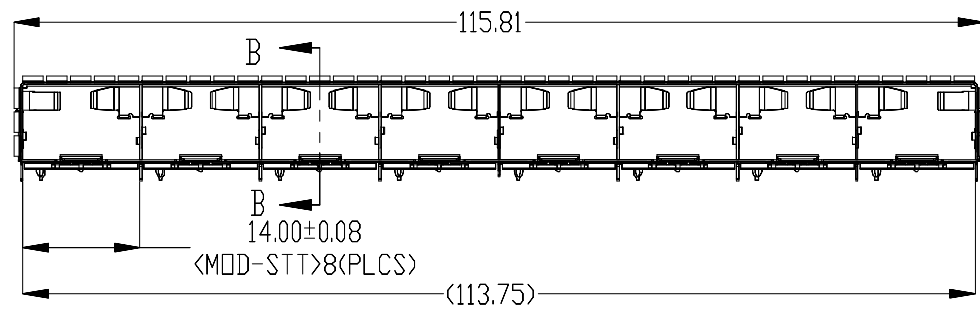
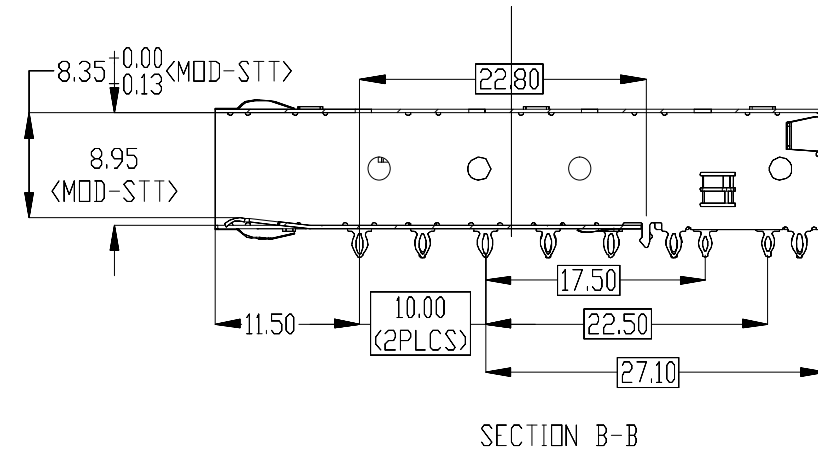
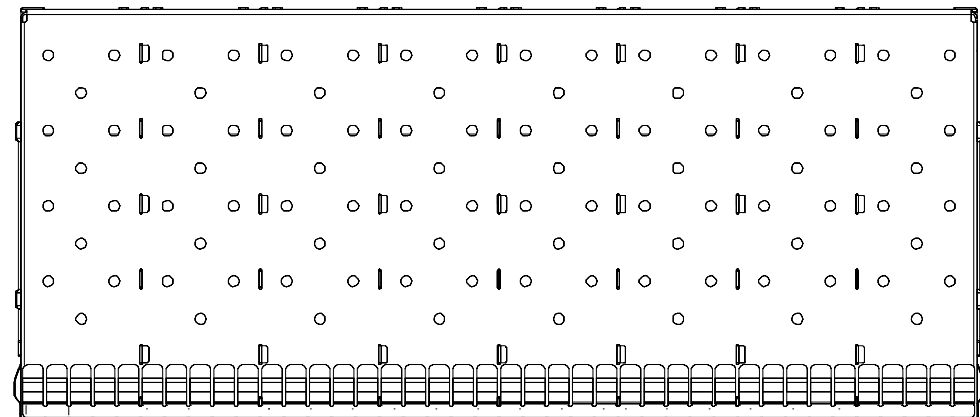


REV	DESCRIPTION OF CHANGE	REVIEWED BY	ISSUE DATE
A	FIRST ISSUE	LEO	2022-03-02



NOTE:
MATERIAL:
1. CONTACT: PHOSPHOR BRONZE T=0.20mm.
2. CONNECTOR HOUSING: HIGH TEMPERATURE PLASTIC UL 94V-0. COLOR: BLACK.
3. MOULDED INSERT: HIGH TEMPERATURE PLASTIC UL 94V-0. COLOR:BLACK.
4. CAGE: COPPER ALLOY T=0.25mm.

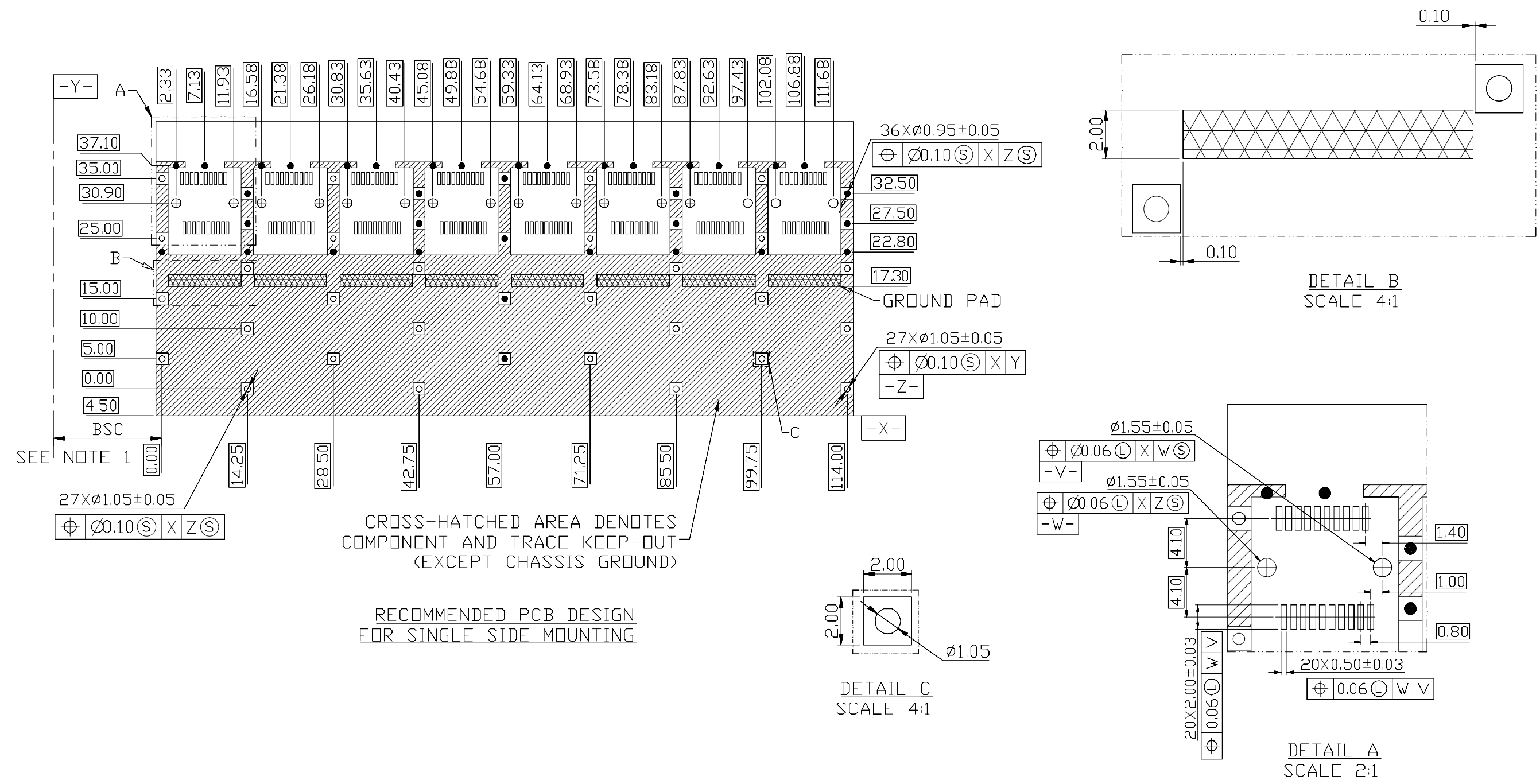
PLATED:
1. CONTACT AREA : PLATING GOLD 0.38 MICROMETERS MINIMUM OVER 1.25~2.54 MICROMETERS NICKEL.
2. CONTACT NEEDLE EYE: 2.54~5.08 MICROMETERS MATTE TIN OVER 1.25~2.54 MICROMETERS NICKEL.

MECHANICAL REQUIREMENT:
1. DURABILITY: 100 CYCLES MINIMUM.
2. INSERTION AND EXTRACTION FORCE: 40N MAX & 11.5N MAX

ENVIRONMENTAL:
1. LOW LEVEL CONTACT RESITANCE(LLCR):
D R 10 MILLIOHMS MAXIMUM FOR SHIELD AND SIGNAL CONTACTS.
2. WITHSTANDING VOLTAGE: 300V AC/MAXIMUM.
3. INSULATION RESISTANCE: 1×10⁹ OHMS MINIMUM.
4. RATINGS CURRENT: 0.5 Amps MAXIMUM.
5. RATINGS VOLTAGE: 120 volts AC.
6. OPERATION: -40°C~+85°C.
7. STORAGE: -55°C~+105°C.
8. ROHS COMPLIANT



TITLE SFP28 1X8 CAGE WITH EMI SPRING FINGER			LINK-PP INT'L TECHNOLOGY CO., LIMITED		
PART NO. LP18CC01000S			GENNERAL TOLERANCE		UNIT:MM SIZE:A4
APPROVE LEO	CHECK JAMES	DRAW JAMES	X±0.20 XX±0.15 XXX±0.10	X±1° XX±5°	SCALE:1:1 SHEET:1/2 REV:A



NOTE:
 1.DATUM AND BASIC DIMENSION ESTABLISHED BY CUSTOMER.
 2.PADS AND VIAS ARE CHASSIS GROUND.
 3.THROUGH-HOLES, PLATING OPTIONAL.



TITLE SFP28 1X8 CAGE WITH EMI SPRING FINGER			LINK-PP INT'L TECHNOLOGY CO., LIMITED		
PART NO. LP18CC01000S			GENNERAL TOLERANCE		UNIT:MM
APPROVE	CHECK	DRAW	° X±0.20	° X±1°	SIZE:A4
LEO	JAMES	JAMES	° XX±0.15	° XX±5°	SHEET:2/2
			° XXX±0.10	SCALE:1:1	REV:A