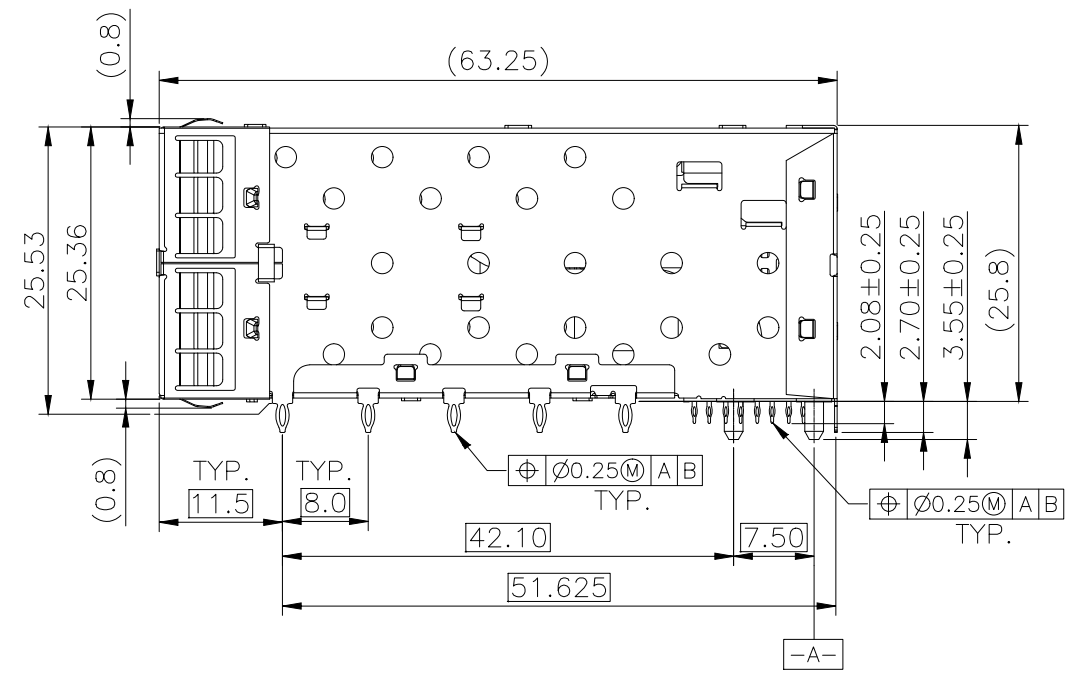
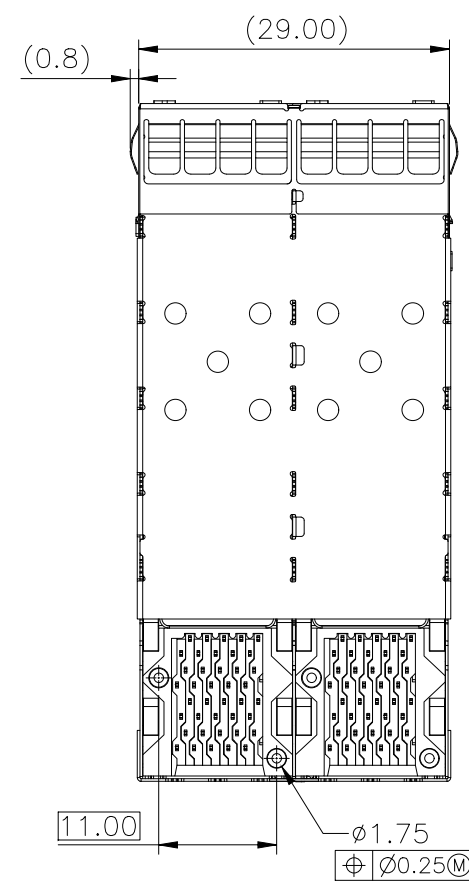
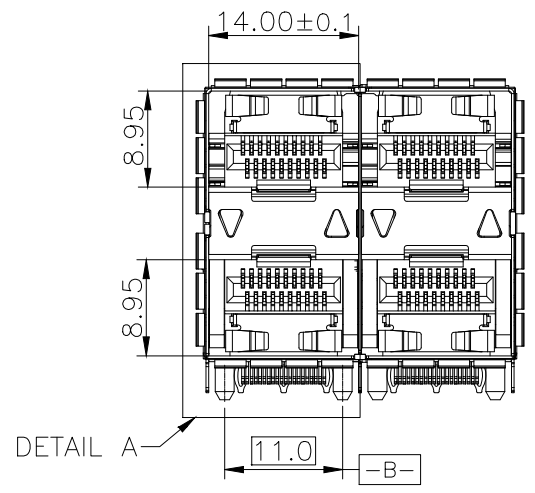


REV	DESCRIPTION OF CHANGE	REVIEWED BY	ISSUE DATE
A	FIRST ISSUE	LEO	2021-09-11

NOTES:

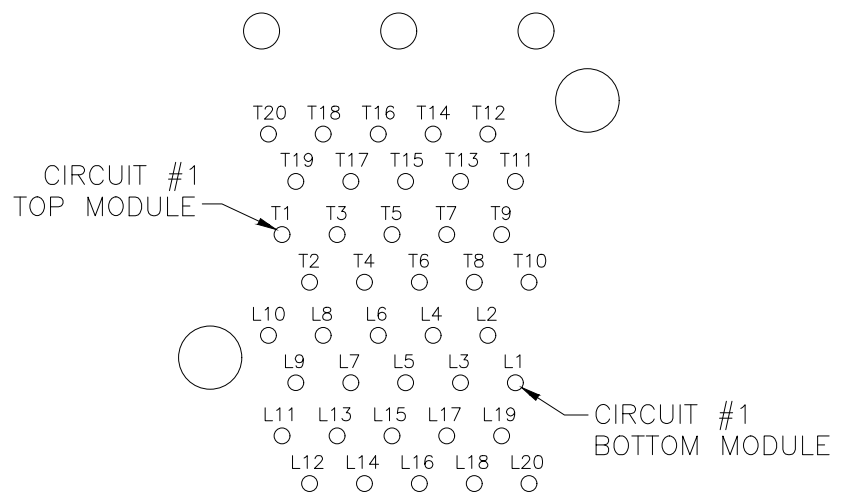
MATERIAL:  
 CAGE: COPPER ALLOY 30 $\mu$ " MIN NI-PLATED, THICKNESS 0.25 MM  
 CONNECTOR:  
 PLASTIC HOUSING: HIGH TEMPERATURE LCP, UL94 V-0.  
 LIGHT PIPE: POLYCARBONATE; COLOR: CLEAR  
 SPRING: STAINLESS STEEL, THICKNESS 0.20mm  
 CONTACTS: PHOSPHOR BRONZE, THICKNESS 0.20mm  
 PLATING: 30 $\mu$ " MIN. GOLD ON MATING AREA,  
 150 $\mu$ " MIN. MATE TIN ON SOLDER TAILS.  
 PACKAGING: TRAY PACKAGING.  
 OPERATING TEMPERATURE: -40°C TO +85°C  
 STORAGE TEMPERATURE: -55°C TO +105°C



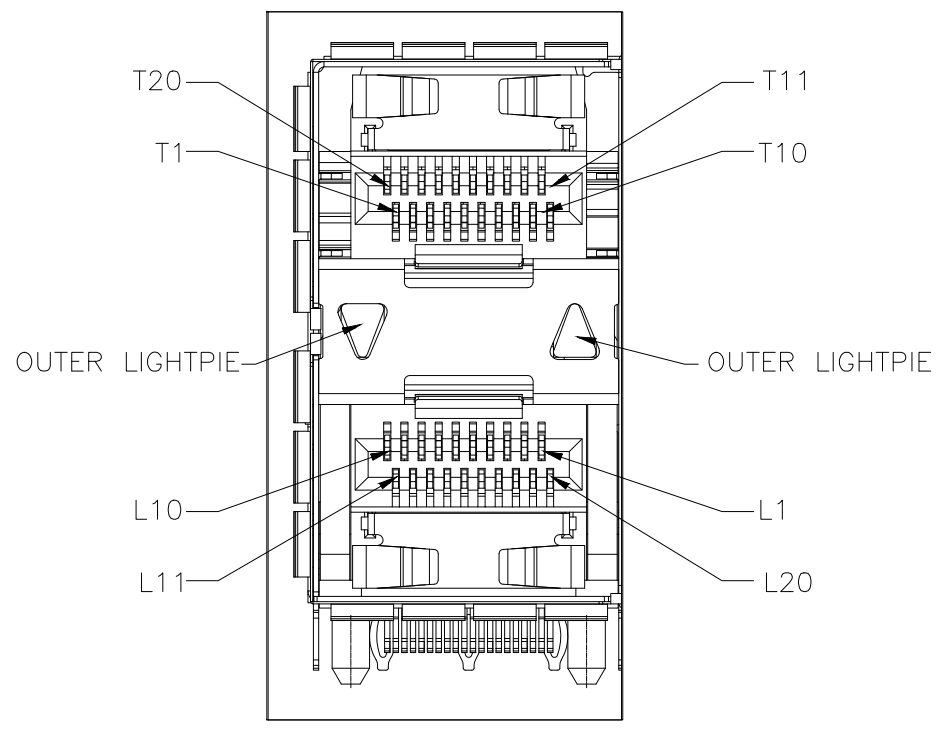
TITLE SFP+ 2x2 CAGE & CONNECTOR WITH EMI SPRING FINGER LIGHT PIPE			LINK-PP INT'L TECHNOLOGY CO., LIMITED			
PART NO. LP22BC01303			GENERAL TOLERANCE		UNIT:MM	SIZE:A4
APPROVE	CHECK	DRAW	◦ X±0.20	◦ X±1°	SCALE:1:1	SHEET:1/4
LEO	JAMES	JAMES	◦ XX±0.15	◦ XX±5°		
			◦ XXX±0.10			
					REV:A	

H  
G  
F  
E  
D  
C  
B  
A

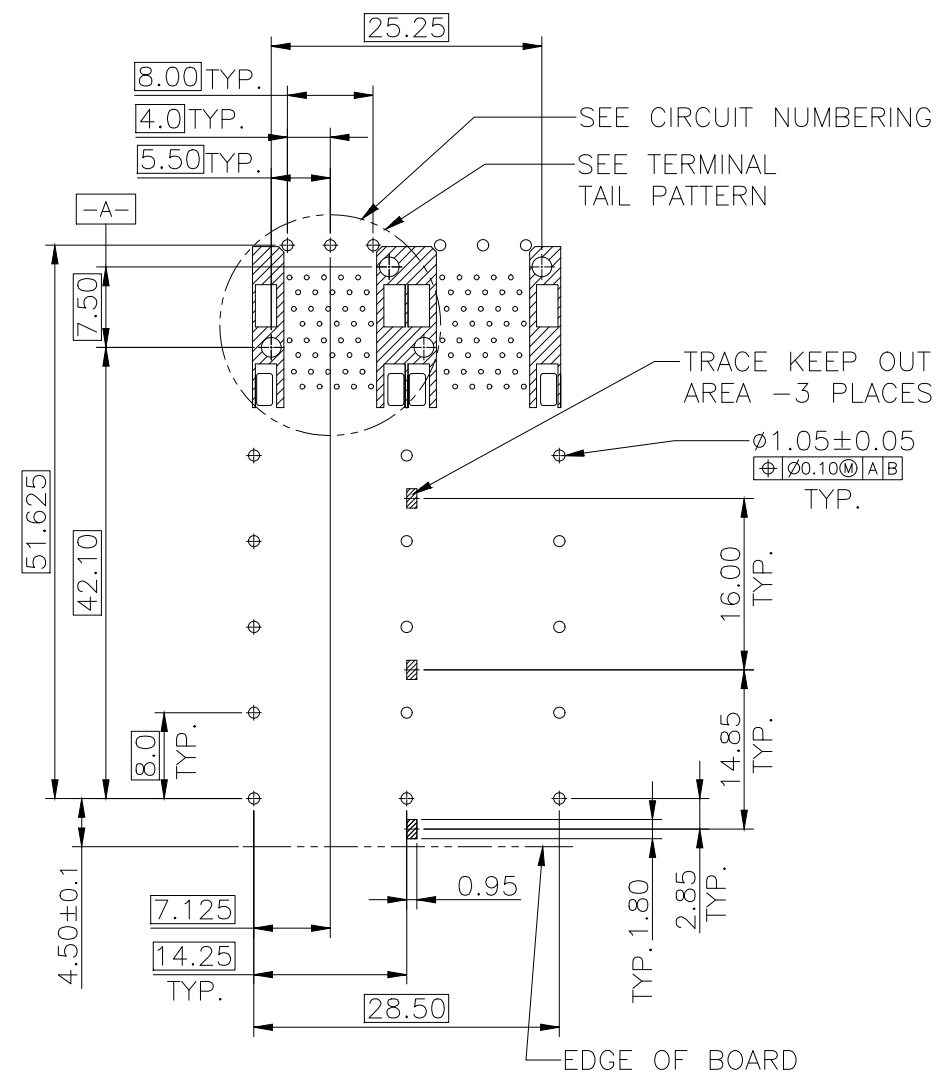
H  
G  
F  
E  
D  
C  
B  
A



CIRCUIT NUMBERING  
COMPONENT SIDE OF BOARD



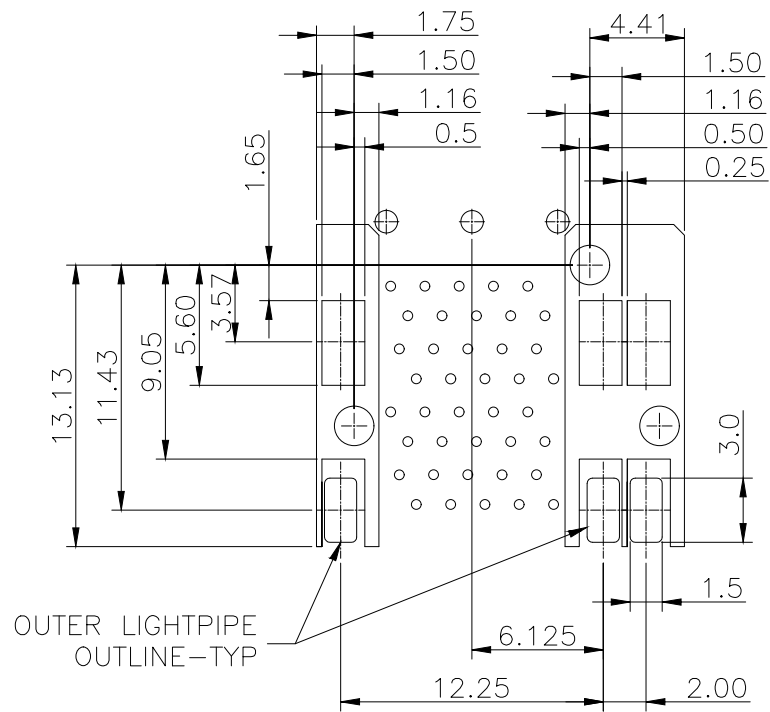
DETAIL A  
CIRCUIT NUMBERING  
AND LIGHTPIE INDENTIFICATION



RECOMMENDED PCB LAYOUT – COMPONENT SIDE  
RECOMMENDED PCB THICKNESS : 2.36MM(.093 INCH)  
(MINIMUM PCB THICKNESS : 1.57)

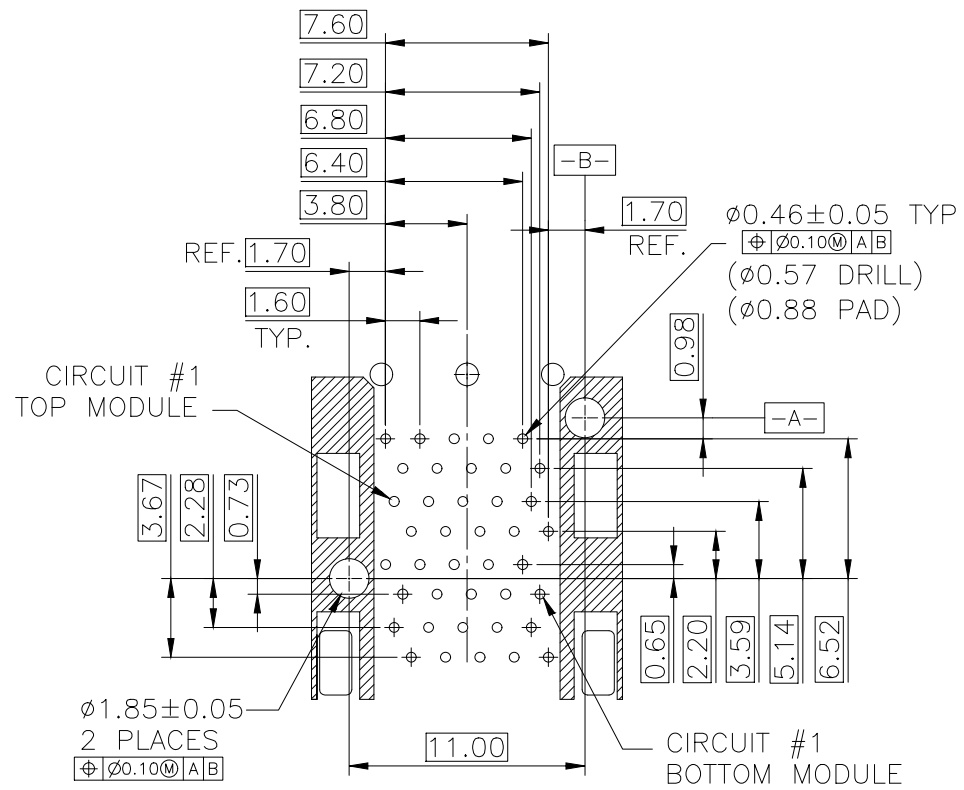
THE ENTIRE AREA OF THE CONNECTOR FOOTPRINT  
TO BE CONSIDERED THE KEEP OUT AREA FOR COMPONENTS  
THIS AREA IS INDICATED BY THE DASHED LINE

TITLE SFP+ 2x2 CAGE & CONNECTOR WITH EMI SPRING FINGER LIGHT PIPE			LINK-PP INT'L TECHNOLOGY CO., LIMITED		
PART NO. LP22BC01303			GENERAL TOLERANCE	UNIT:MM	SIZE:A4
APPROVE	CHECK	DRAW	 SCALE:1:1	SHEET:2/4	REV:A
LEO	JAMES	JAMES			



DETAIL-KEEPOUT ZONES

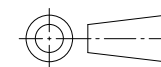
THE HATCHED AREA IN THIS VIEW INDICATES ZONES THAT ARE OCCUPIED BY THE PLASTIC HOUSING THAT SEATS AGAINST THE PCB AND BY THE VERTICAL METAL CAGE WALL THAT STOPS JUST SHORT OF THE PCB



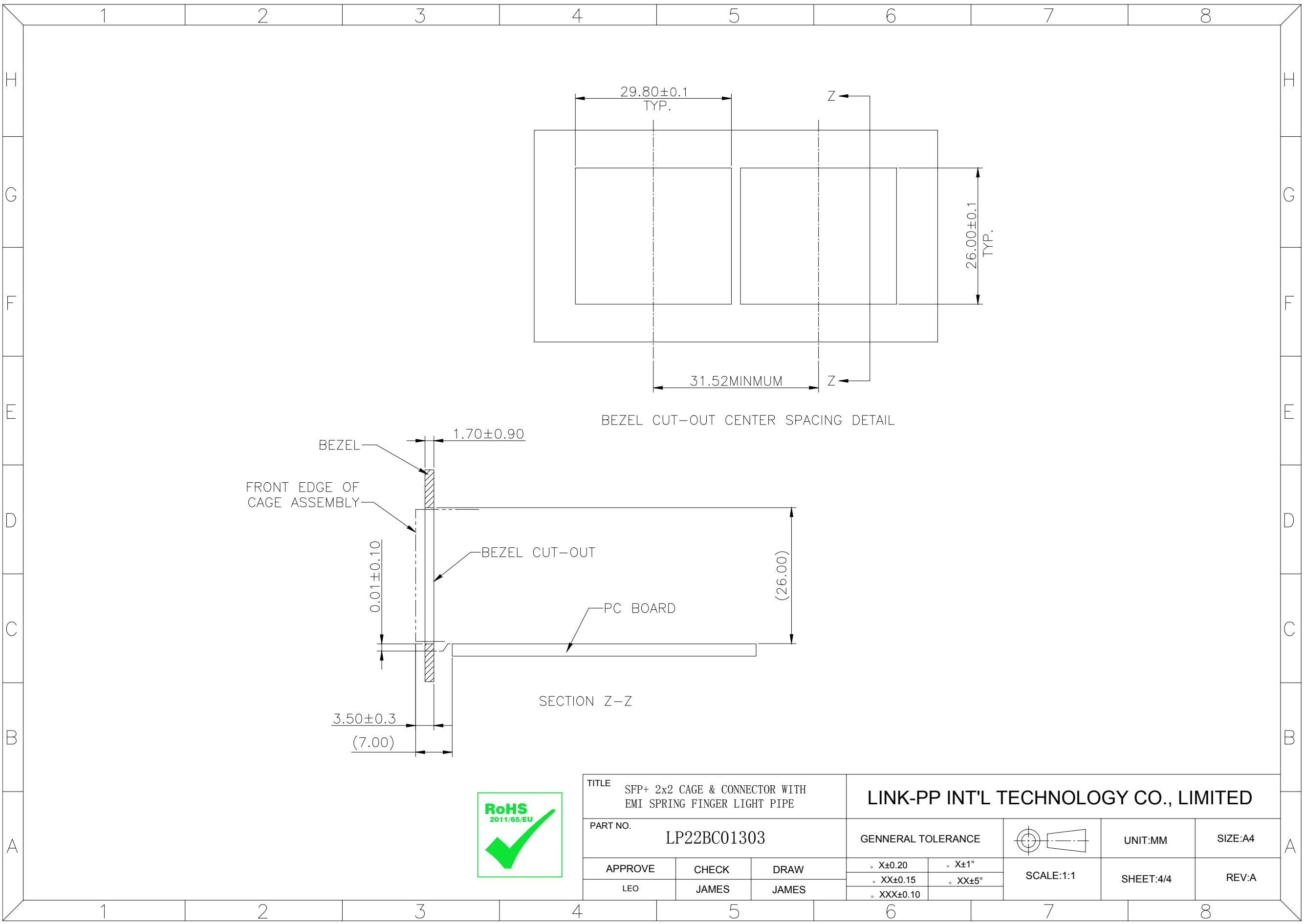
TERMINAL TAIL PATTERN



TITLE SFP+ 2x2 CAGE & CONNECTOR WITH EMI SPRING FINGER LIGHT PIPE			LINK-PP INT'L TECHNOLOGY CO., LIMITED		
PART NO. LP22BC01303			GENNERAL TOLERANCE		UNIT:MM
APPROVE	CHECK	DRAW	◦ X±0.20	◦ X±1°	SIZE:A4
LEO	JAMES	JAMES	◦ XX±0.15	◦ XX±5°	SHEET:3/4
			◦ XXX±0.10		REV:A



SCALE:1:1



BEZEL CUT-OUT CENTER SPACING DETAIL

SECTION Z-Z

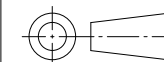


TITLE SFP+ 2x2 CAGE & CONNECTOR WITH EMI SPRING FINGER LIGHT PIPE

LINK-PP INT'L TECHNOLOGY CO., LIMITED

PART NO. LP22BC01303

GENNERAL TOLERANCE



UNIT:MM

SIZE:A4

APPROVE

CHECK

DRAW

◦ X±0.20

◦ X±1°

SCALE:1:1

SHEET:4/4

REV:A

LEO

JAMES

JAMES

◦ XX±0.15

◦ XX±5°

◦ XXX±0.10