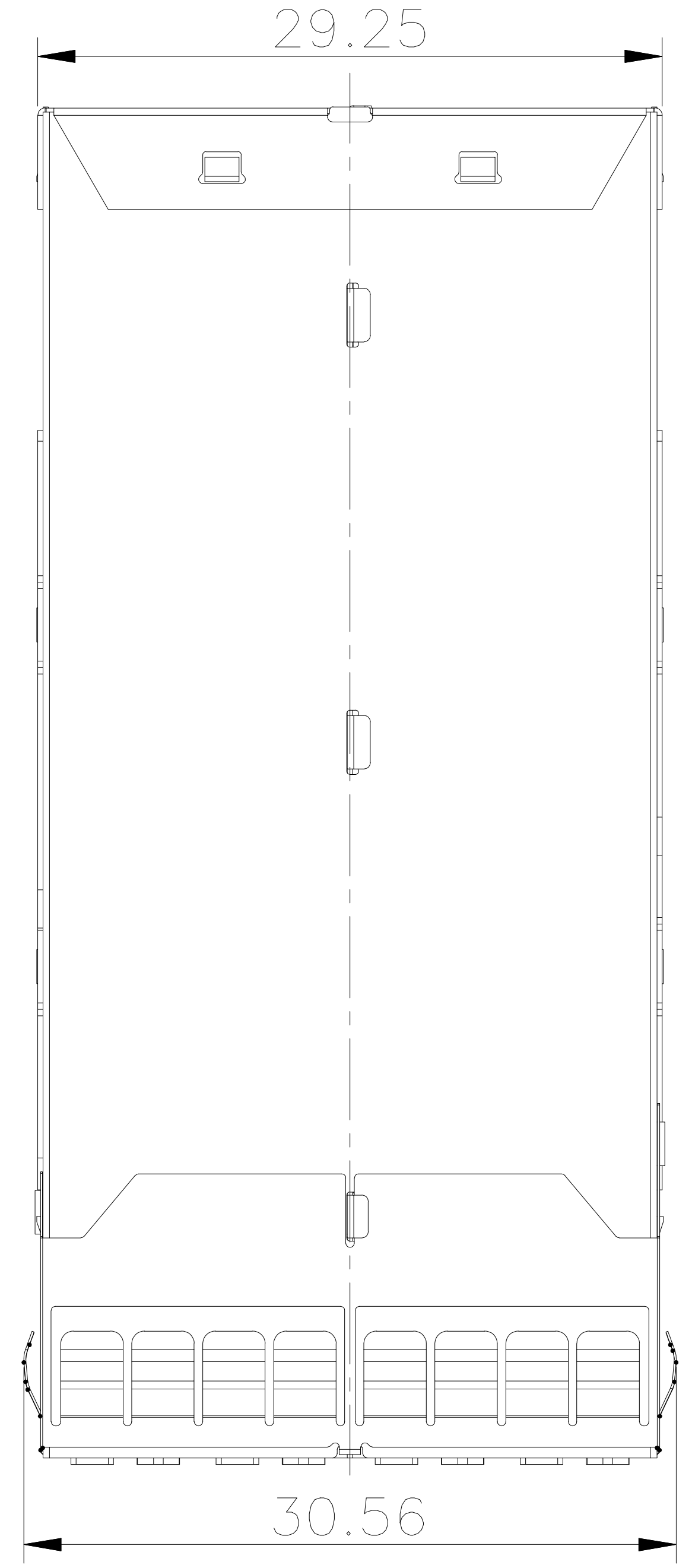
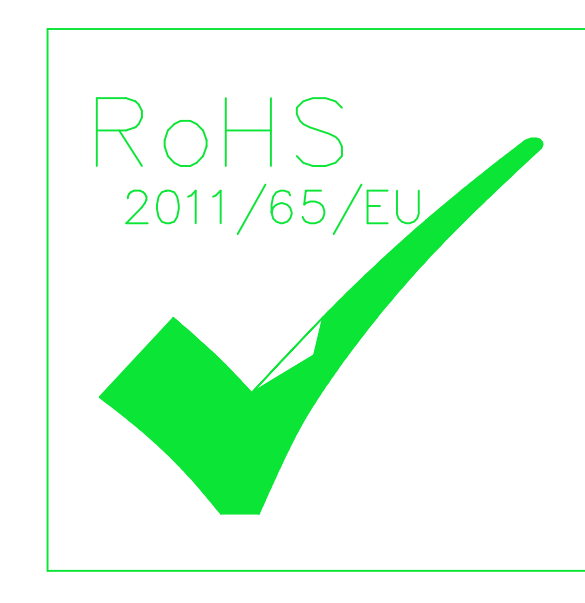
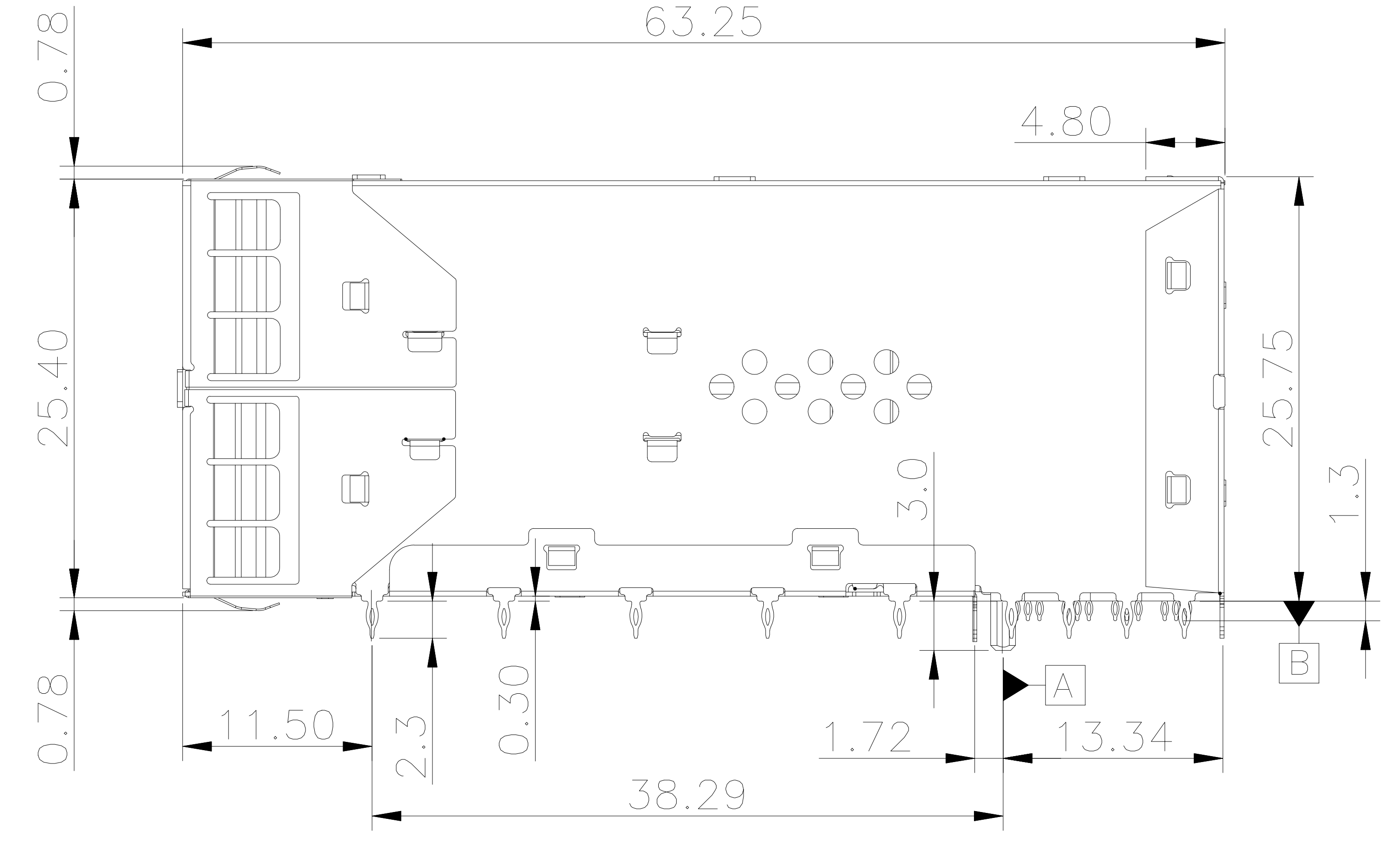
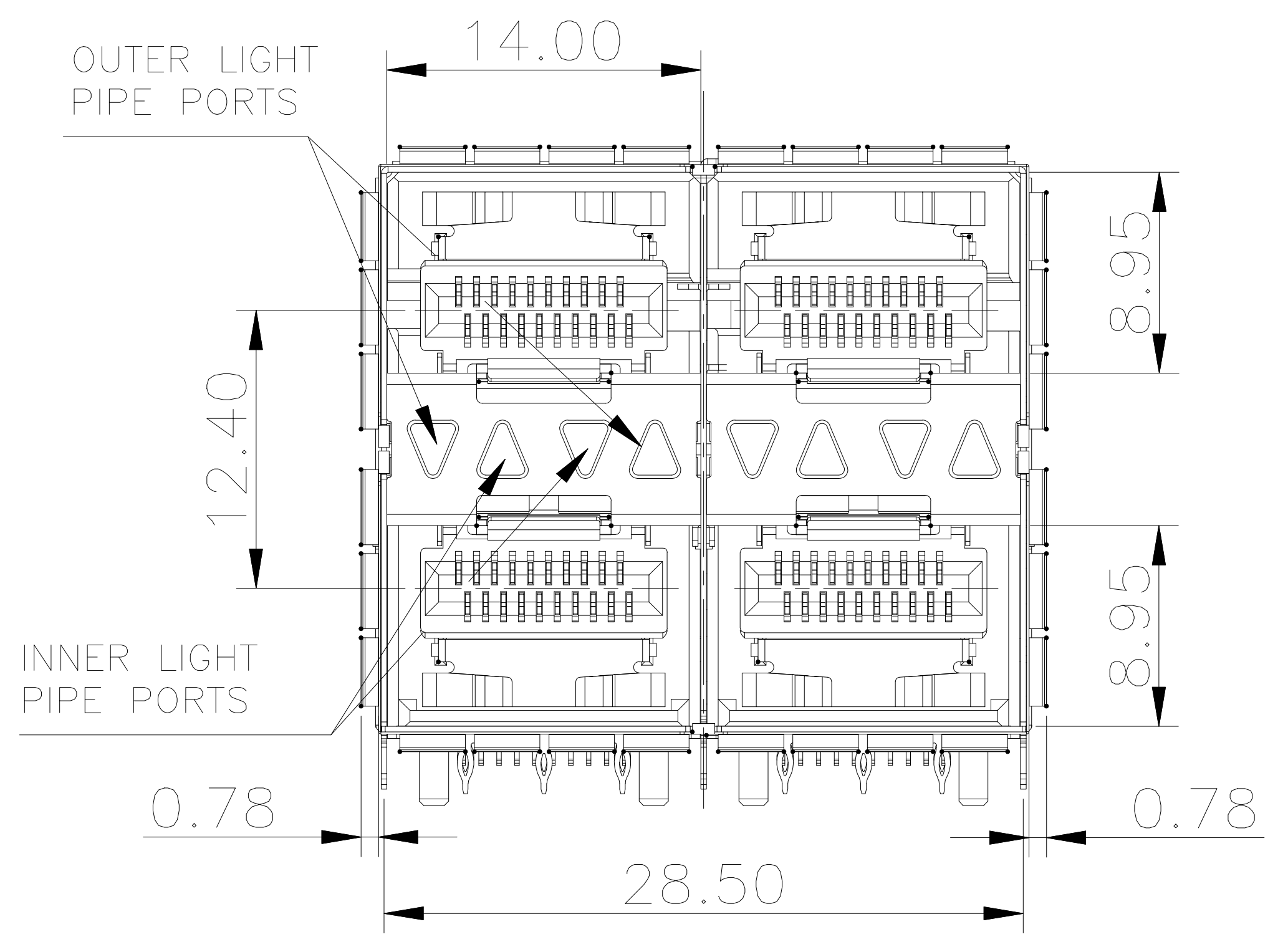


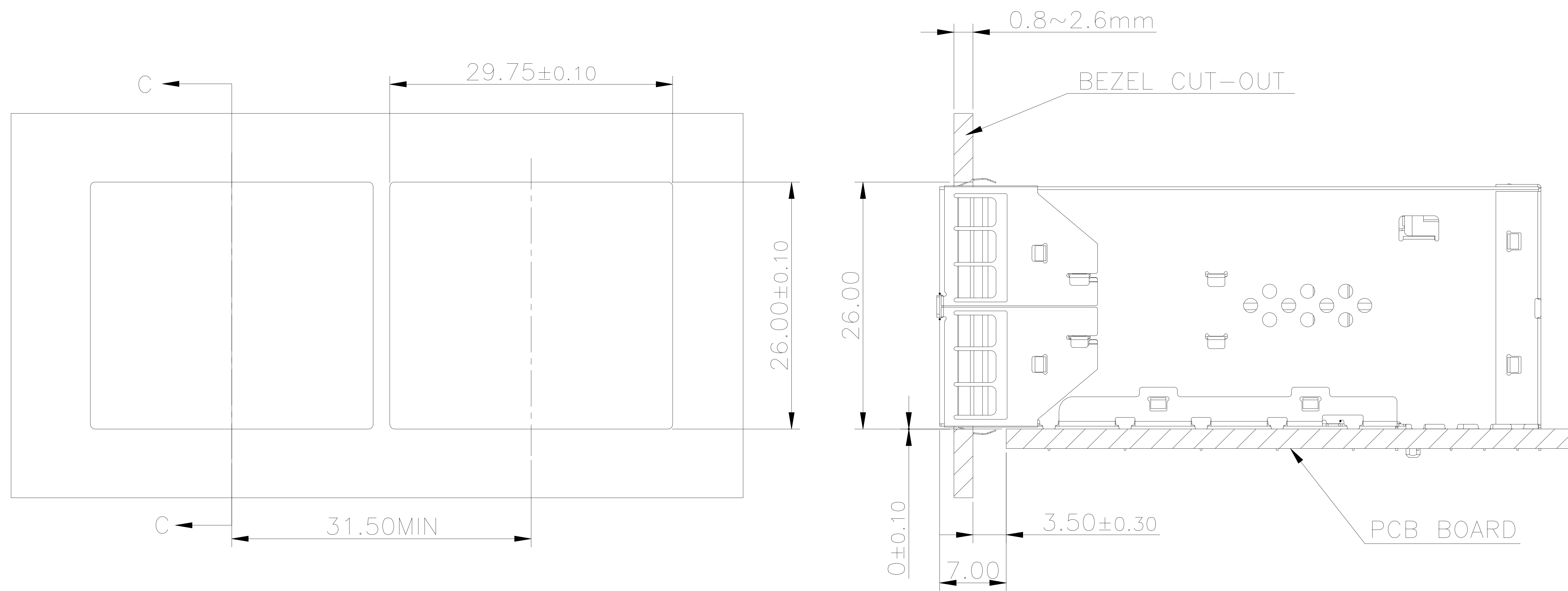
REV	DESCRIPTION OF CHANGE	REVIEWED BY	ISSUE DATE
A	FIRST ISSUE	LEO	2021-09-11



NOTES:
MATERIAL:
CAGE: COPPER ALLOY NI-PLATED, THICKNESS 0.25 MM
CONNECTOR:
PLASTIC HOUSING: HIGH TEMPERATURE LCP, UL94 V-0.
SPRING: STAINLESS STEEL, THICKNESS 0.20mm
LIGHT PIPE: POLYCARBONATE; COLOR: CLEAR
CONTACTS: PHOSPHOR BRONZE, THICKNESS 0.20mm
PLATING: 30 μ " MIN. GOLD ON MATING AREA,
150 μ " MIN. MATE TIN ON SOLDER TAILS.
PACKAGING: TRAY PACKAGING.
TEMPERATURE RANGE: -40°C TO +85°C



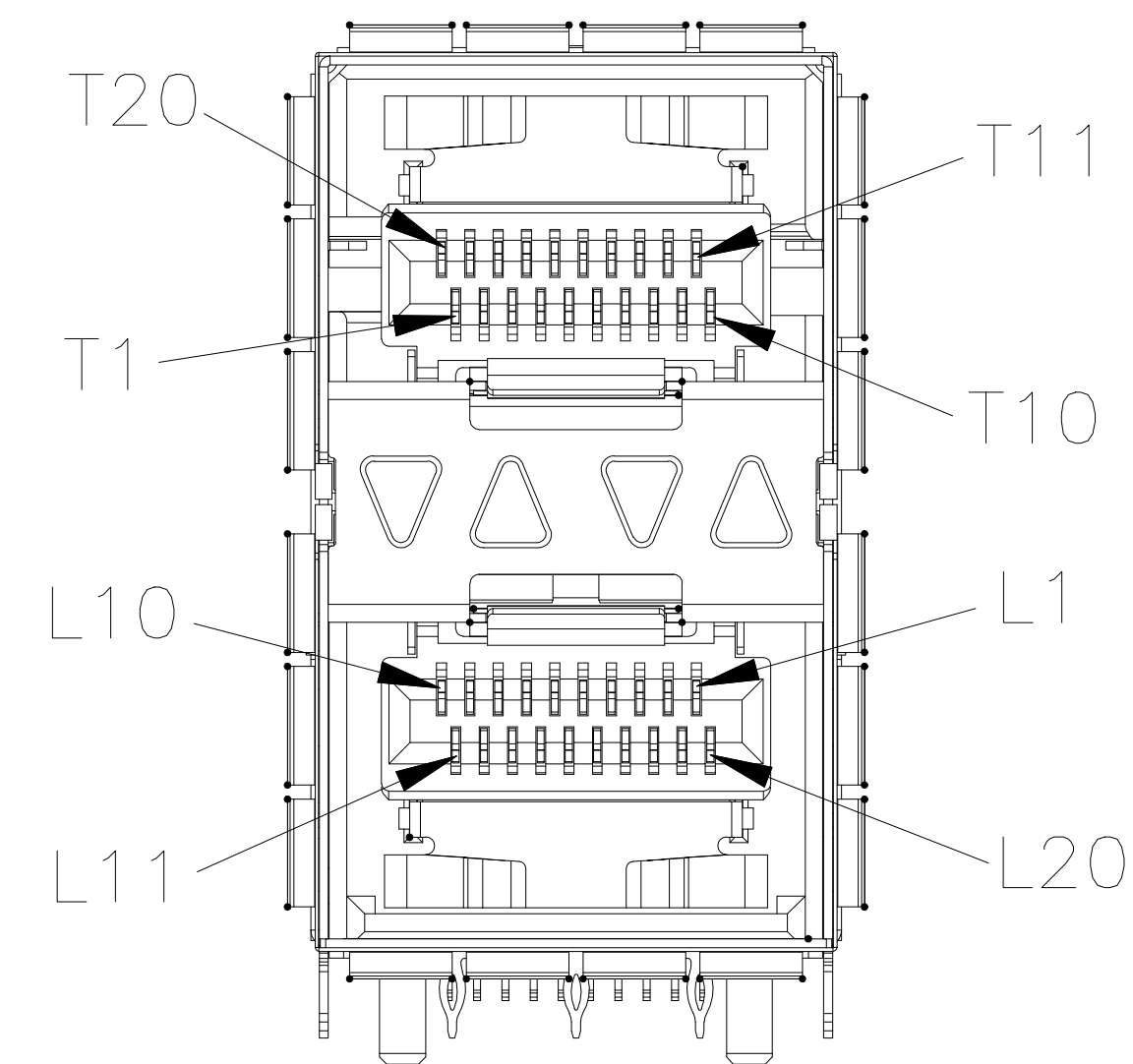
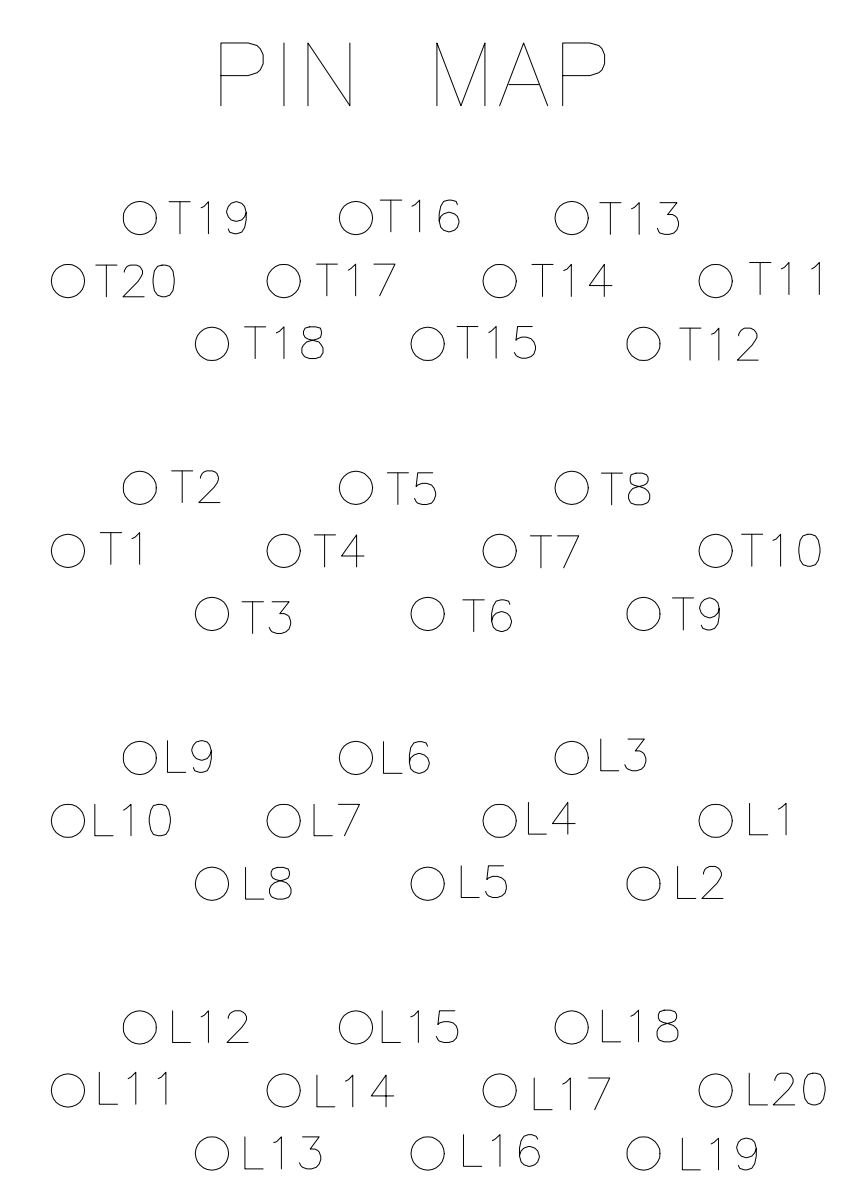
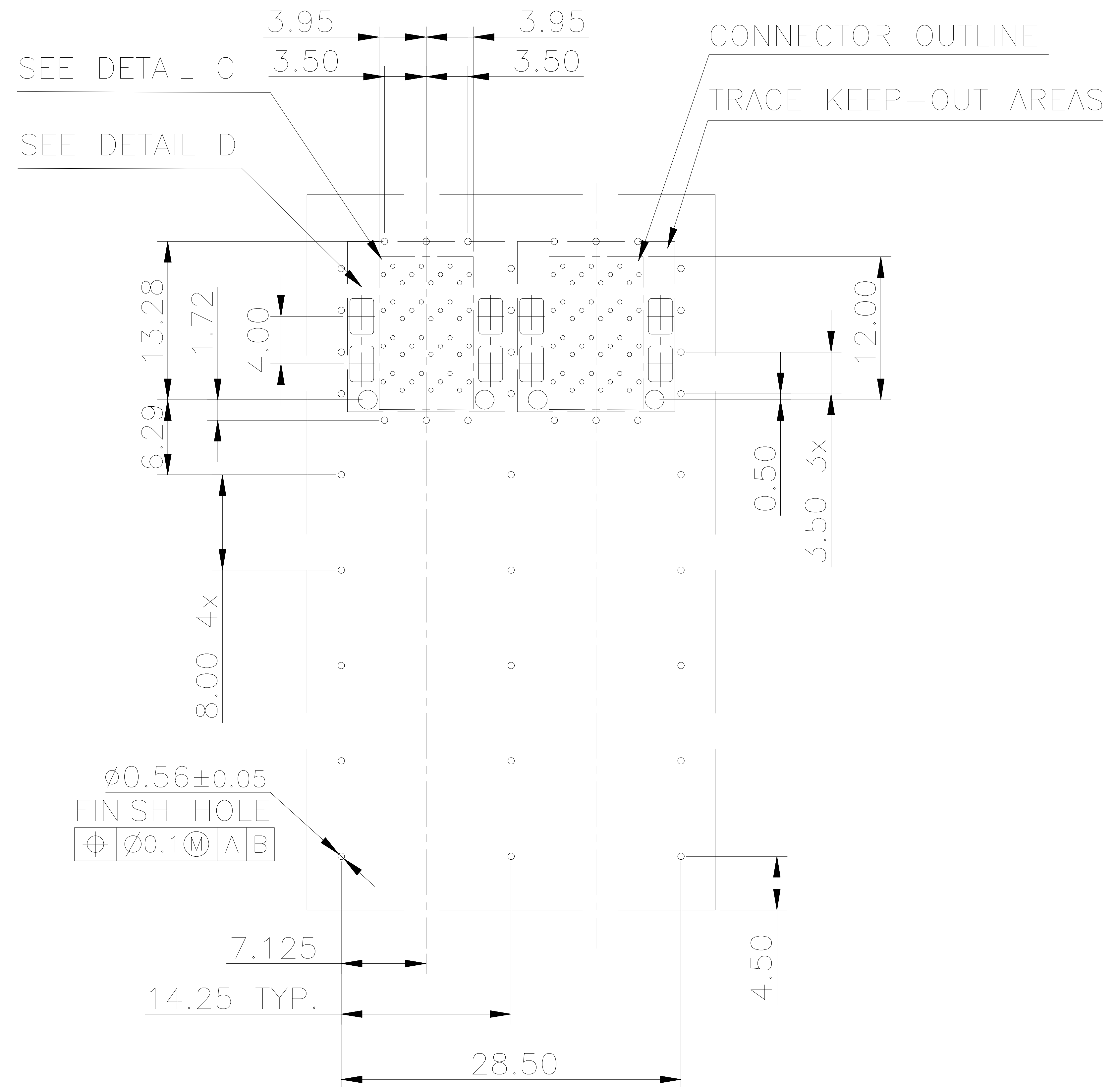
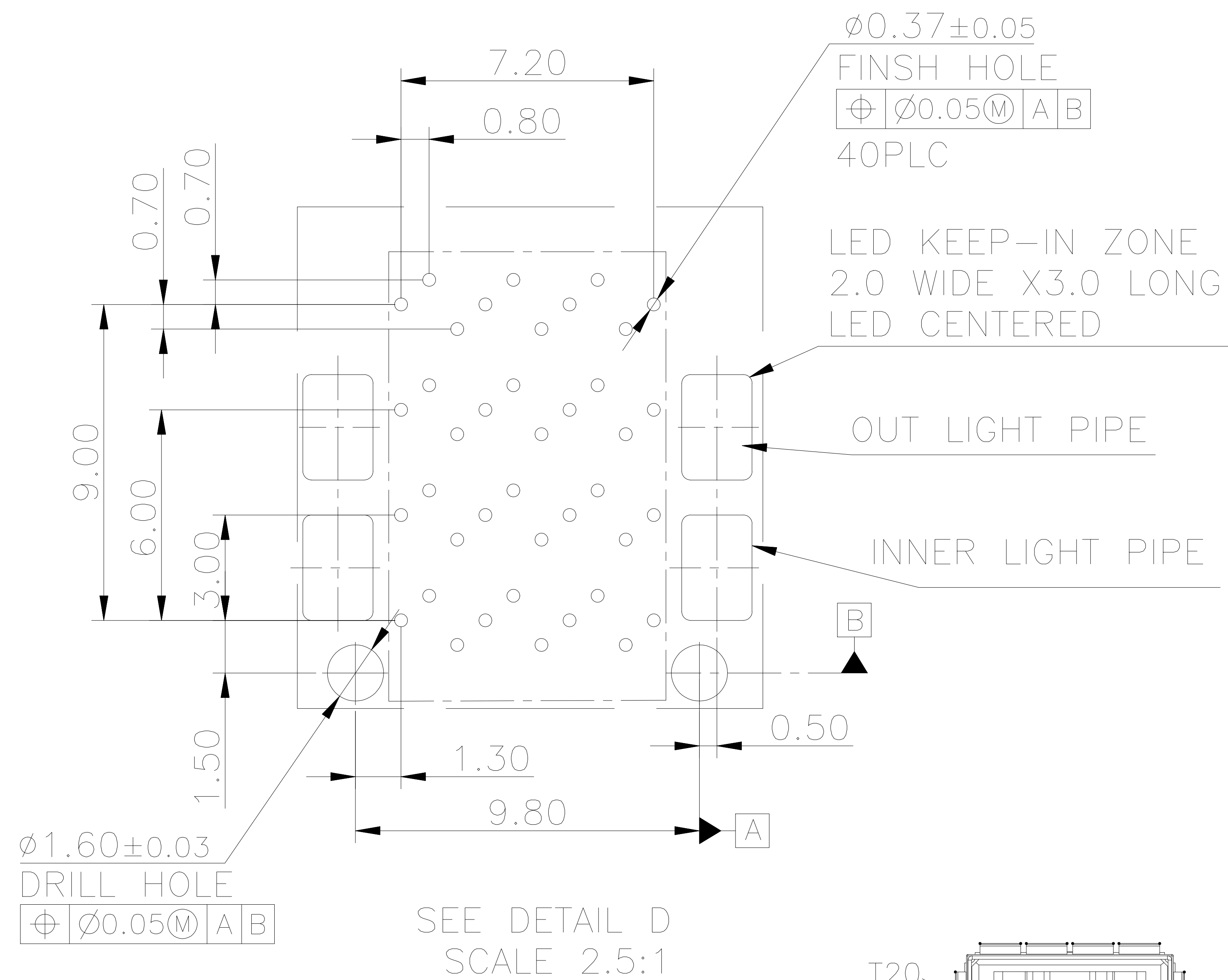
TITLE SFP28 2X2 CAGE & CONNECTOR WITH EMI SPRING FINGER LIGHT PIPE			LINK-PP INT'L TECHNOLOGY CO., LIMITED				
PART NO. LP22CC01103			GENNERAL TOLERANCE			UNIT:MM	SIZE:A4
APPROVE	CHECK	DRAW	○ X±0.20	○ X±1°	SCALE:1:1	SHEET:1/4	REV:A
LEO	JAMES	JAMES	○ XX±0.15	○ XX±5°			
			○ XXX±0.10				



BEZEL CUT-OUT CENTER SPACING DETAIL
BEZEL THICKNESS:0.8-2.6

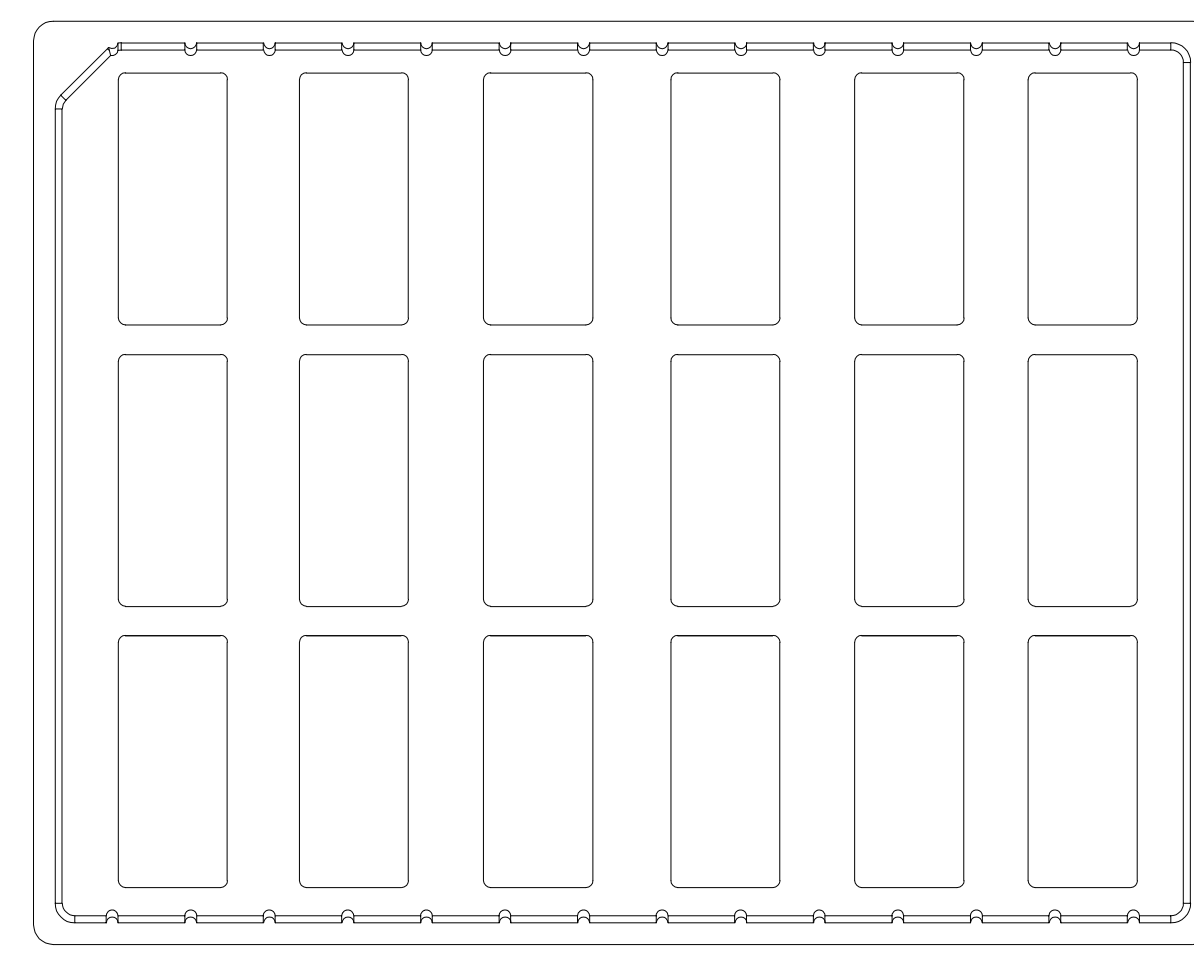


TITLE			SFP28 2X2 CAGE & CONNECTOR WITH EMI SPRING FINGER LIGHT PIPE		LINK-PP INT'L TECHNOLOGY CO., LIMITED			
PART NO.			LP22CC01103		GENNERAL TOLERANCE		UNIT:MM	SIZE:A4
APPROVE	CHECK	DRAW	○ X±0.20	○ X±1°	SCALE:1:1	SHEET:2/4	REV:A	
LEO	JAMES	JAMES	○ XX±0.15	○ XX±5°				
			○ XXX±0.10					

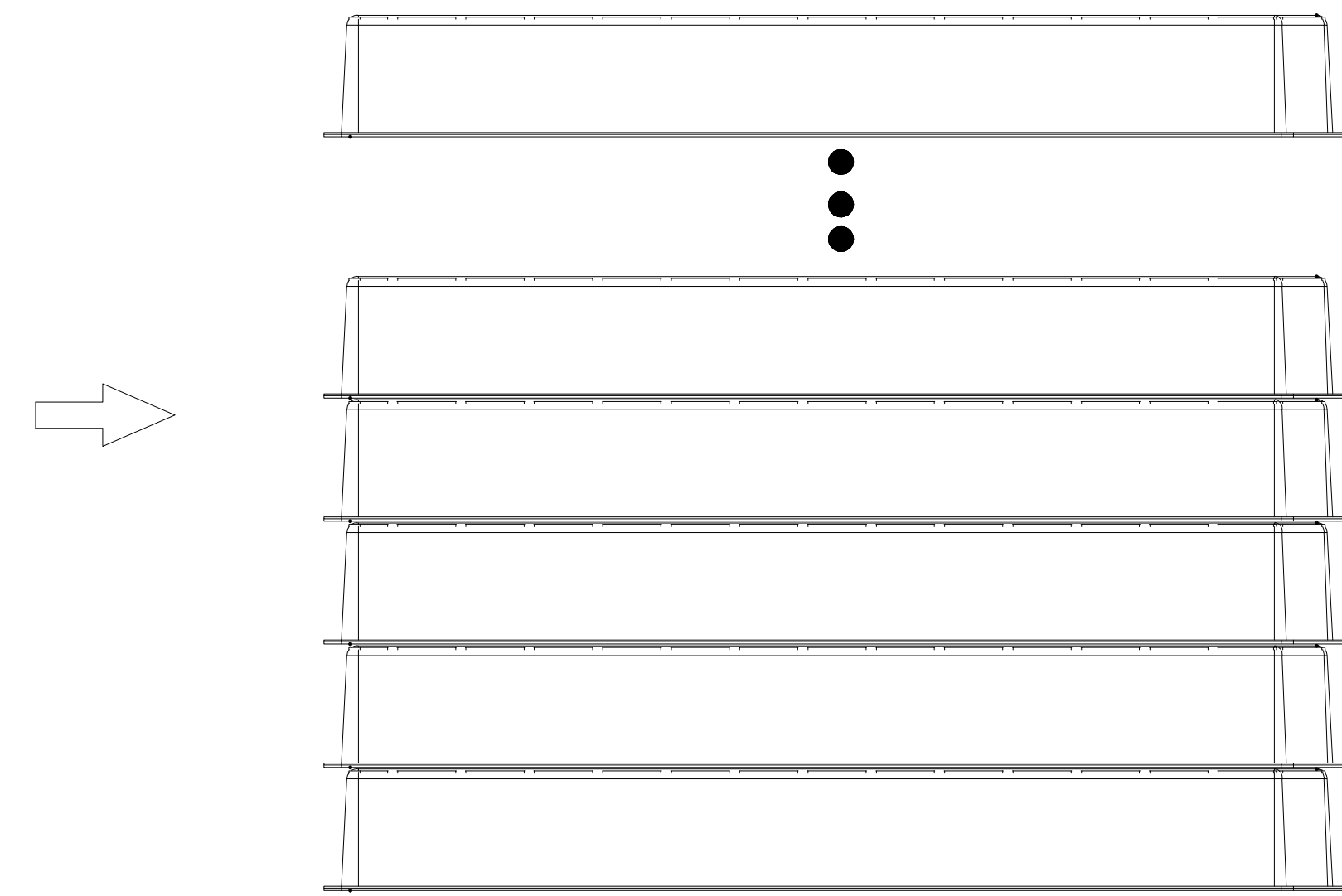


TITLE			LINK-PP INT'L TECHNOLOGY CO., LIMITED	
SFP28 2X2 CAGE & CONNECTOR WITH EMI SPRING FINGER LIGHT PIPE				
PART NO.			GENNERAL TOLERANCE	UNIT:MM
LP22CC01103			ϕ X ± 0.20 . XX ± 0.15 . XXX ± 0.10	SHEET:3/4
APPROVE	CHECK	DRAW	SCALE:1:1	SIZE:A4
LEO	JAMES	JAMES	REV:A	

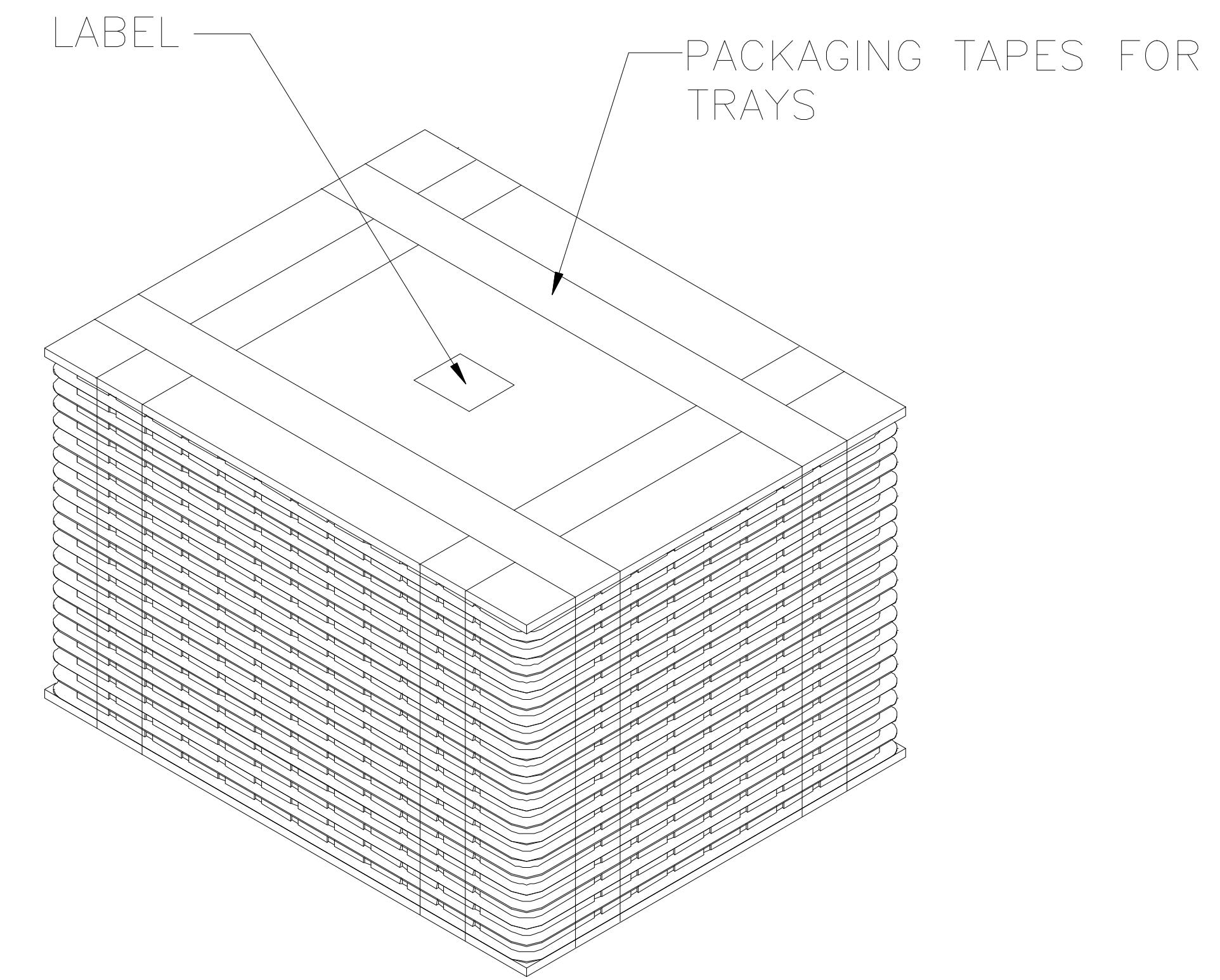
PACKAGE INFORMATION AND LABEL



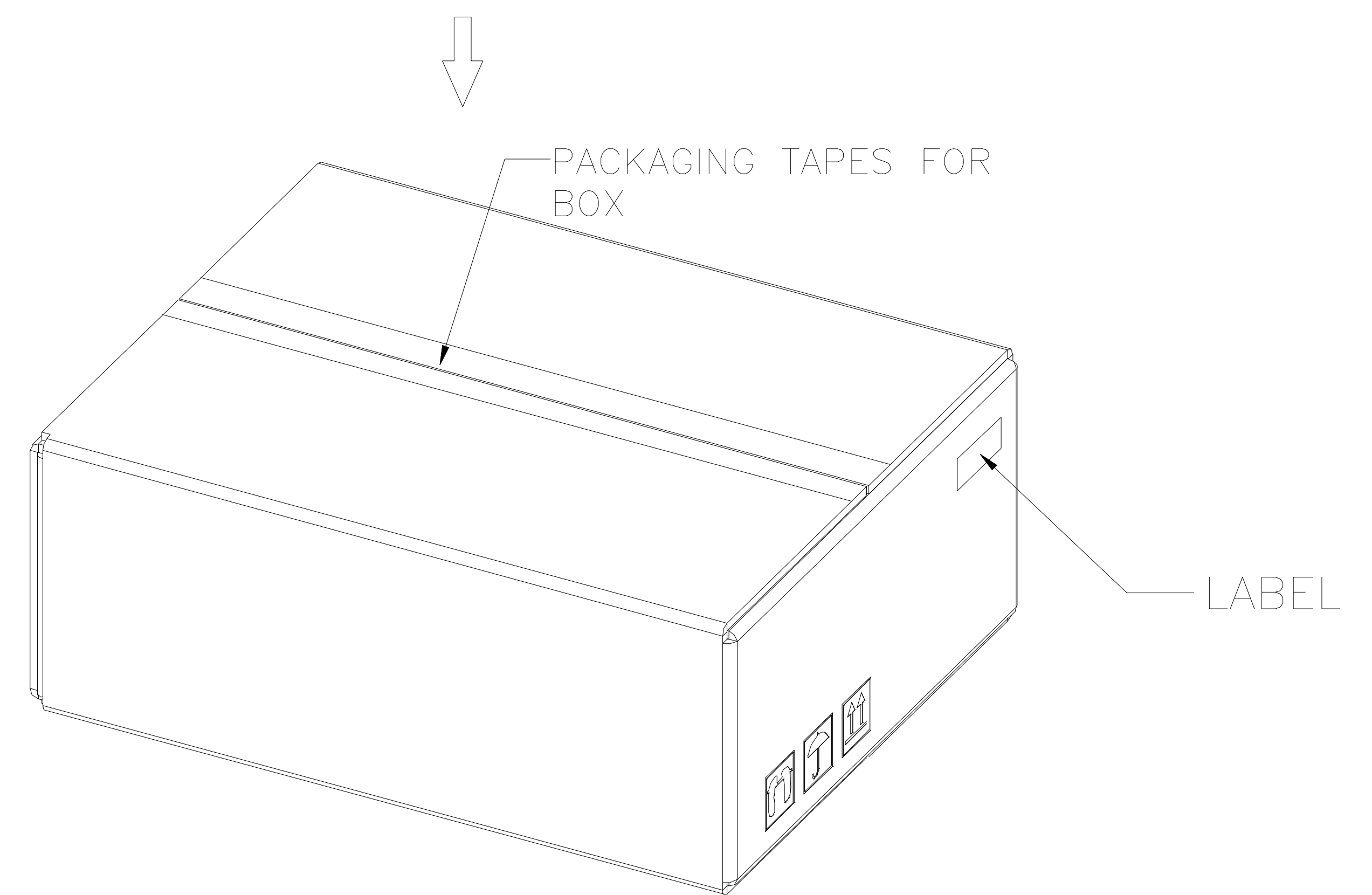
1. 18PCS PRODUCTS IN TRAYS



2. 5PCS TRAYS OVERLAY:
(THE NEXT TRAY NEED ROTATE 180 DEGREE AND PUT IT ON PREVIOUS TRAY.)



3. LABEL & PACKAGING TAPES FOR TRAYS:



4. LABEL & PACKAGING TAPES FOR BOX

PACKAGING LISTS	
ITEM	Q'TY
PRODUCT	90 PCS
TRAY	5 PCS
BOX(L340*W265*H200MM)	1 PCS
LABLE	2 PCS
PACKAGING TAPES	8 M (ABOUT)



TITLE SFP28 2X2 CAGE & CONNECTOR WITH EMI SPRING FINGER LIGHT PIPE			LINK-PP INT'L TECHNOLOGY CO., LIMITED		
PART NO. LP22CC01103			GENNERAL TOLERANCE		UNIT:MM
APPROVE	CHECK	DRAW	◦ X±0.20	◦ X±1°	SCALE:1:1
LEO	JAMES	JAMES	◦ XX±0.15	◦ XX±5°	SHEET:4/4
			◦ XXX±0.10		REV:A