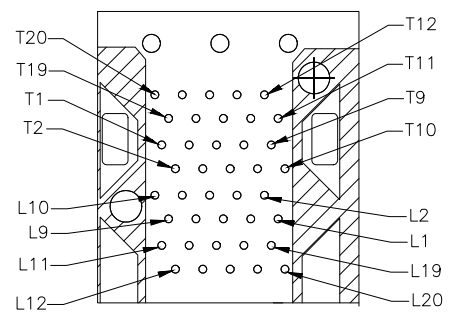
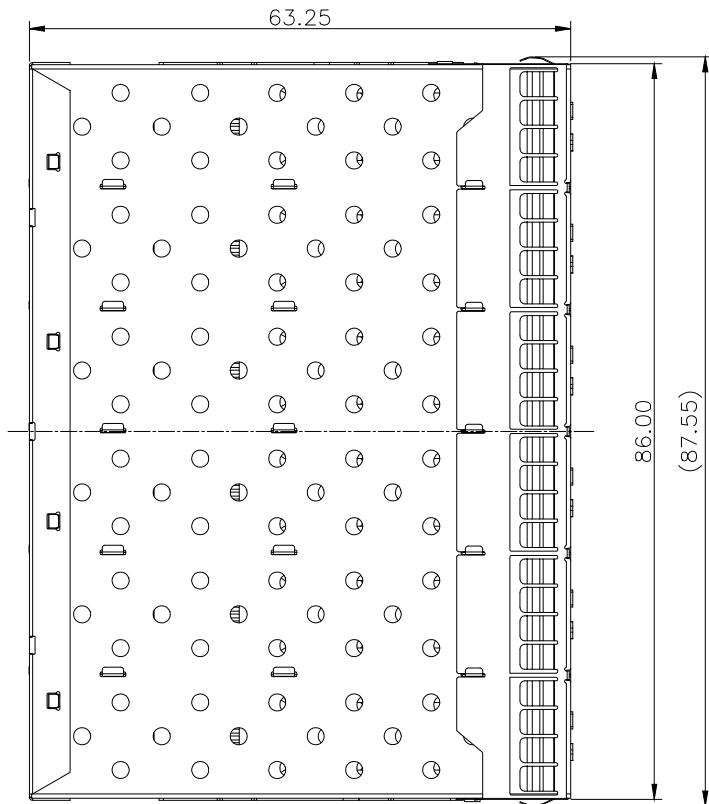


REV	DESCRIPTION OF CHANGE	REVIEWED BY	ISSUE DATE
A	FIRST ISSUE	LEO	2021-10-08



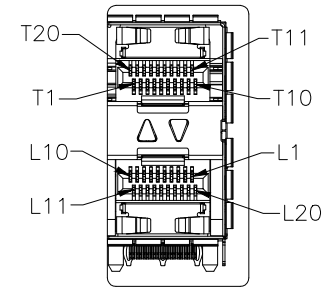
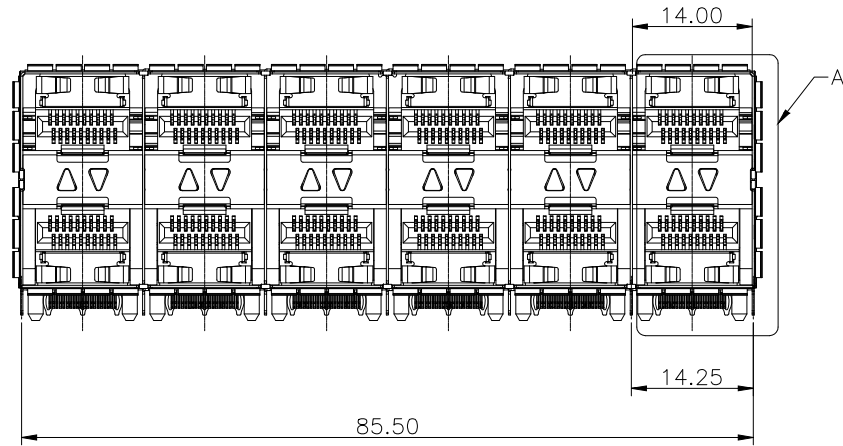
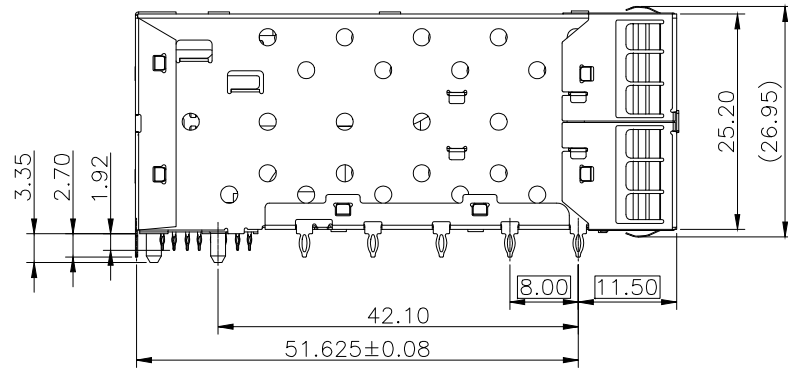
CONNECTOR PIN-OUT  
COMPONENT SIDE OF BOARD

NOTES:

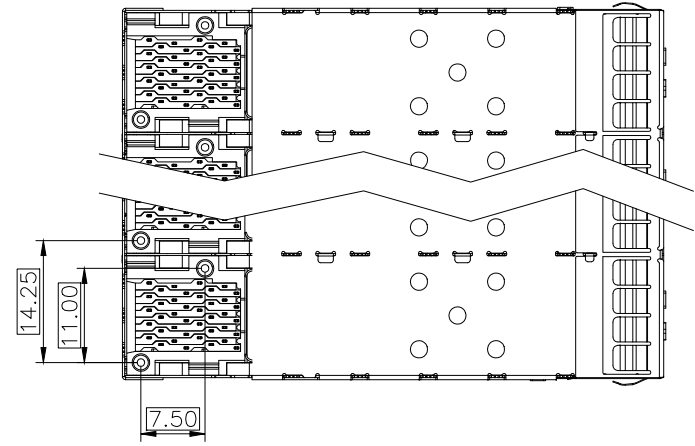
MATERIAL:  
 CAGE: COPPER ALLOY 30u" MIN NI-PLATED, THICKNESS 0.25 MM  
 CONNECTOR:  
 PLASTIC HOUSING: HIGH TEMPERATURE LCP, UL94 V-0.  
 LIGHT PIPE: POLYCARBONATE; COLOR: CLEAR  
 SPRING: STAINLESS STEEL  
 CONTACTS: PHOSPHOR BRONZE  
 CONTACT PLATING: 15u" MIN. GOLD ON MATING AREA,  
 150u" MATTE TIN ON SOLDER TAILS

PACKAGING: TRAY PACKAGING.

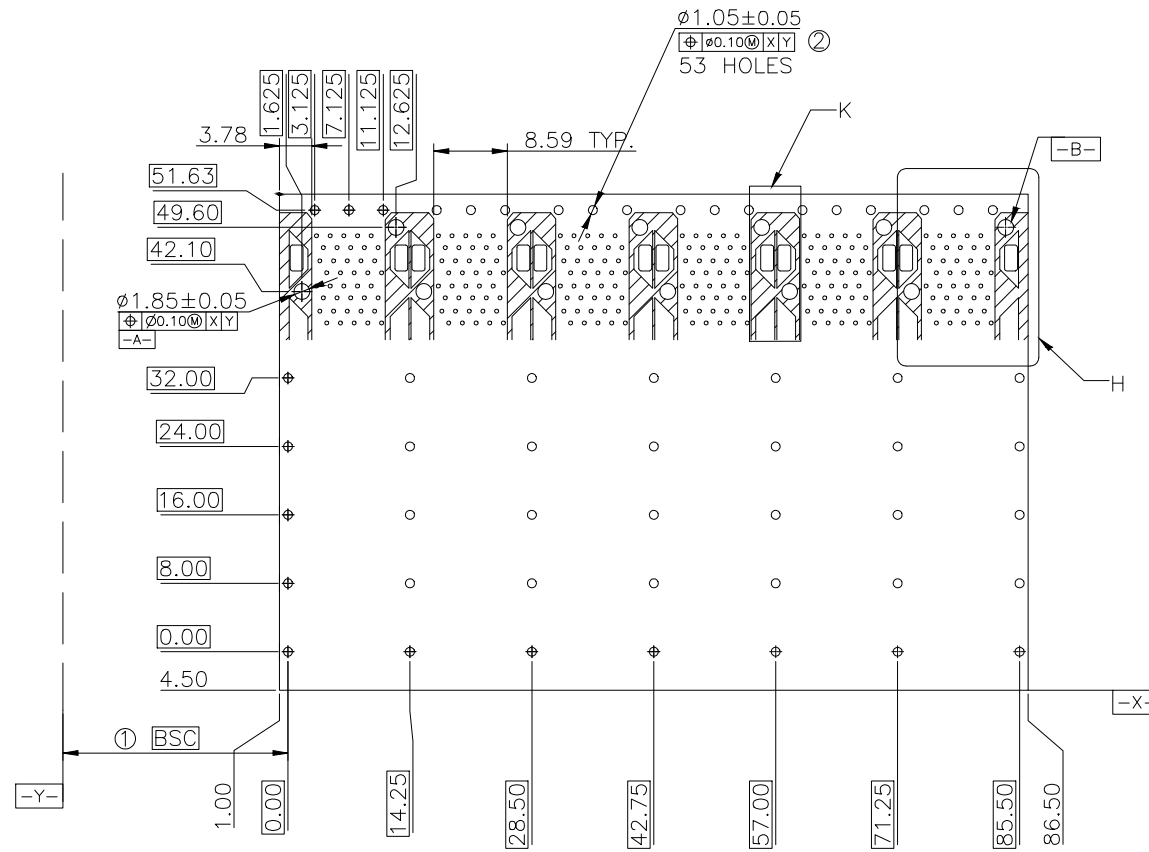
TEMPERATURE RANGE: -40°C TO +85°C  
 STORAGE TEMPERATURE: -55°C TO +105°C



DETAIL A  
1:1



TITLE SFP+ 2X6 CAGE & CONNECTOR WITH EMI SPRING FINGER LIGHT PIPE			LINK-PP INT'L TECHNOLOGY CO., LIMITED			
PART NO. LP26BC01201			GENERAL TOLERANCE		UNIT:MM	SIZE:A4
APPROVE	CHECK	DRAW	° X±0.20	° X±1°	SCALE:1:1	SHEET:1/4
LEO	JAMES	JAMES	° XX±0.15	° XX±5°		
			° XXX±0.10			

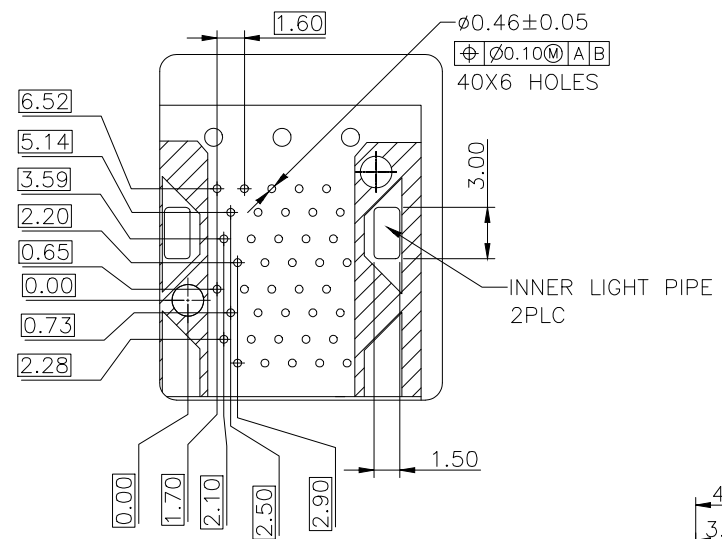


RECOMMENDED PCB CONFIGURATION

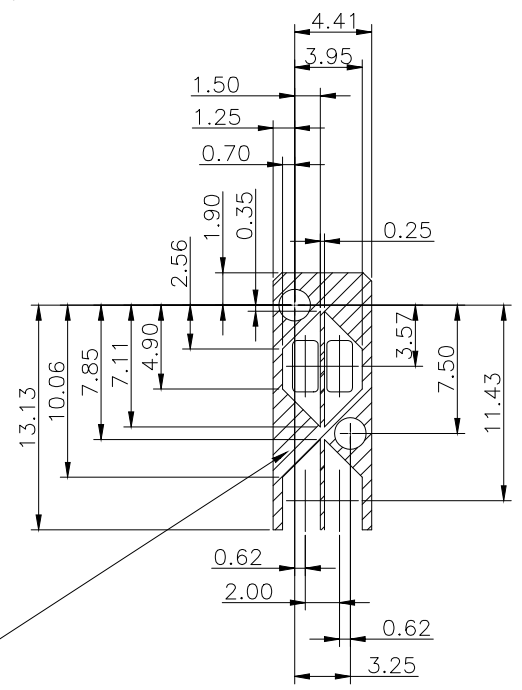
NOTES:

- ① DATUM AND BASIC DIMENSIONS ESTABLISHED BY CUSTOMER.
- ② 1.05 mm DIAMETER HOLES ARE CHASSIS GROUND.

THE ENTIRE AREA OF THE CONNECTOR FOOTPRINT TO BE CONSIDERED THE KEEP OUT AREA FOR COMPONENTS (OTHER THAN LIGHT PIPE LED'S) THIS AREA IS INDICATED BY THE ANSI31 LINE



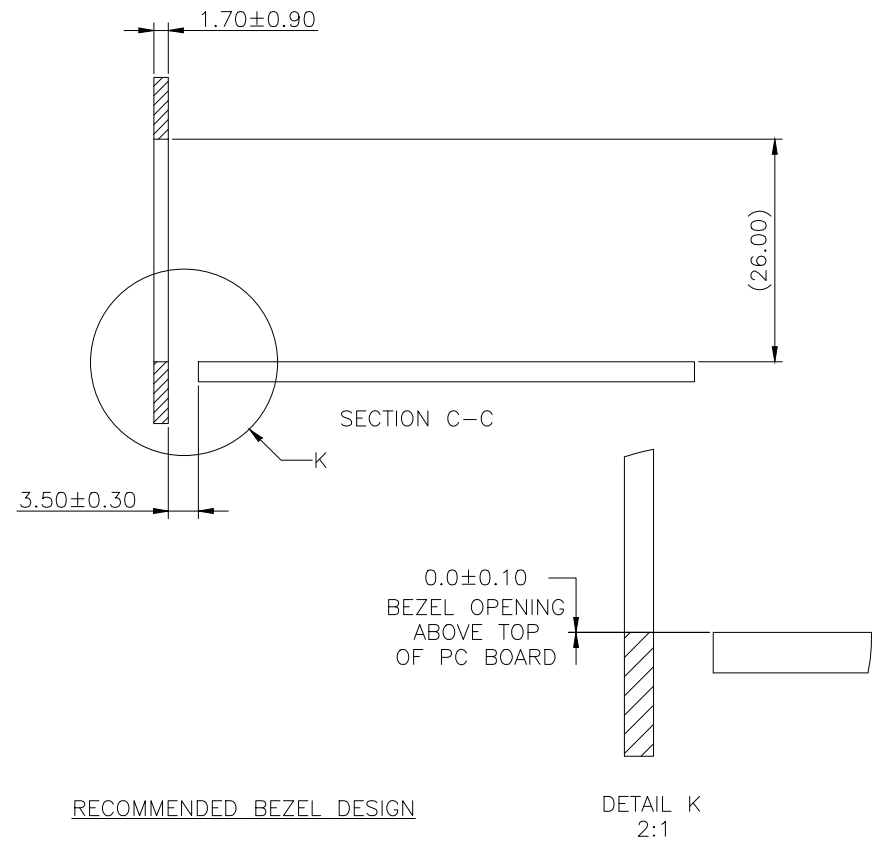
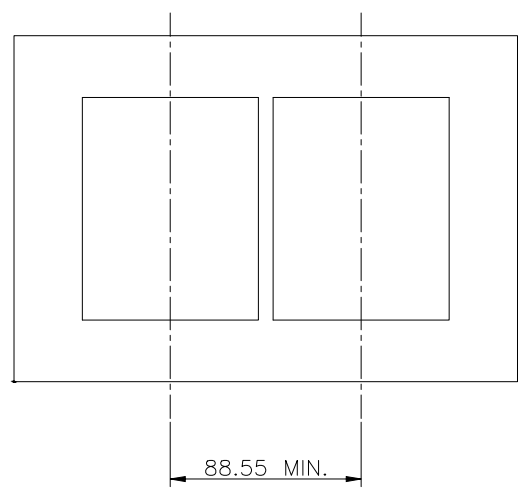
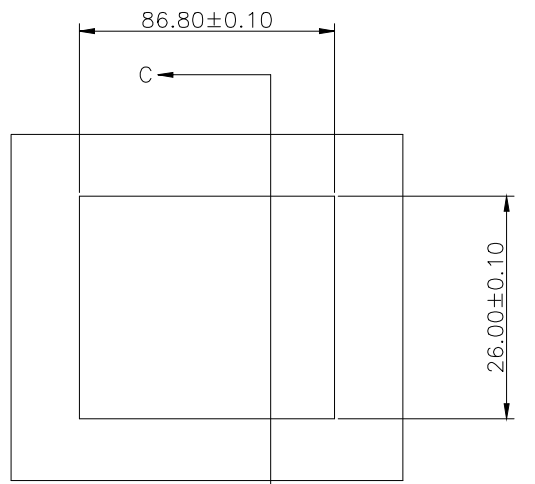
DETAIL H  
2:1



DETAIL LIGHT PIPE LOCATION AND OTHER ZONES  
DETAIL K  
2:1

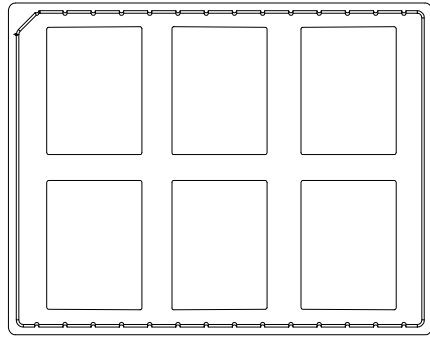


TITLE SFP+ 2X6 CAGE & CONNECTOR WITH EMI SPRING FINGER LIGHT PIPE			LINK-PP INT'L TECHNOLOGY CO., LIMITED		
PART NO. LP26BC01201			GENNERAL TOLERANCE		UNIT:MM SIZE:A4
APPROVE	CHECK	DRAW	• X±0.20	• X±1°	SCALE:1:1 SHEET:2/4 REV:A
LEO	JAMES	JAMES	• XX±0.15	• XX±5°	
			• XXX±0.10		

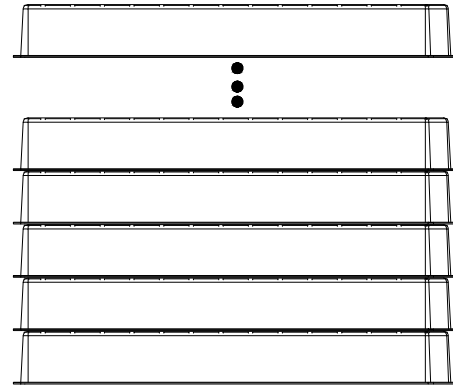


TITLE			SFP+ 2X6 CAGE & CONNECTOR WITH EMI SPRING FINGER LIGHT PIPE		LINK-PP INT'L TECHNOLOGY CO., LIMITED			
PART NO.			LP26BC01201		GENNERAL TOLERANCE		UNIT:MM	SIZE:A4
APPROVE	CHECK	DRAW	° X±0.20	° X±1°	SCALE:1:1	SHEET:3/4	REV:A	
LEO	JAMES	JAMES	° XX±0.15	° XX±5°				
			° XXX±0.10					

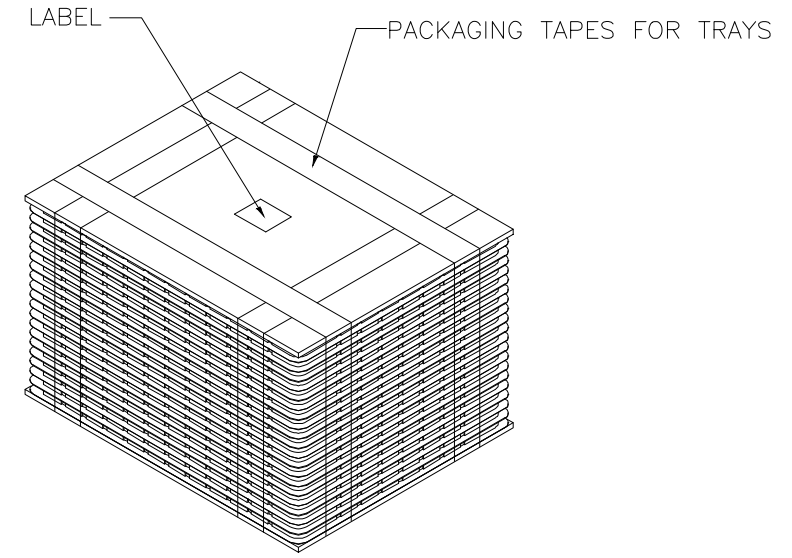
# PACKAGE INFORMATION AND LABEL



1. 6PCS PRODUCTS IN TRAYS

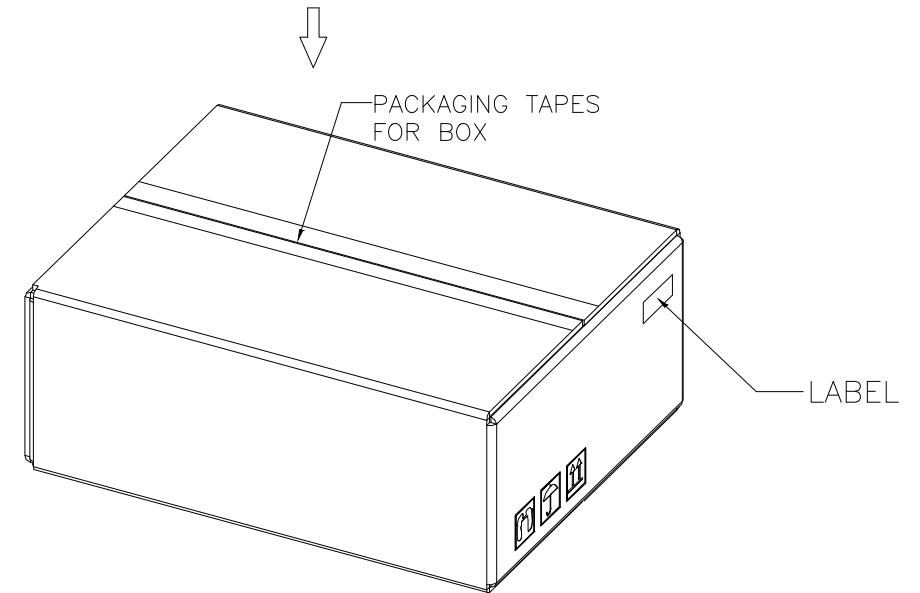


2. 4PCS TRAYS OVERLAY:  
(THE NEXT TRAY NEED ROTATE 180 DEGREE AND PUT IT ON PREVIOUS TRAY.)



3. LABEL & PACKAGING TAPES FOR TRAYS:

PACKAGING LISTS	
ITEM	Q'TY
PRODUCT	24 PCS
TRAY	4 PCS
BOX(L340*W265*H200MM)	1 PCS
LABLE	2 PCS
PACKAGING TAPES	8 M (ABOUT)



4. LABEL & PACKAGING TAPES FOR BOX



TITLE SFP+ 2X6 CAGE & CONNECTOR WITH EMI SPRING FINGER LIGHT PIPE			LINK-PP INT'L TECHNOLOGY CO., LIMITED			
PART NO. LP26BC01201			GENNERAL TOLERANCE		UNIT:MM	SIZE:A4
APPROVE	CHECK	DRAW	◦ X±0.20	◦ X±1°	SCALE:1:1	SHEET:4/4
LEO	JAMES	JAMES	◦ XX±0.15	◦ XX±5°		
			◦ XXX±0.10			