

CONNECTOR PIN-OUT
COMPONENT SIDE OF BOARD

REV	DESCRIPTION OF CHANGE	REVIEWED BY	ISSUE DATE
A	FIRST ISSUE	LEO	2021-10-07

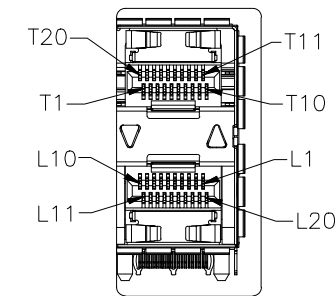
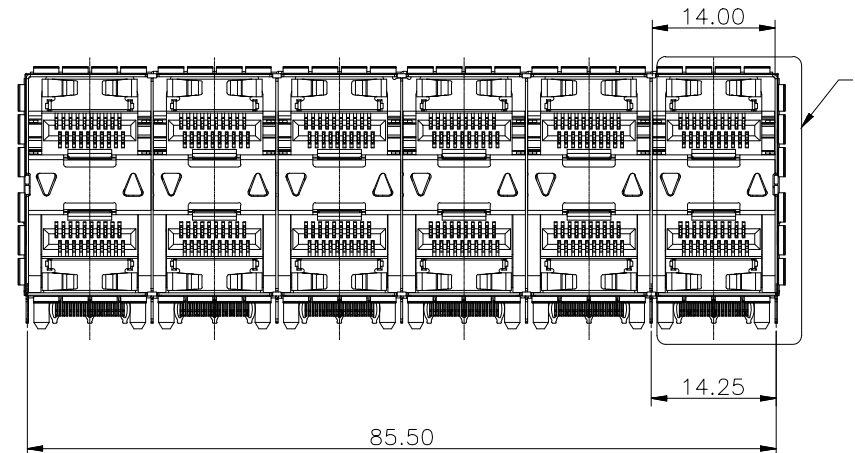
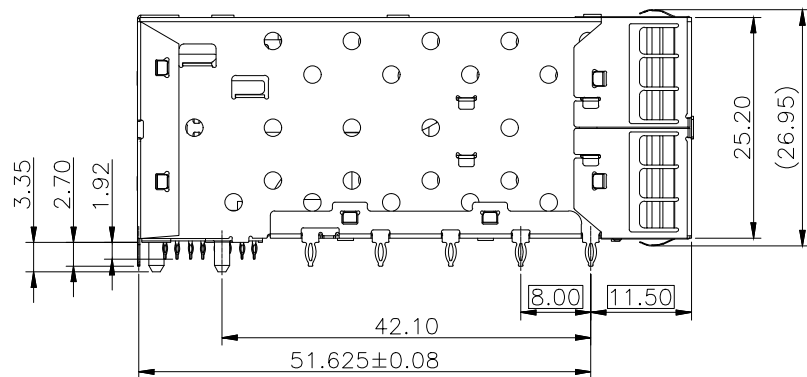
NOTES:

MATERIAL:
CAGE: NICKEL SILVER

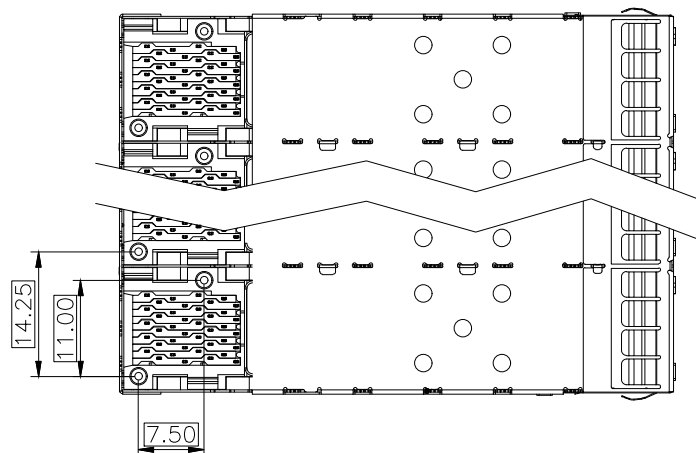
CONNECTOR:
PLASTIC HOUSING: HIGH TEMPERATURE LCP, UL94 V-0
LIGHT PIPE: POLYCARBONATE; COLOR: CLEAR
SPRING: STAINLESS STEEL
CONTACTS: PHOSPHOR BRONZE
CONTACT PLATING: 15u" MIN. GOLD ON MATING AREA,
150u" MATTE TIN ON SOLDER TAILS

PACKAGING: TRAY PACKAGING.

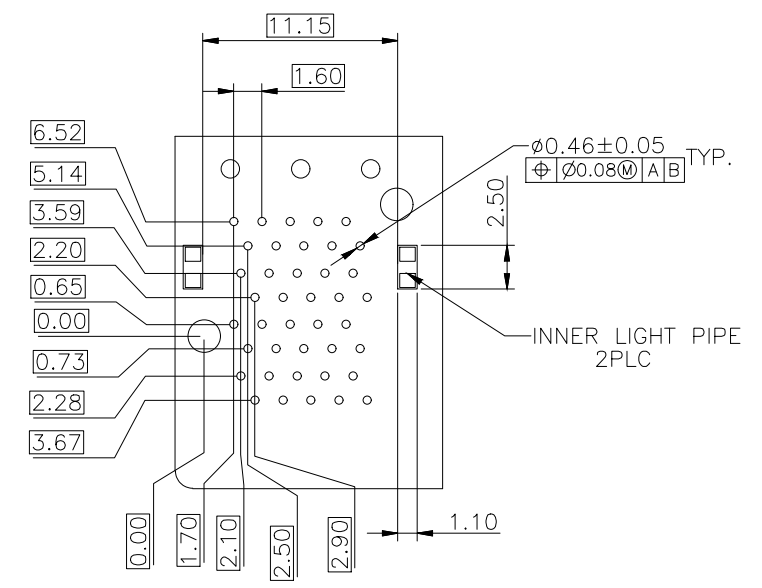
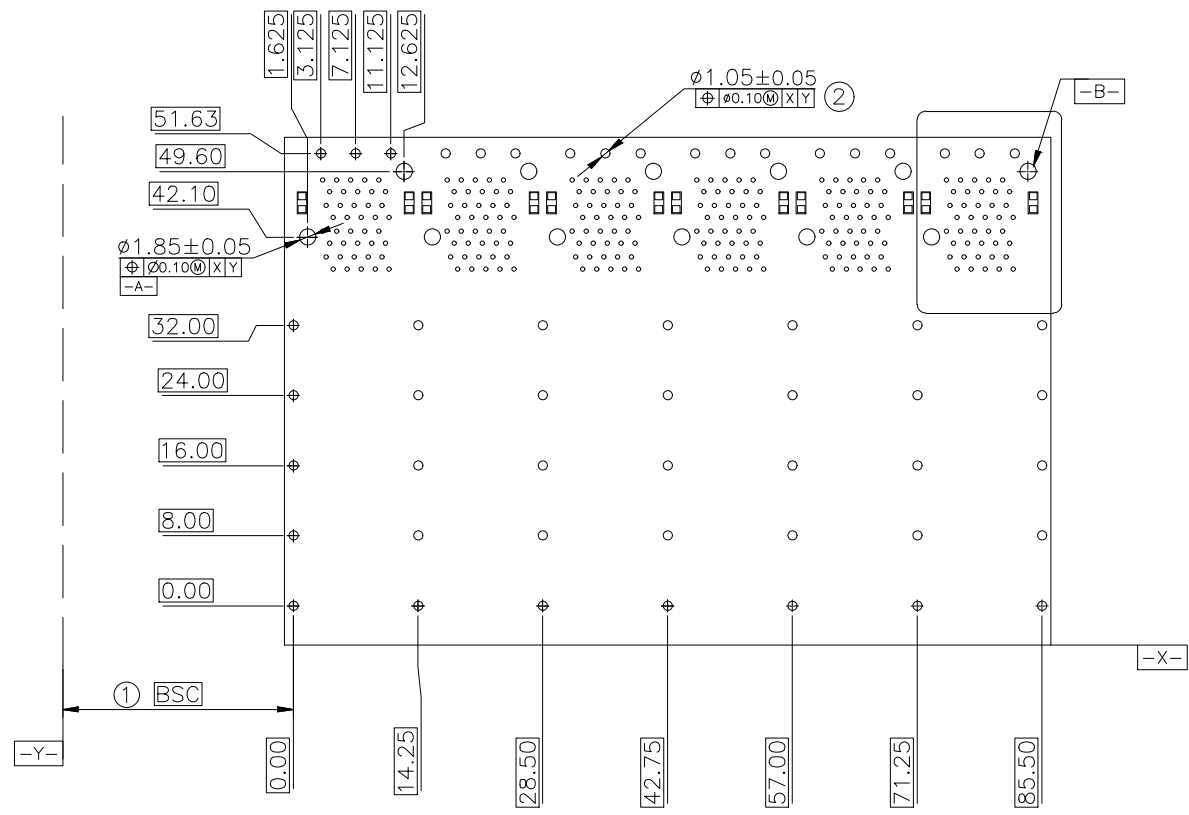
TEMPERATURE RANGE: -40°C TO +85°C



DETAIL A
1:1



TITLE SFP+ 2X6 CAGE & CONNECTOR WITH EMI SPRING FINGER LIGHT PIPE			LINK-PP INT'L TECHNOLOGY CO., LIMITED		
PART NO. LP26BC01301			GENERAL TOLERANCE	UNIT:MM	SIZE:A4
APPROVE	CHECK	DRAW	 SCALE:1:1	SHEET:1/3	REV:A
LEO	JAMES	JAMES			



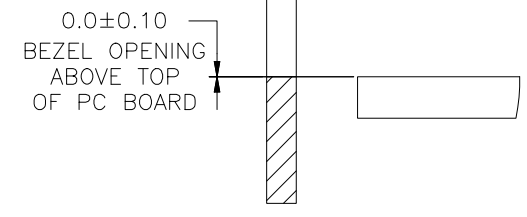
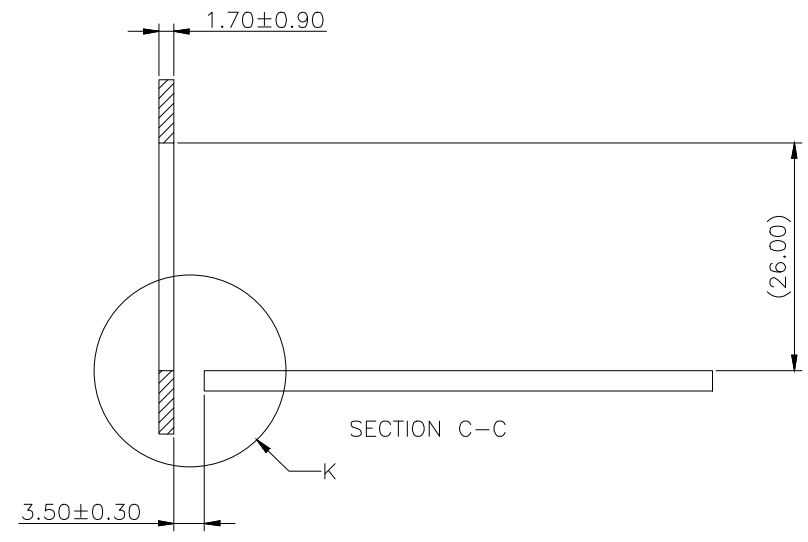
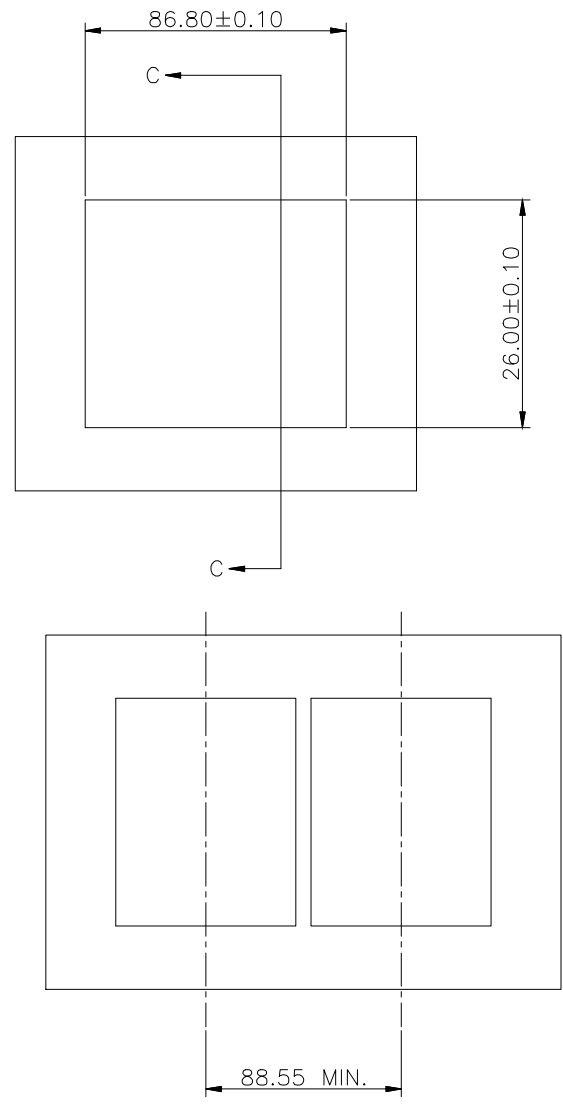
NOTES:

- ① DATUM AND BASIC DIMENSIONS ESTABLISHED BY CUSTOMER.
- ② 1.05 mm DIAMETER HOLES ARE CHASSIS GROUND (53 HOLES).

ECOMMENDED PCB CONFIGURATION



TITLE SFP+ 2X6 CAGE & CONNECTOR WITH EMI SPRING FINGER LIGHT PIPE			LINK-PP INT'L TECHNOLOGY CO., LIMITED			
PART NO. LP26BC01301			GENNERAL TOLERANCE		UNIT:MM	SIZE:A4
APPROVE	CHECK	DRAW		SCALE:1:1	SHEET:2/3	REV:A
LEO	JAMES	JAMES				



RECOMMENDED BEZEL DESIGN

DETAIL K
2:1



TITLE SFP+ 2X6 CAGE & CONNECTOR WITH EMI SPRING FINGER LIGHT PIPE			LINK-PP INT'L TECHNOLOGY CO., LIMITED				
PART NO. LP26BC01301			GENNERAL TOLERANCE			UNIT:MM	SIZE:A4
APPROVE	CHECK	DRAW	◦ X±0.20	◦ X±1°	SCALE:1:1	SHEET:3/3	REV:A
LEO	JAMES	JAMES	◦ XX±0.15	◦ XX±5°			
			◦ XXX±0.10				