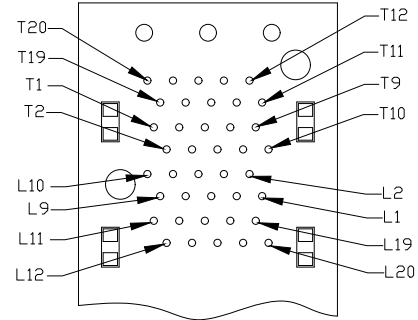
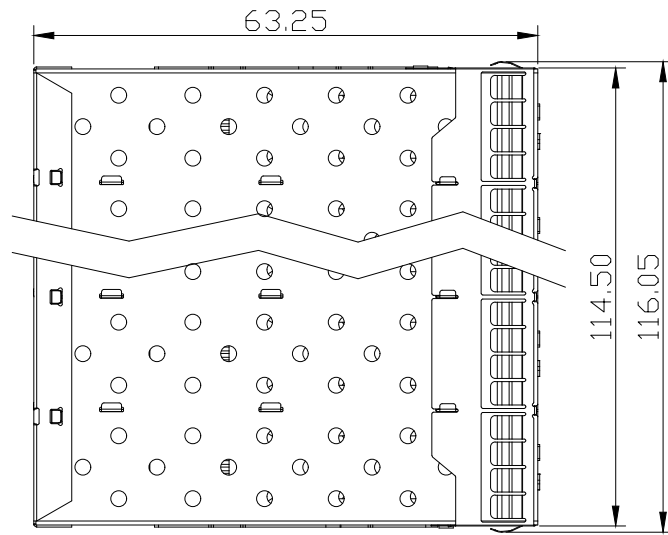
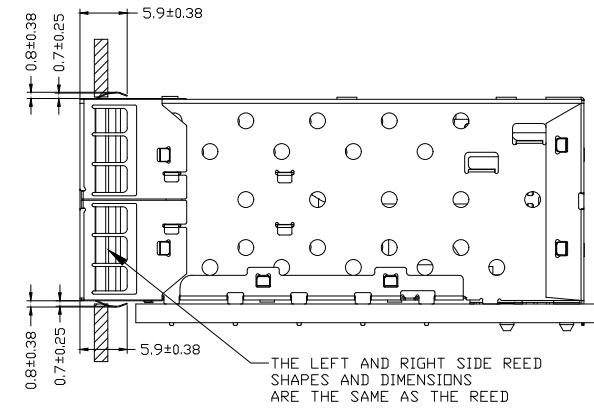


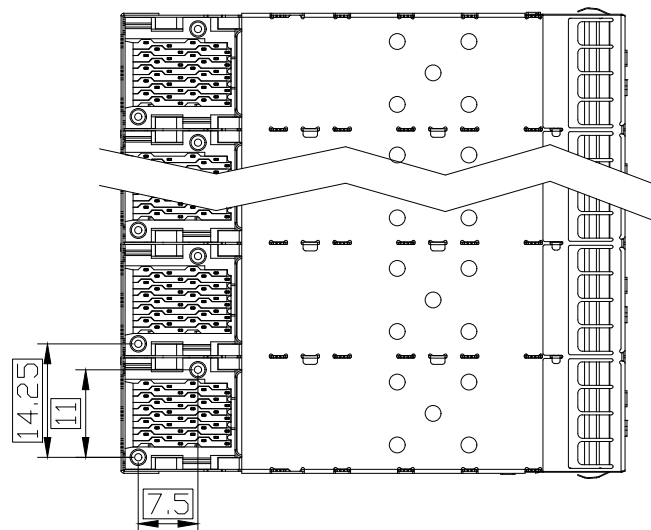
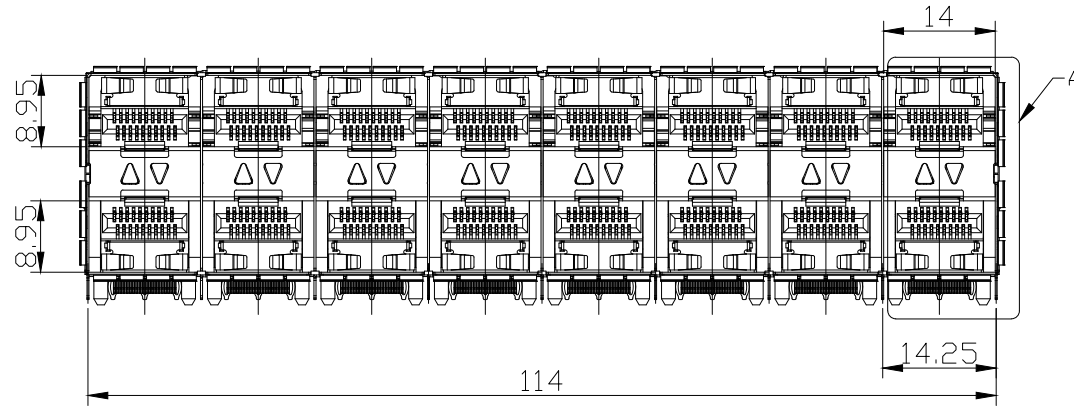
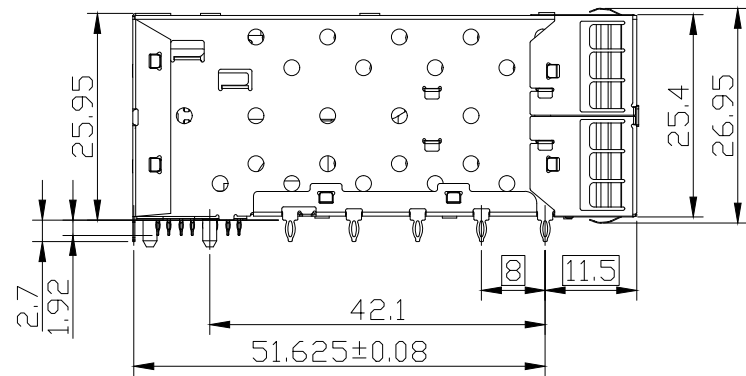
REV	DESCRIPTION OF CHANGE	REVIEWED BY	ISSUE DATE
A	FIRST ISSUE	LEO	2021-10-11



CONNECTOR PIN-OUT  
COMPONENT SIDE OF BOARD



THE LEFT AND RIGHT SIDE REED  
SHAPES AND DIMENSIONS  
ARE THE SAME AS THE REED



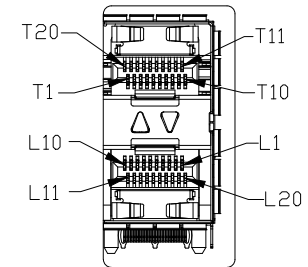
NOTES:

MATERIAL:  
CAGE: COPPER ALLOY, NI-PLATED

CONNECTOR:  
PLASTIC HOUSING: HIGH TEMPERATURE LCP, UL94 V-0.  
LIGHT PIPE: POLYCARBONATE; COLOR: CLEAR  
SPRING: STAINLESS STEEL  
CONTACTS: PHOSPHOR BRONZE  
CONTACT PLATING: 15u" MIN. GOLD ON MATING AREA,  
150u" MATTE TIN ON SOLDER TAILS

PACKAGING: TRAY PACKAGING.

TEMPERATURE RANGE: -40°C TO +85°C



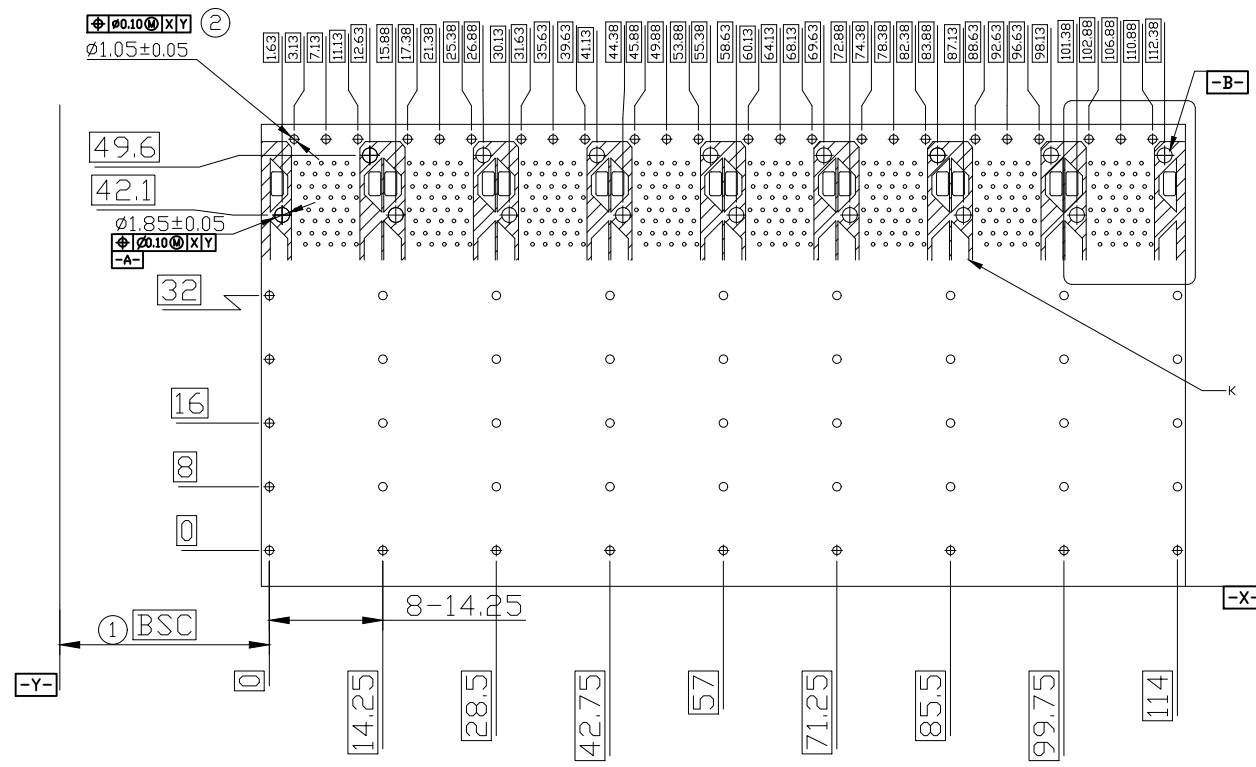
DETAIL A  
1:1



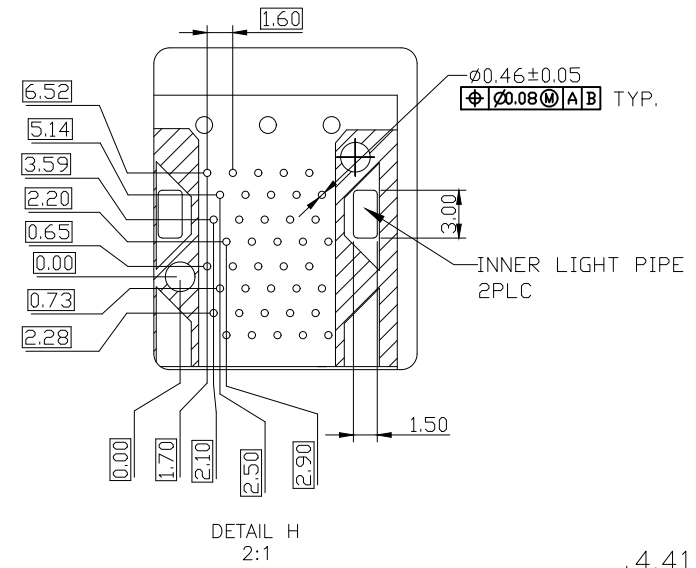
TITLE SFP+ 2X8 CAGE & CONNECTOR WITH EMI SPRING FINGER LIGHT PIPE			LINK-PP INT'L TECHNOLOGY CO., LIMITED			
PART NO. LP28BC01201			GENNERAL TOLERANCE	UNIT:MM	SIZE:A4	
APPROVE	CHECK	DRAW		SCALE:1:1	SHEET:1/4	
LEO	JAMES	JAMES				REV:A

1 2 3 4 5 6 7 8

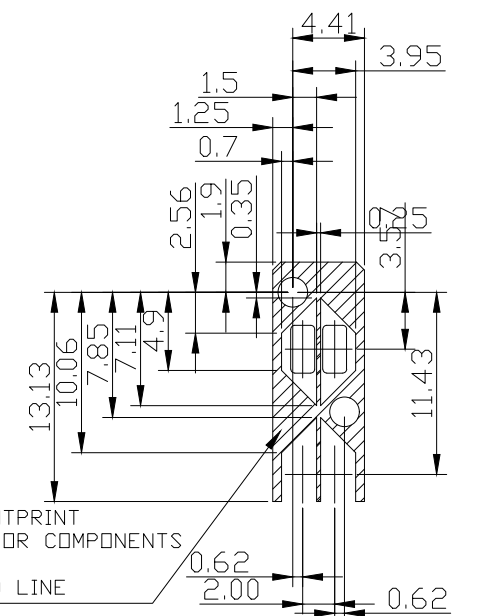
H  
G  
F  
E  
D  
C  
B  
A



RECOMMENDED PCB CONFIGURATION



DETAIL H  
2:1



DETAIL LIGHT PIPE LOCATION AND OTHER ZONES  
DETAIL K  
2:1

THE ENTIRE AREA OF THE CONNECTOR FOOTPRINT TO BE CONSIDERED THE KEEP OUT AREA FOR COMPONENTS (OTHER THAN LIGHT PIPE LE'S) THIS AREA IS INDICAATED BY THE ADSHED LINE

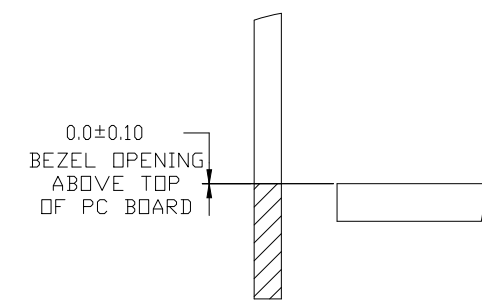
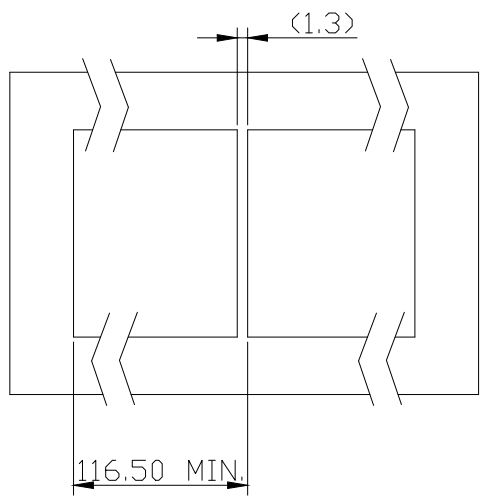
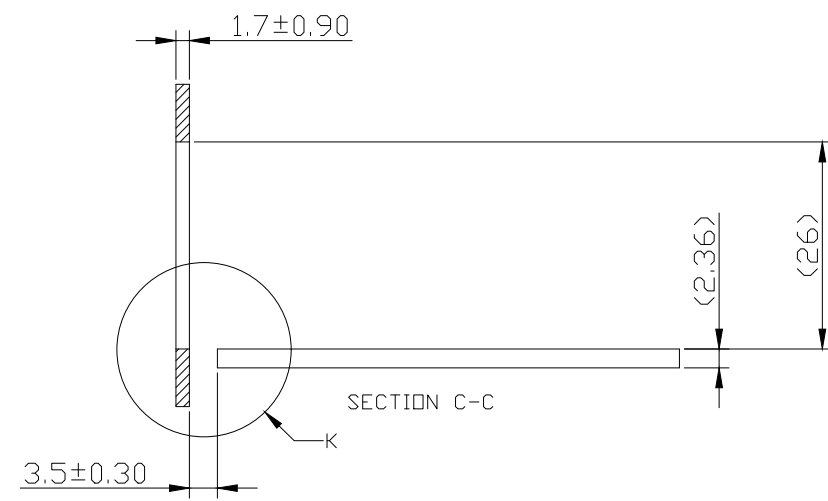
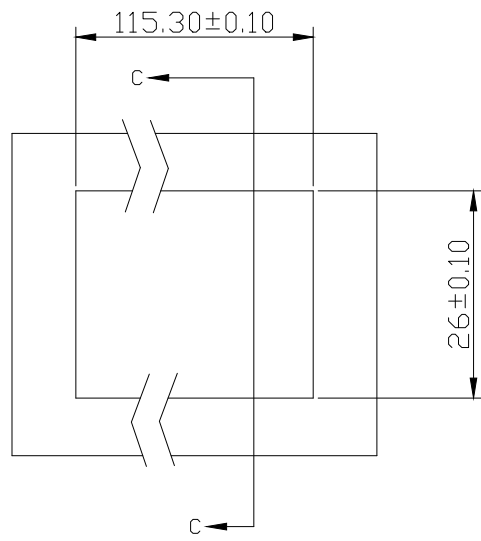
NOTES:

- DATUM AND BASIC DIMENSIONS ESTABLISHED BY CUSTOMER.
- 1.05 mm DIAMETER HOLES ARE CHASSIS GROUND .



TITLE SFP+ 2X8 CAGE & CONNECTOR WITH EMI SPRING FINGER LIGHT PIPE			LINK-PP INT'L TECHNOLOGY CO., LIMITED		
PART NO. LP28BC01201			GENNERAL TOLERANCE		UNIT:MM SIZE:A4
APPROVE	CHECK	DRAW	• X±0.20	• X±1°	SCALE:1:1 SHEET:2/4 REV:A
LEO	JAMES	JAMES	• XX±0.15	• XX±5°	
			• XXX±0.10		

1 2 3 4 5 6 7 8



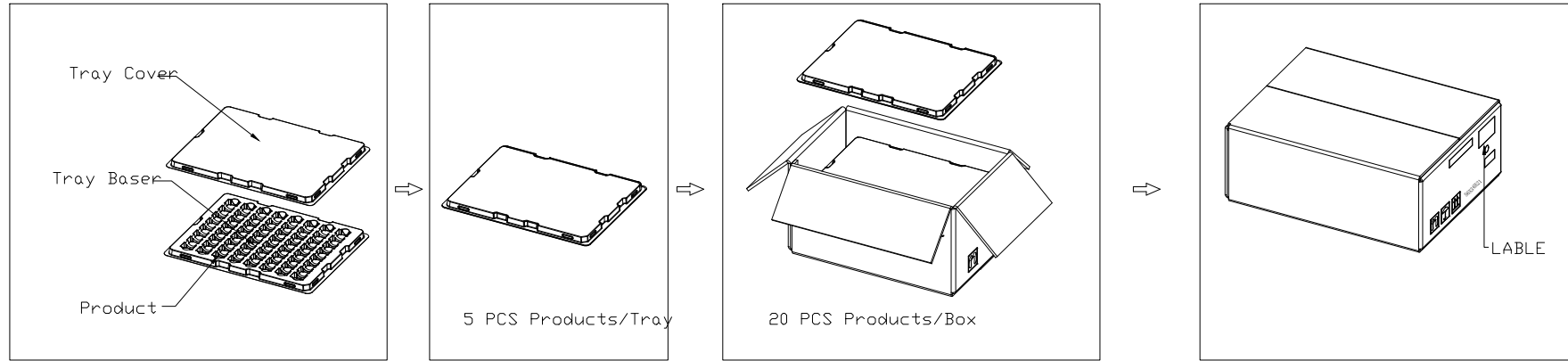
DETAIL K  
2:1

RECOMMENDED BEZEL DESIGN



TITLE SFP+ 2X8 CAGE & CONNECTOR WITH EMI SPRING FINGER LIGHT PIPE			LINK-PP INT'L TECHNOLOGY CO., LIMITED				
PART NO. LP28BC01201			GENERAL TOLERANCE			UNIT:MM	SIZE:A4
APPROVE	CHECK	DRAW	◦ X±0.20	◦ X±1°	SCALE:1:1	SHEET:3/4	REV:A
LEO	JAMES	JAMES	◦ XX±0.15	◦ XX±5°			
			◦ XXX±0.10				

PACKAGE INFORMATION AND LABEL



PACKING QUANTITY : 5 PCS FINISHED GOODS PER TRAY

4 TRAYS (20 PCS FINISHED GOODS) PER CARTON BOX



TITLE SFP+ 2X8 CAGE & CONNECTOR WITH EMI SPRING FINGER LIGHT PIPE			LINK-PP INT'L TECHNOLOGY CO., LIMITED				
PART NO. LP28BC01201			GENNERAL TOLERANCE			UNIT:MM	SIZE:A4
APPROVE	CHECK	DRAW	◦ X±0.20	◦ X±1°	SCALE:1:1	SHEET:4/4	REV:A
LEO	JAMES	JAMES	◦ XX±0.15	◦ XX±5°			
			◦ XXX±0.10				