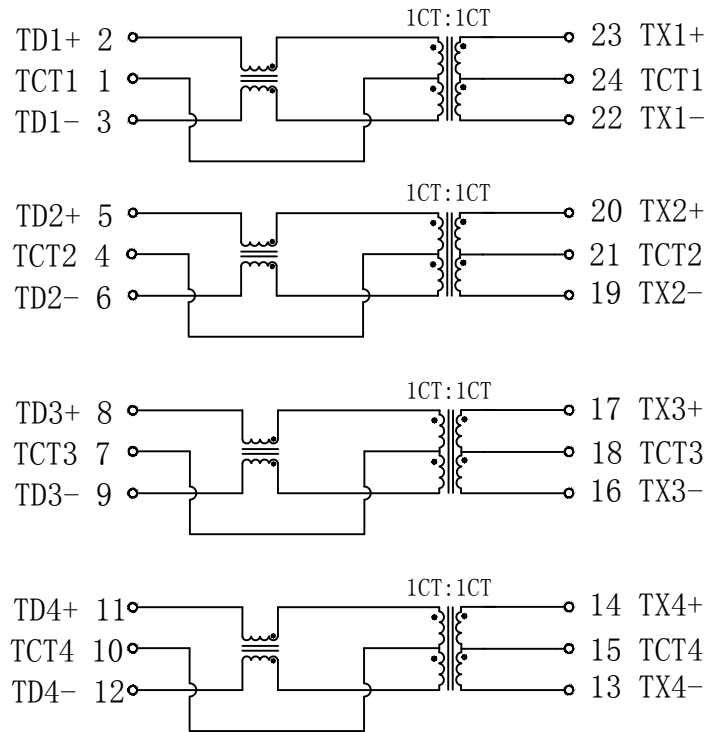


# Schematic:

| REV. | ECN NO. | DESCRIPTION | DATE       | APPD |
|------|---------|-------------|------------|------|
| A    | REL     |             | 2020-05-23 |      |



## ELECTRICAL SPECIFICATIONS @25°C

- Turn Ratio : 1CT:1CT  $\pm 5\%$
- OCL: 200uH Min @100KHz , 0.1V
- Insertion Loss (dB Max):
 

|                |                  |
|----------------|------------------|
| 1-100MHz: -1.0 | 100-125MHz: -1.5 |
|----------------|------------------|
- Return Loss(dB Min):
 

|                 |                |
|-----------------|----------------|
| 1-30MHz: -16    | 30-100MHz: -12 |
| 100-150MHz: -10 |                |
- Cross Talk:
 

|                      |
|----------------------|
| 1-125MHz: -25dB Min. |
|----------------------|
- Common Mode Rejection(dB Min):
 

|               |
|---------------|
| 1-125MHz: -30 |
|---------------|
- Common Mode to Differential Mode Rejection(dB Min):
 

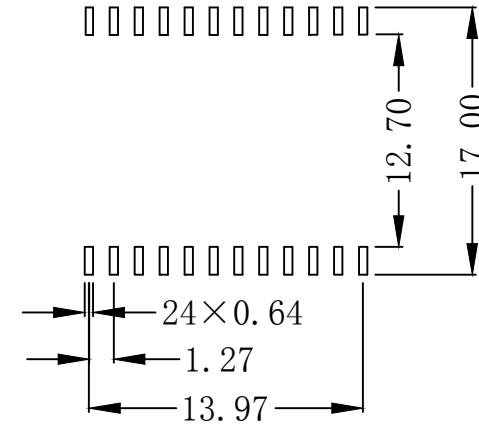
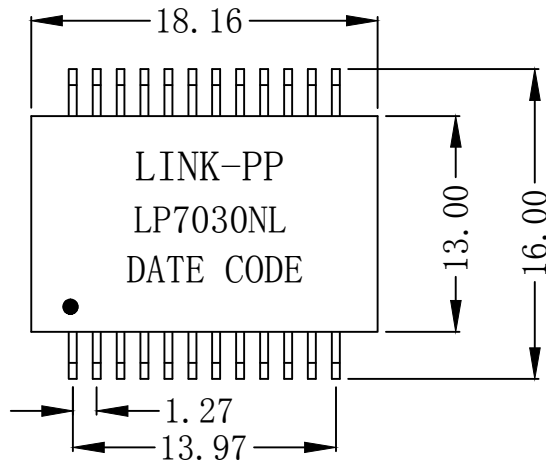
|               |                  |
|---------------|------------------|
| 1-100MHz: -30 | 100-125MHz: -25. |
|---------------|------------------|
- Hi-Pot: 4000Vrms.
- Operating Temperature Range: 0°C ~ 70°C.



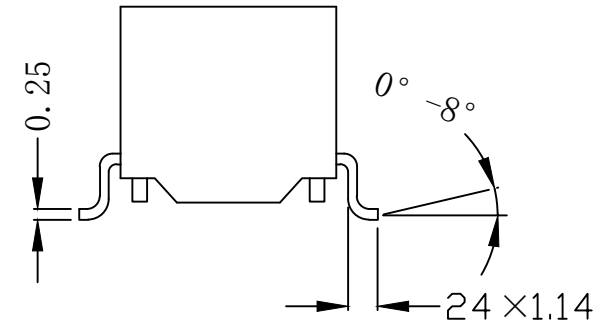
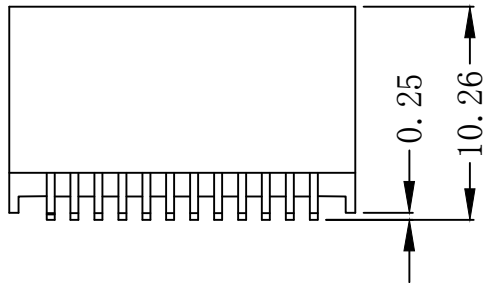
|                      |            |  |
|----------------------|------------|--|
| X:X                  | APPD:      | LINK-PP INT'L TECHNOLOGY CO., LIMITED                        |
| X:XX $\pm 0.25$      | CHKD:      |  |
| X:XXX                | DR: TOM    | TITLE: 2.5G Base-T Magnetics Modules<br>For PoE+ Application |
| ANGLES $\pm 1^\circ$ | UNIT: mm   | PART NO.: LP7030NL   |
|                      | SCALE: 2/1 | SHEET: 1/2   |
|                      | REV: A     | DWG NO.: LP22052307  |

# Mechanical :

| REV. | ECN NO. | DESCRIPTION | DATE       | APPD |
|------|---------|-------------|------------|------|
| A    | REL     |             | 2020-05-23 |      |



SUGGESTED PAD LAYOUT



## NOTES

1. Designed For 2.5 Gigabit Transceivers
2. Peak Reflow Temperature Rating 250°C
3. Magnetics, Designed For Gigabit PHY Used In Backplane.
4. Compliant With IEEE 802.3bt Standard.
5. PoE Magnetics For 90W.
6. UL Certification: File Number E484635.



|            |            |  |
|------------|------------|--|
| X:X        | APPD:      | LINK-PP INT'L TECHNOLOGY CO., LIMITED                      |
| X:XX ±0.25 | CHKD:      |  |
| X:XXX      | DR: TOM    | TITLE: 2.5G Base-T Magnetics Modules For PoE++ Application |
| ANGLES ±1° | UNIT: mm   | PART NO.: LP7030NL   |
|            | SCALE: 2/1 | SHEET: 2/2   |
|            | REV: A     | DWG NO.: LP22052307  |