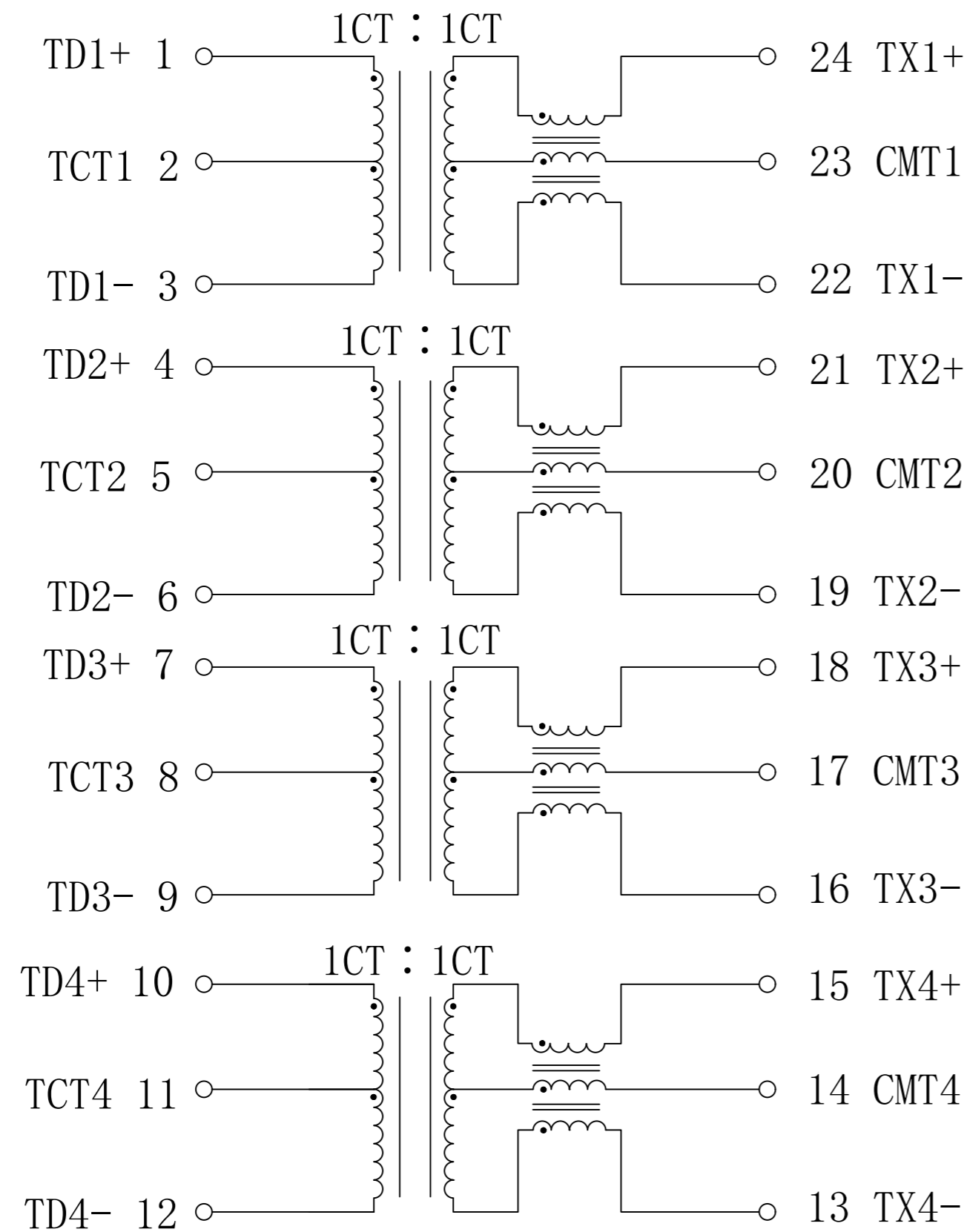


Schematic:



REV.	ECN NO.	DESCRIPTION	DATE	APPD
A	REL		2020-05-15	

Electrical Specifications @25°C

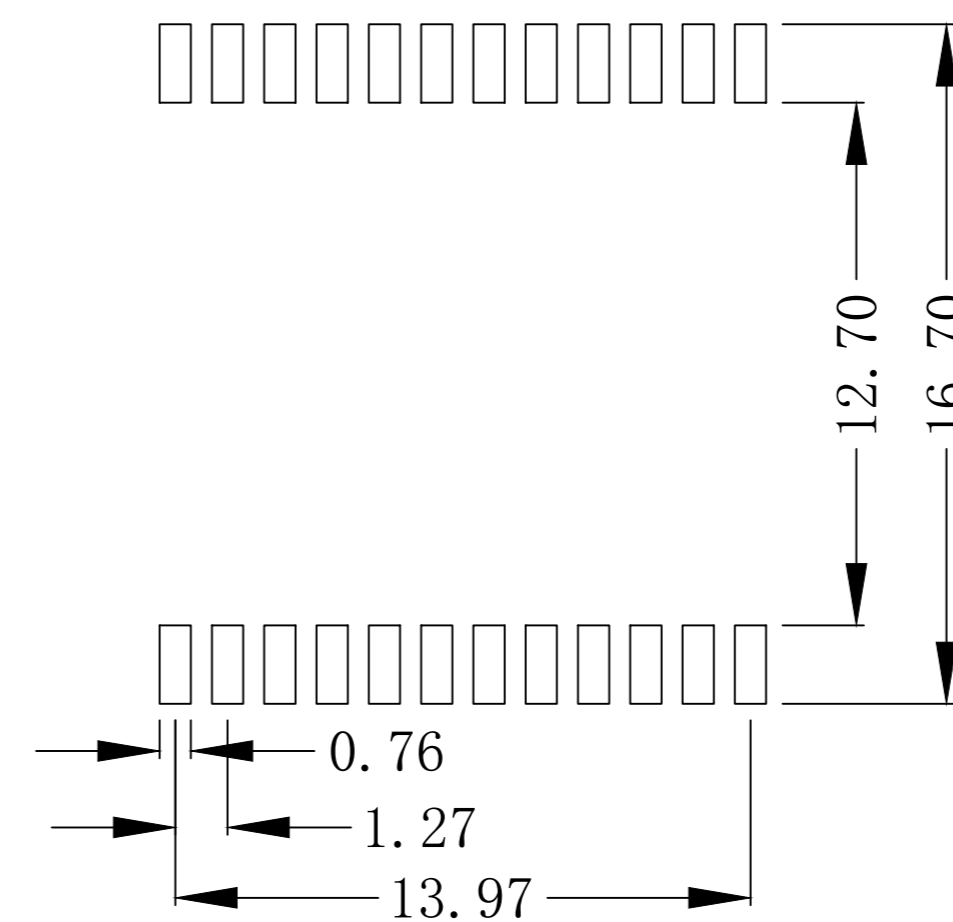
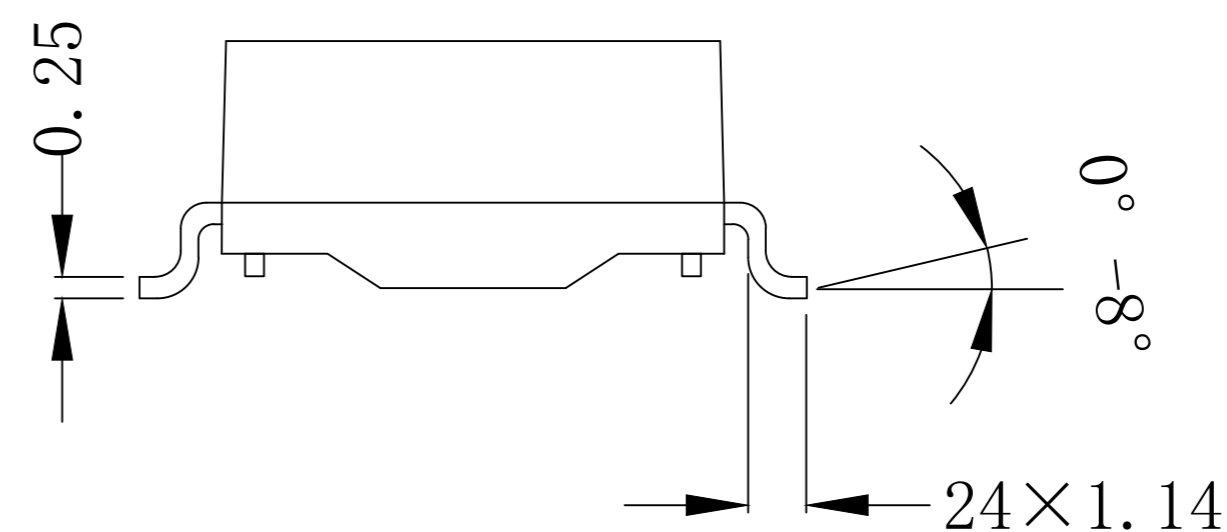
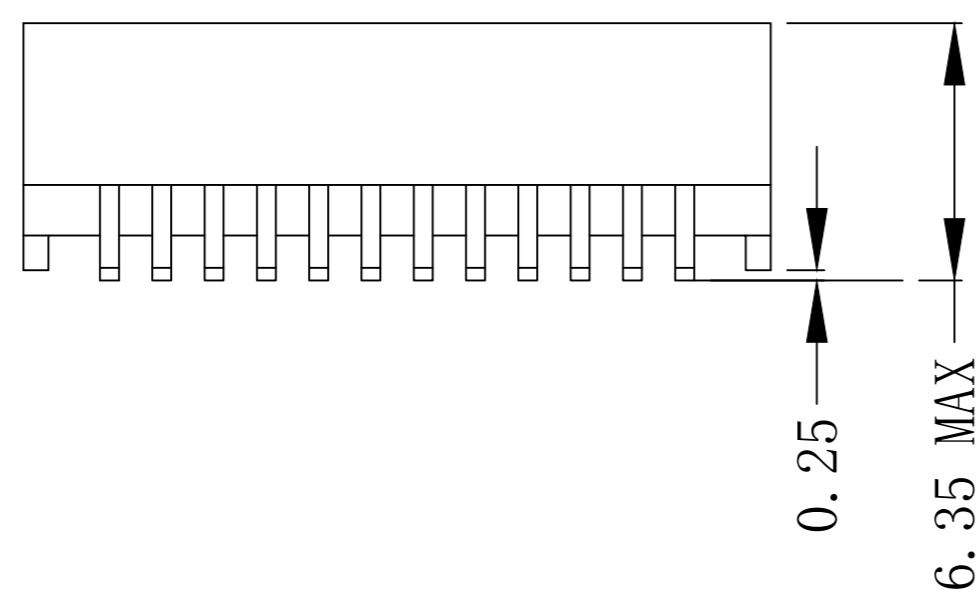
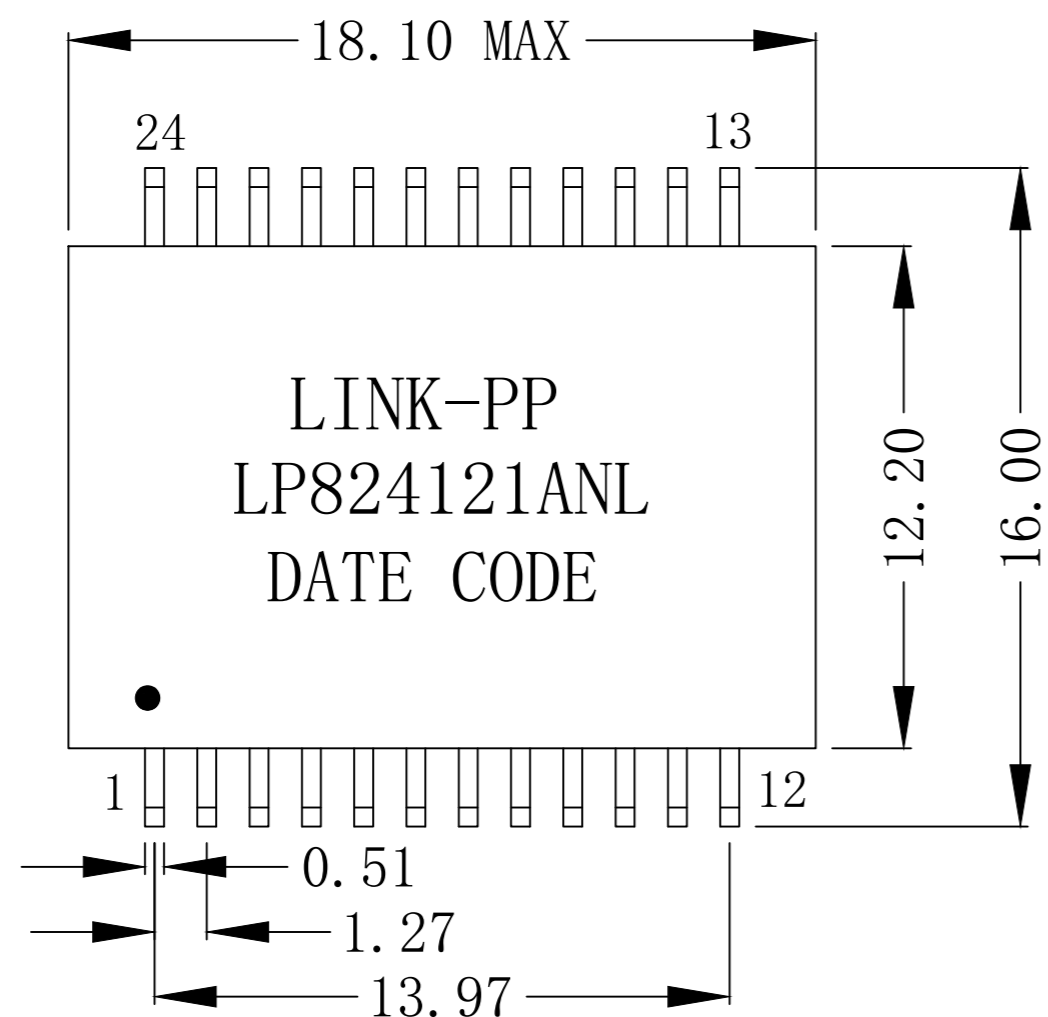
- Turns Ratio:
Pri : Sec = 1CT : 1CT ±5%
- OCL: 350uH Min
@100KHz, 100mV, 8mADC Bias
- Leakage Inductance: 0.5uH Max.
@100KHz, 0.1V.
- Cw/w: 28pF Max. @100KHz, 0.1V
- DC Resistance: 1.20 Ω Max
- Insertion Loss:
1-30MHz:-0.5dB Max 60MHz:-1.0dB Max
100MHz:-2.1dB Max
- Return Loss(dB Min):
1-30MHz:-18 40-50MHz:-14
60-80MHz:-10 100MHz:-8
- Crosstalk(dB Min):
1MHz:-50 10-100MHz:-55+22*LOG10(f/10)
- Common Mode Rejection(dB Min):
0.1MHz:-50
30-200MHz:-43+22*LOG10(f/30)
- Balance DC Line current:
350mA MAX, @57VDC Continuous;
- Hipot: 4000Vrms 1mA 60Second
- Operating Temperature: -40°C ~ +85°C.



X:X	APPD: TOM	LINK-PP INT'L TECHNOLOGY CO., LIMITED
X:XX ±0.25	CHKD: JAMES	
X:XXX	DR: LEO	TITLE: 10/100/1000Base-T Magnetic Modules For PoE Application
ANGLES ±1°	UNIT: mm	PART NO.: LP824121ANL
	SCALE: 2/1	SHEET: 1/2
	REV: A	DWG NO.: LP20051523

Mechanical:

REV.	ECN NO.	DESCRIPTION	DATE	APPD
A	REL		2020-05-15	



SUGGESTED PAD LAYOUT

NOTES:

1. Designed to support application, such as SOHO (ADSL modems), LAN-on-Motherboard (LOM), hub and Switches.
2. Meets IEEE 802.3af specification.
3. Maximum reflow temperature is 250°C, 5 Sec.
4. UL Certification: File Number E484635.



X:X	APPD: TOM	LINK-PP INT'L TECHNOLOGY CO., LIMITED
X:XX ±0.25	CHKD: JAMES	
X:XXX	DR: LEO	
ANGLES ±1°	UNIT: mm	TITLE: 10/100/1000Base-T Magnetic Modules For PoE Application
		PART NO.: LP824121ANL
	SCALE: 2/1	SHEET: 2/2
	REV: A	DWG NO.: LP20051523