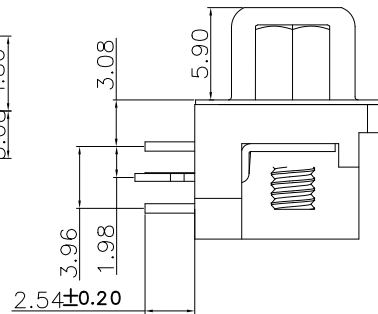
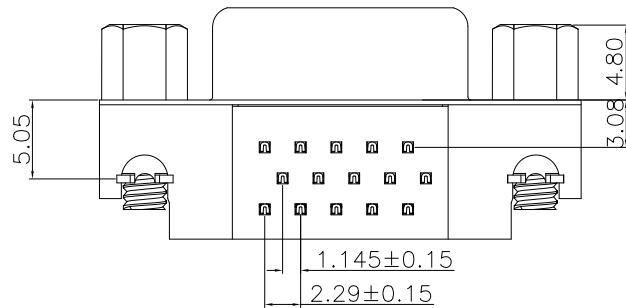
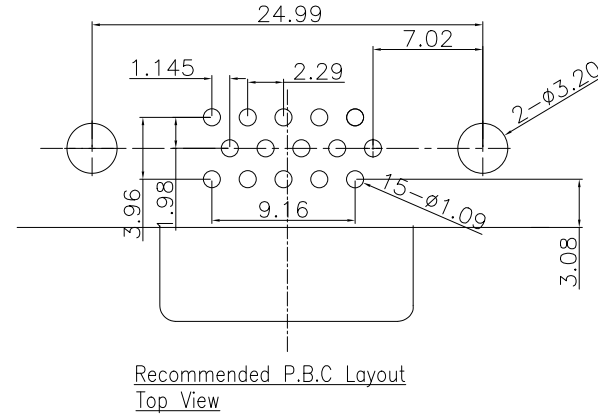
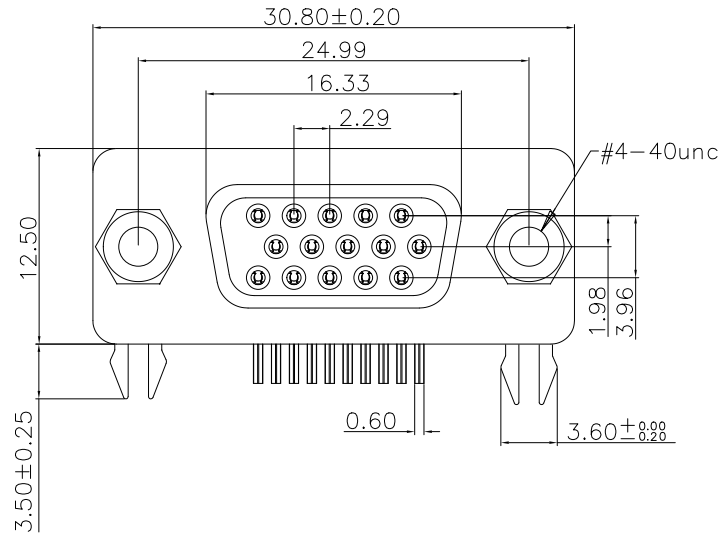


Mechanical:

REV.	ECN NO.	DESCRIPTION	DATE	APPD
A	REL		2022/10/17	



- NOTE:
- MATERIAL:
    - HOUSING:PBT. COLOR:
    - TERMINAL:C2680
    - SHELL:SPCC
    - SCREW:AISI 12L14
    - GROUNDING:SPCC
  - PLATING:
    - CONTACT: 80u" Min. **BRIGHT TIN PLATED ON SOLDER TAIL**  
50u" Min. NICKEL UNDER-PLAIED
    - SHELL:50u" Min, NICKEL PLATED OVERALL
    - GROUNDING:50u" Min, TIN PLATED OVERALL.
    - SCREW:50u" Min, NICKEL PLATED OVERALL.
  - SPECIFICATIONS:
    - VOLTAGE: 500 VAC(RMS) MAX.
    - CURRENT RATING: 3 AMPERE PER CONTACT
    - CONTACT RESISTANCE: 25 MILLIOHMS MAX.
    - INSULATION RESISTANCE: 1000 MEGOHMS MIN.
    - DIELECTRIC WITHSTANDING VOLTAGE: 500V AC(RMS)
    - OPERATING TEMPERATURE: -55°C~ +125°C



X:X	±0.25	APPD: TOM	LINK-PP INT'L TECHNOLOGY CO., LIMITED	
X:XX	±0.20	CHKD: JAMES	TITLE: HDR 15F 3.08 Lanquan Tin fork lock Foot length 2.54 Screws 4.8	
X:XXX	±0.05	DR: LEO		
ANGLES	±1°	UNIT: mm	PART NO.: LPD-SUB15105NL	
	SCALE: 2/1	SHEET: 1/1	REV: A	DWG NO.: LP22101730