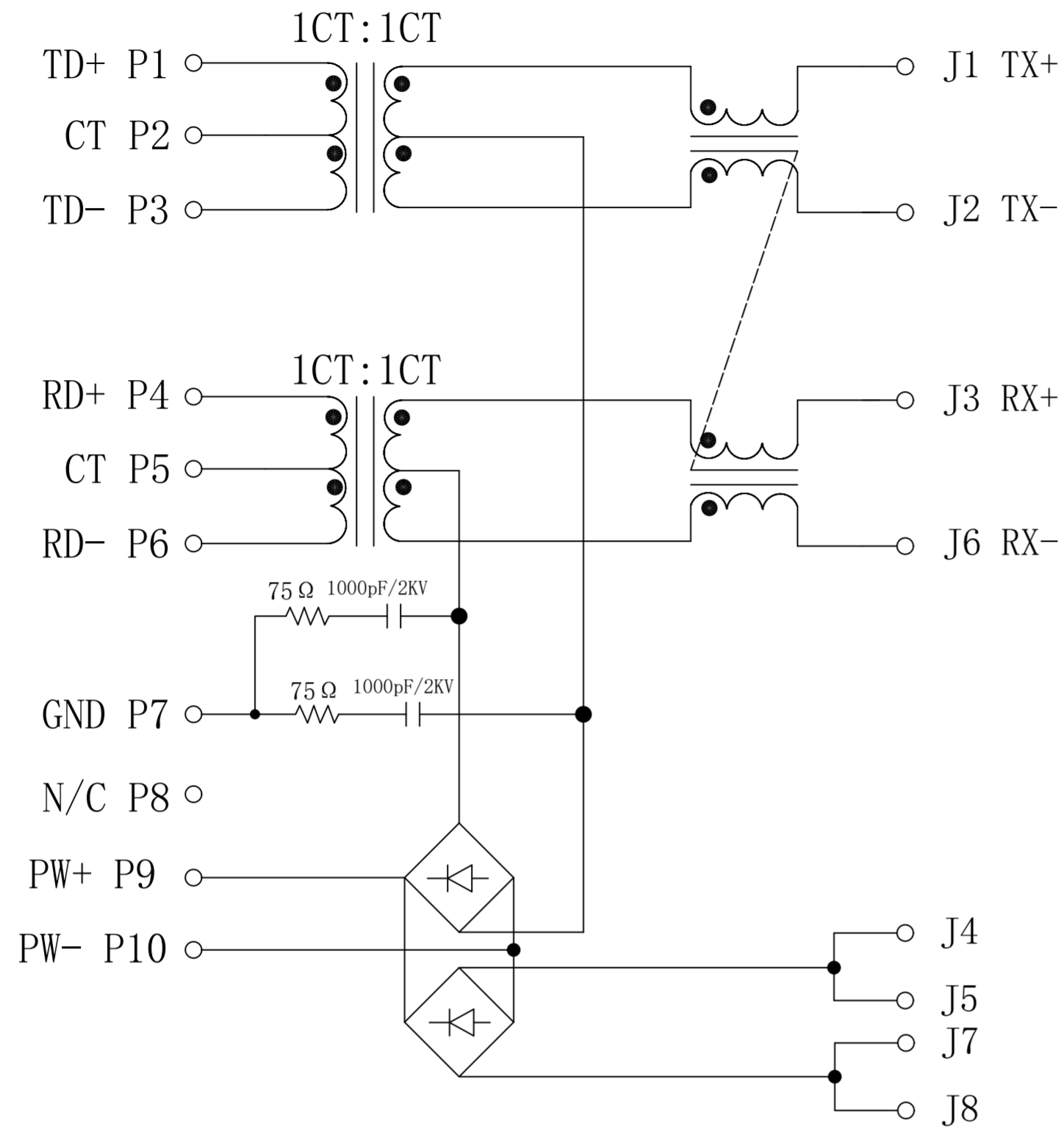


Schematic:

REV.	ECN NO.	DESCRIPTION	DATE	APPD
A	REL		2015-01-22	

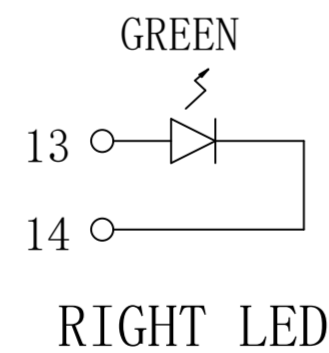
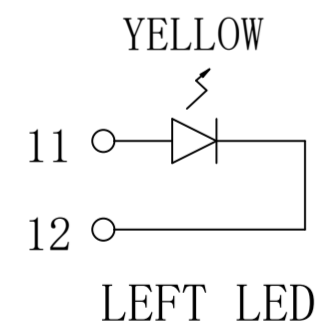
PC BOARD CONNECTIONS



RJ45 CONNECTOR

ELECTRICAL SPECIFICATIONS @25°C

- Turn Ratio(100KHz, 0.1V):  
 PINS:(1-3) : (J1-J2)=1 : 1 ±3%  
 PINS:(4-6) : (J3-J6)=1 : 1 ±3%
- OCL(100KHz, 100mV, 8mA DC Bias):  
 PINS:(1-3), (4-6)=350uH MIN
- Insertion Loss:  
 -1.1dB MAX @ 0.1~100MHz
- Return Loss:  
 -18dB MIN @ 0.5~30MHz  
 -15.5dB MIN @ 40MHz  
 -13.6dB MIN @ 50MHz  
 -12dB MIN @ 60~80MHz
- Cross talk:  
 -40dB TYP @ 0.1~100MHz
- Common Mode Rejection:  
 -50dB TYP @ 0.1~30MHz  
 -40dB TYP @ 30~60MHz  
 -30dB TYP @ 60~100MHz
- Balance DC Line current:  
 350mA MAX, @57VDC Continuous;
- Isolation PHY SIDE To Line SIDE : 1500Vrms
- Operating Temperature: 0°C TO 70°C.



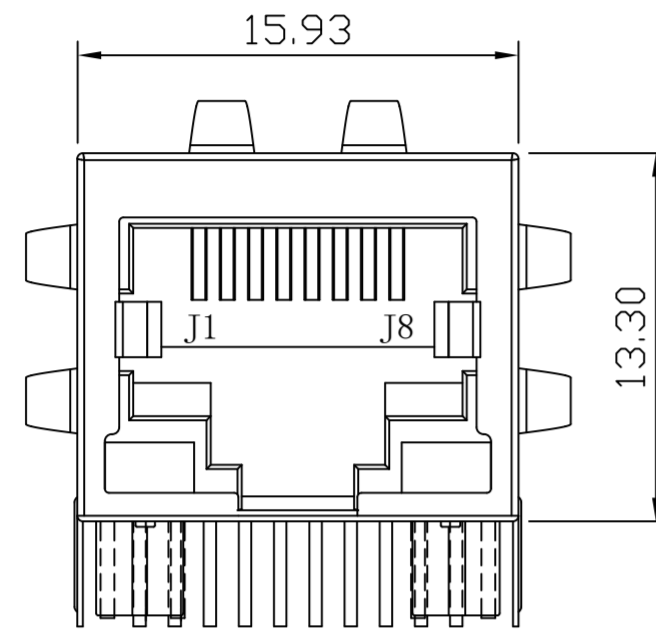
Emitting Color	$\lambda_p$ (nm)	V <sub>F</sub> @I <sub>F</sub> =20mA	I <sub>R</sub> @V <sub>R</sub> =5V
GREEN	565	1.8~2.6V	10 $\mu$ A max
YELLOW	585	1.8~2.6V	10 $\mu$ A max



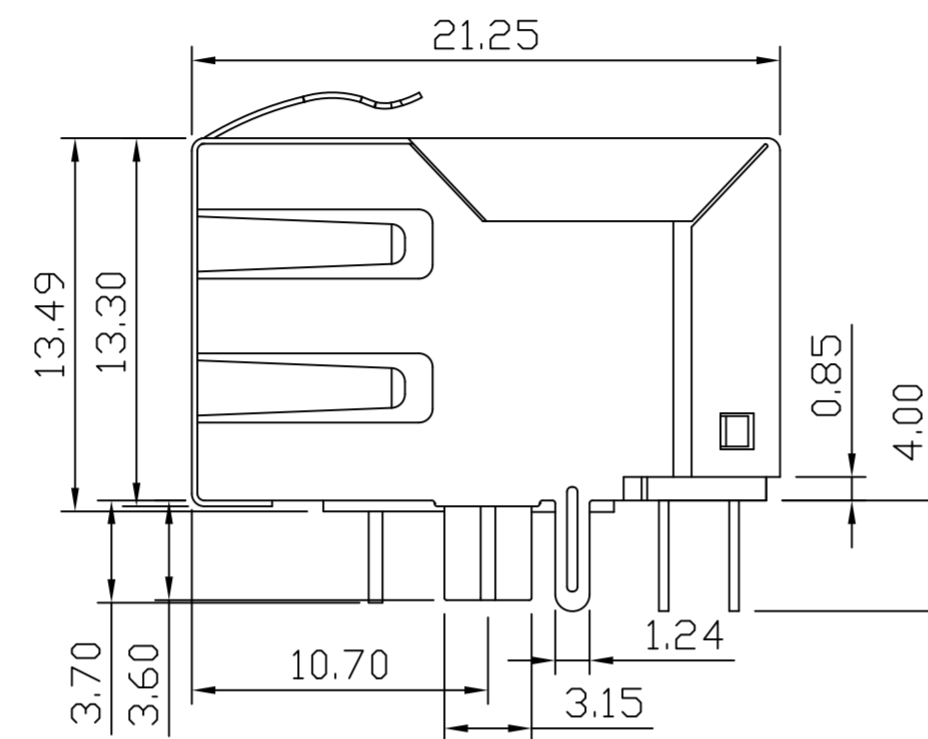
X:X ±0.30	APPD: TOM	LINK-PP INT'L TECHNOLOGY CO., LIMITED
X:XX ±0.25	CHKD: JAMES	
X:XXX ±0.05	DR: LEO	TITLE: RJ45 Connector with 10/100 Base-T Integrated Magnetics For PoE Application
ANGLES ±1°	UNIT: mm	PART NO.: LPJ0190-8GDNL
	SCALE: 2/1	SHEET: 1/2
	REV: A	DWG NO.: LP15012236

# Mechanical:

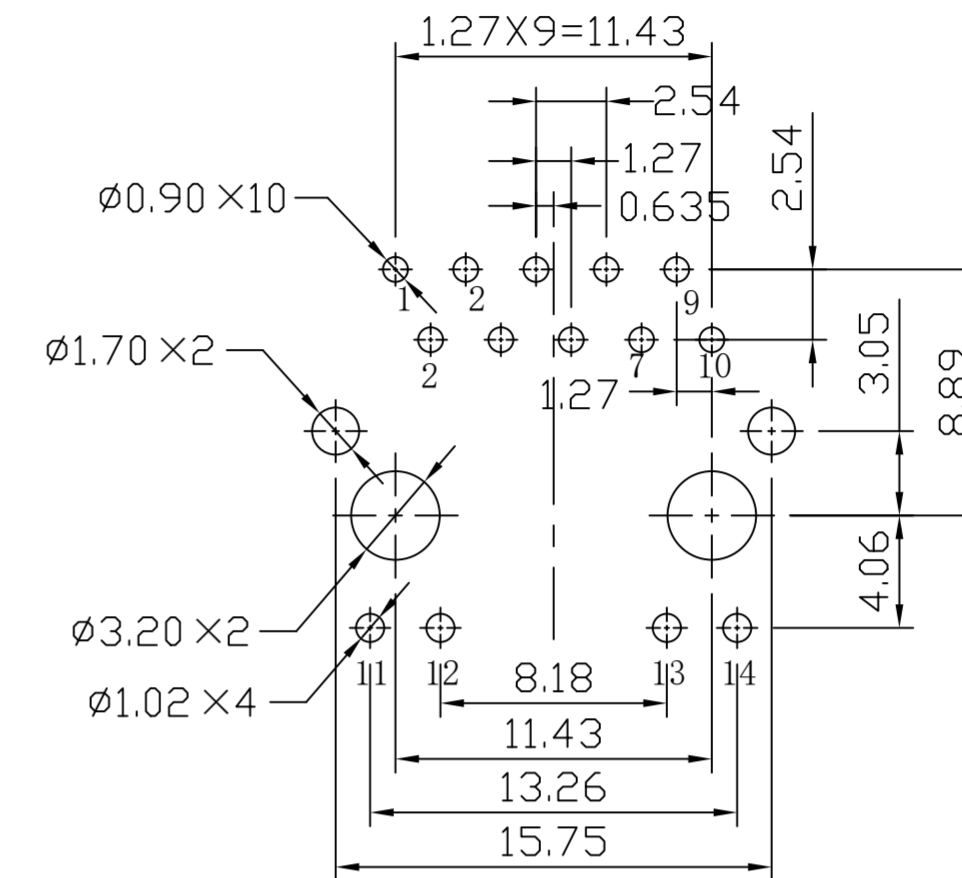
REV.	ECN NO.	DESCRIPTION	DATE	APPD
A	REL		2015-01-22	



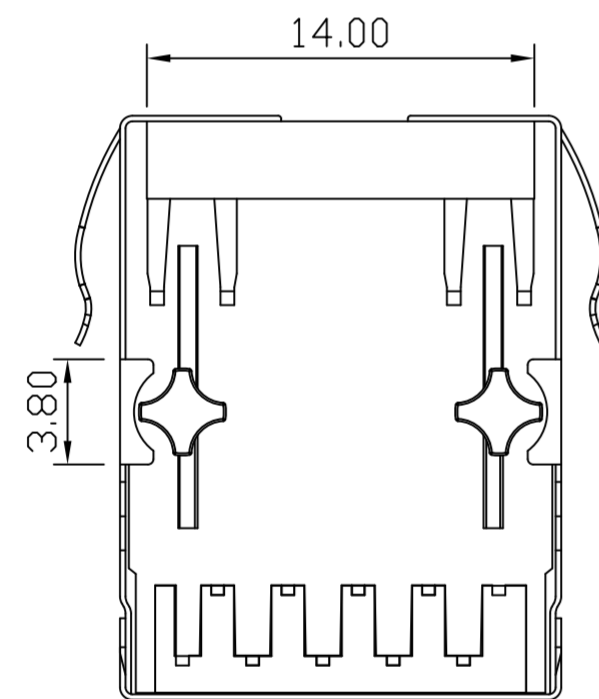
Front Side View



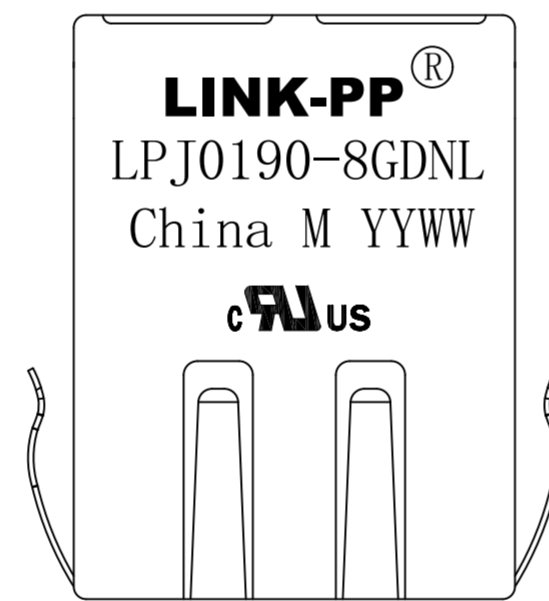
Left Side View



Suggested PCB Layout (Top View)



Bottom Side View



Top Side View

## NOTES:

1. Designed to support application, such as SOHO (ADSL modems), LAN-on-Motherboard (LOM), hub and Switches.
2. Meets IEEE802.3af specification
3. Connector Materials:  
 Housing: Thermoplastic PBT+30%G.F UL94V-0  
 Contact: Phosphor Bronze C5210R-EH Thickness=0.35mm  
 Pins: Brass C2680R-H Thickness=0.35mm  
 Shield: SUS 304-1/2H Thickness=0.2mm  
 Contact plating: Gold 30 micro-inches min. In contact area.
4. Wave solder tip temperature: 250°C, 5 Sec.
5. UL Certification: File Number E484635.

X:X	$\pm 0.30$	APPD:	TOM	LINK-PP INT'L TECHNOLOGY CO., LIMITED
X:XX	$\pm 0.25$	CHKD:	JAMES	
X:XXX	$\pm 0.05$	DR:	LEO	
ANGLES	$\pm 1^\circ$	UNIT:	mm	TITLE: RJ45 Connector with 10/100 Base-T Integrated Magnetics For PoE Application
				PART NO. : LPJ0190-8GDNL
	SCALE:	2/1	SHEET:	2/2
			REV:	A
			DWG NO. :	LP15012236