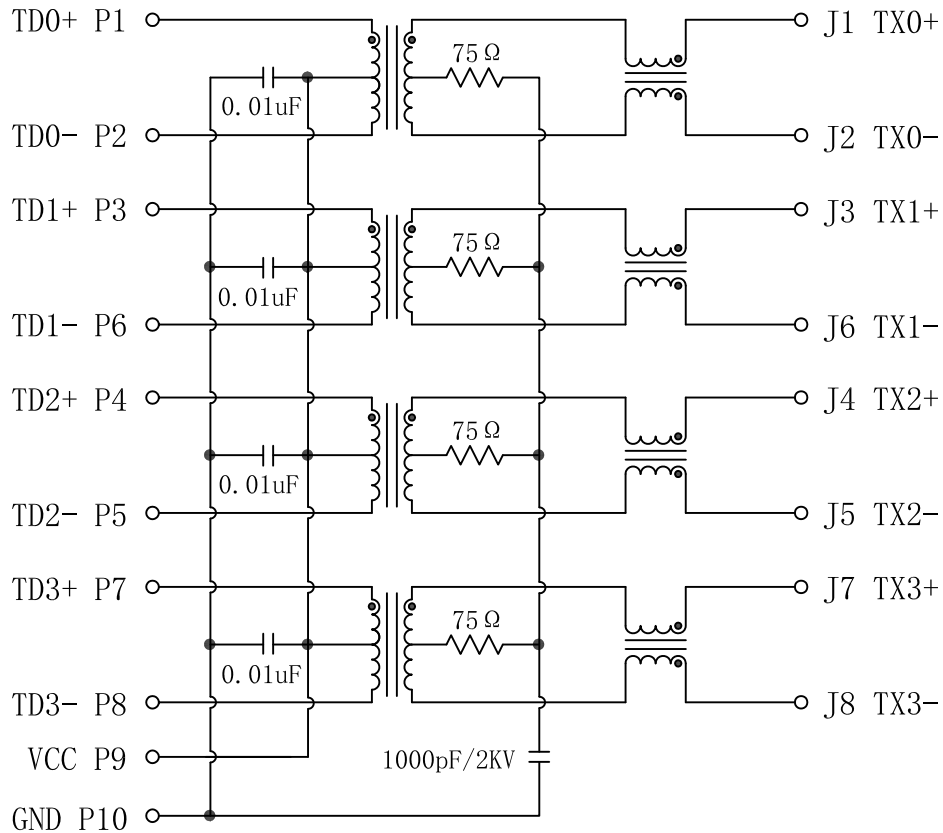


Schematic:

REV.	ECN NO.	DESCRIPTION	DATE	APPD
A	REL		2010/11/13	

PC BOARD CONNECTIONS



RJ45 CONNECTOR

Electronics Specifications @25°C

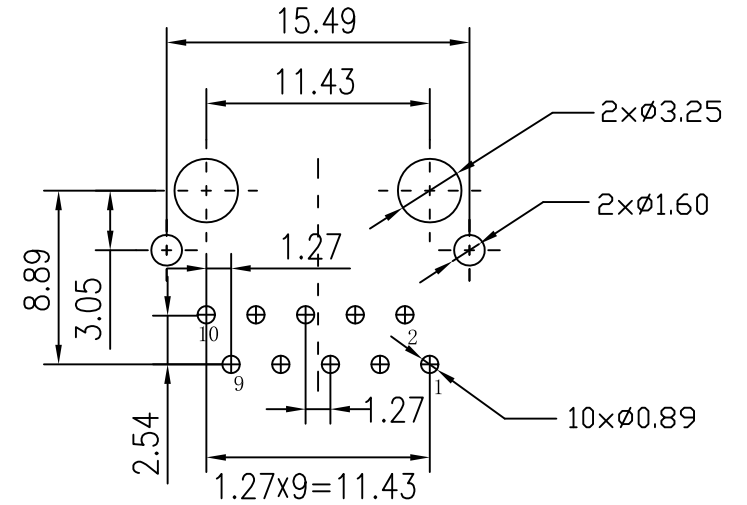
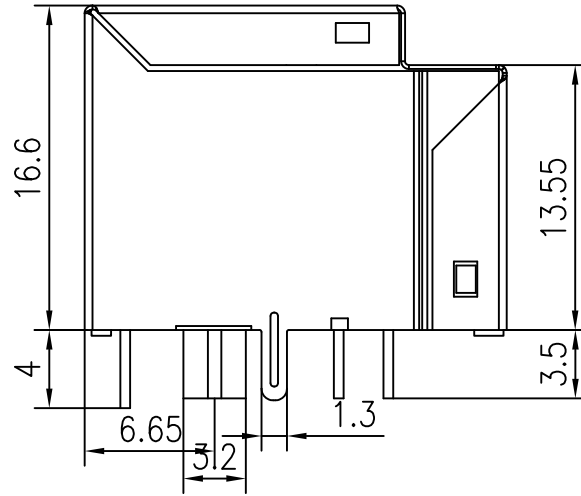
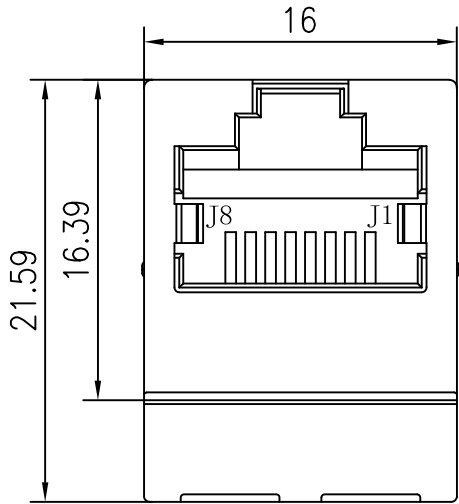
- Turns Ratio ($\pm 3\%$):
TX=1CT:1CT RX=1CT:1CT
- OCL: 350uH MIN
@100KHz, 0.1V, 8mADC Bias
- Isolation: 1500Vrms
- Insertion Loss:
-1.1dB MAX @ 1MHz TO 100MHz
- Return Loss:
-18dB MIN @ 1MHz TO 40MHz
-14dB MIN @ 60MHz
-12dB MIN @ 80MHz
-10dB MIN @ 100MHz
- Cross Talk:
-35dB TYP @ 1MHz TO 100MHz
- CMR:
-50dB TYP @ 0.1MHz TO 30MHz
-40dB TYP @ 30MHz TO 60MHz
-35dB TYP @ 60MHz TO 100MHz
- Operating Temperature: 0°C ~ +70°C.



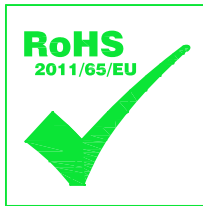
X:X	± 0.30	APPD:	LINK-PP INT'L TECHNOLOGY CO., LIMITED	
X:XX	± 0.25	CHKD:	TITLE: Vertical RJ45 Connector With 1000 Magnetic	
X:XXX	± 0.05	DR: TOM	PART NO.: LPJD0713BDNL	
ANGLES	$\pm 1^\circ$	UNIT: mm		
	SCALE: 2/1	SHEET: 1/2	REV: A	LP10111320

Mechanical :

REV.	ECN NO.	DESCRIPTION	DATE	APPD
A	REL		2010/11/13	

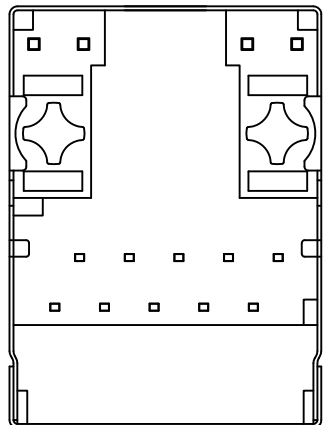


SUGGESTED PCB LAYOUT (TOP VIEW)



NOTES:

1. Designed to support application, such as SOHO (ADSL modems), LAN-on Motherboard (LOM), hub and Switches.
2. Meets IEEE 802.3 specification
3. Connector Materials:
 Housing Material: Thermoplastic PBT+30%G.F UL94V-0
 Contact Material: Phosphor Bronze C5210R-EH Thickness=0.35mm
 Pins: Brass C2680R-H Thickness=0.35mm
 Shield: Copper alloy Brass H65Y Thickness=0.2mm
 Contact plating: Gold 6 micro-inches Min. In contact area.
4. Wave solder tip temperature: 265°C Max, 5 Sec Max
5. UL Certification: File Number E484635.



X:X	±0.30	APPD:	LINK-PP INT'L TECHNOLOGY CO., LIMITED
X:XX	±0.25	CHKD:	
X:XXX	±0.05	DR: TOM	TITLE: Vertical RJ45 Connector With 1000 Magnetic
ANGLES	±1°	UNIT: mm	PART NO.: LPJD0713DNL
	SCALE: 2/1	SHEET: 2/2	REV: A DWG NO.: LP10111320