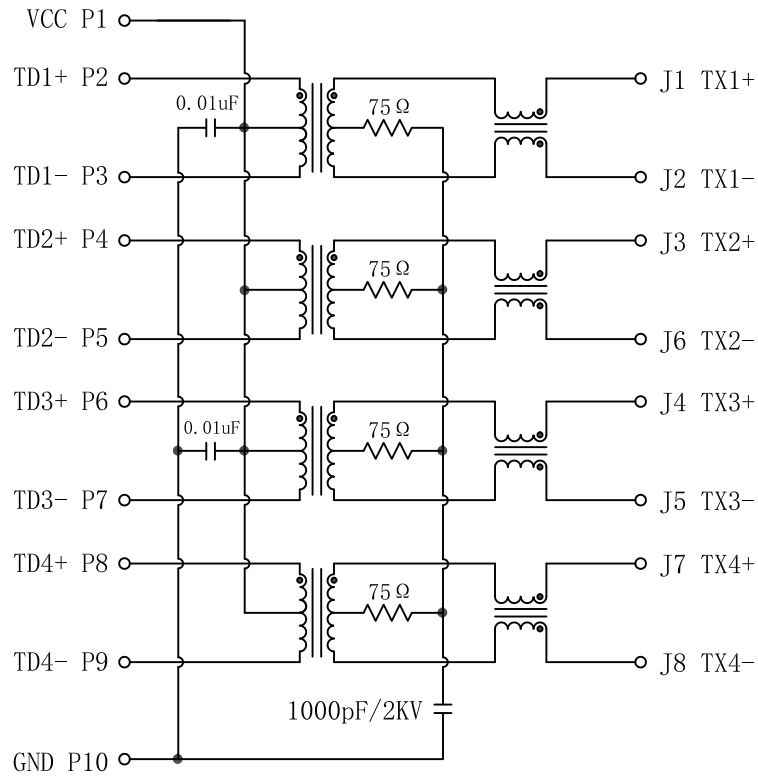


# Schematic:

REV.	ECN NO.	DESCRIPTION	DATE	APPD
A	REL		2017-09-13	

PC BOARD CONNECTIONS



RJ45 CONNECTOR

## ELECTRICAL SPECIFICATIONS @25°C

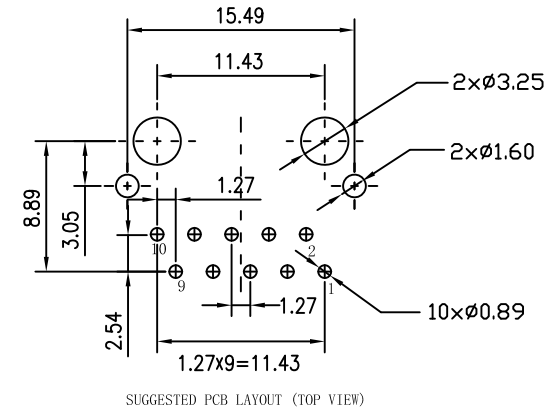
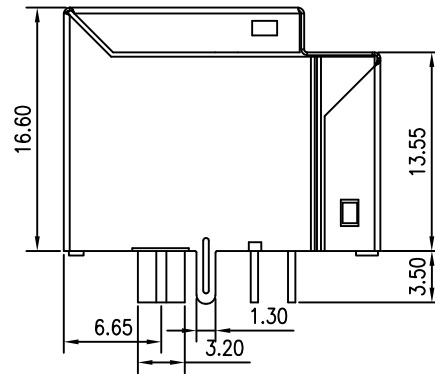
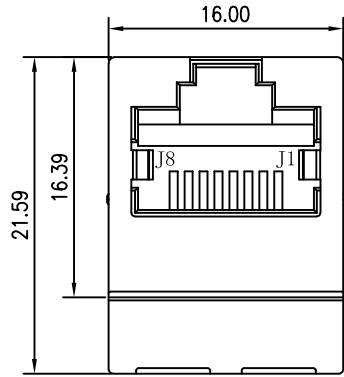
- Turn Ratio ( $\pm 2\%$ ):  
Pri : Sec = 1CT : 1CT
- Inductance OCL:  
350uH MIN @100KHz 0.1V 8mA DC Bias
- DCR:  
1.2  $\Omega$  MAX
- Insertion Loss:  
-1.0dB MAX @1~100MHz
- Return Loss:  
-18dB MIN @1~40MHz  
-14dB MIN @60MHz  
-12dB MIN @80MHz  
-10dB MIN @100MHz
- Cross talk:  
-35dB MIN @1~30MHz  
-32dB MIN @30~60MHz  
-30dB MIN @60~100MHz
- Common Mode Rejection:  
-30dB MIN @1~100MHz
- Hipot Test: 1500Vrms
- Operating Temperature Range: 0°C ~ 70°C



X:X	$\pm 0.30$	APPD:	LINK-PP INT'L TECHNOLOGY CO., LIMITED	
X:XX	$\pm 0.25$	CHKD:	TITLE: Vertical RJ45 Connector with 1000 Base-TX Integrated Magnetics	
X:XXX	$\pm 0.05$	DR: TOM		
ANGLES	$\pm 1^\circ$	UNIT: mm	PART NO.: LPJD0726DNL	
	SCALE: 2/1	SHEET: 1/2	REV: A	DWG NO.: LP17091332

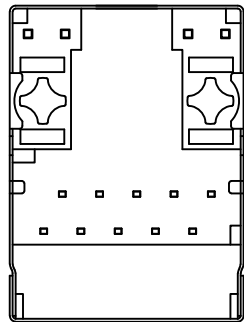
# Mechanical:

REV.	ECN NO.	DESCRIPTION	DATE	APPD
A	REL		2017-09-13	



## NOTES:

1. Designed to support application, such as SOHO (ADSL modems), LAN-on-Motherboard (LOM), hub and Switches.
2. Meets IEEE 802.3 specification
3. Connector Materials:  
 Housing Material: Thermoplastic PBT+30%G. F UL94V-0  
 Contact Material: Phosphor Bronze C5210R-EH Thickness=0.35mm  
 Pins: Brass C2680R-H Thickness=0.35mm  
 Shield: Copper alloy Brass H65Y Thickness=0.2mm  
 Contact plating: Gold 6 micro-inches min. In contact area.
4. Wave solder tip temperature: 250°C, 5 Sec.
5. UL Certification: File Number E484635.



X:X ±0.30	APPD:	LINK-PP INT'L TECHNOLOGY CO., LIMITED
X:XX ±0.25	CHKD:	
X:XXX ±0.05	DR: TOM	TITLE: Vertical RJ45 Connector with 1000 Base-TX Integrated Magnetics
ANGLES ±1°	UNIT: mm	PART NO.: LPJD0726DNL
	SCALE: 2/1	SHEET: 2/2
	REV: A	DWG NO.: LP17091332