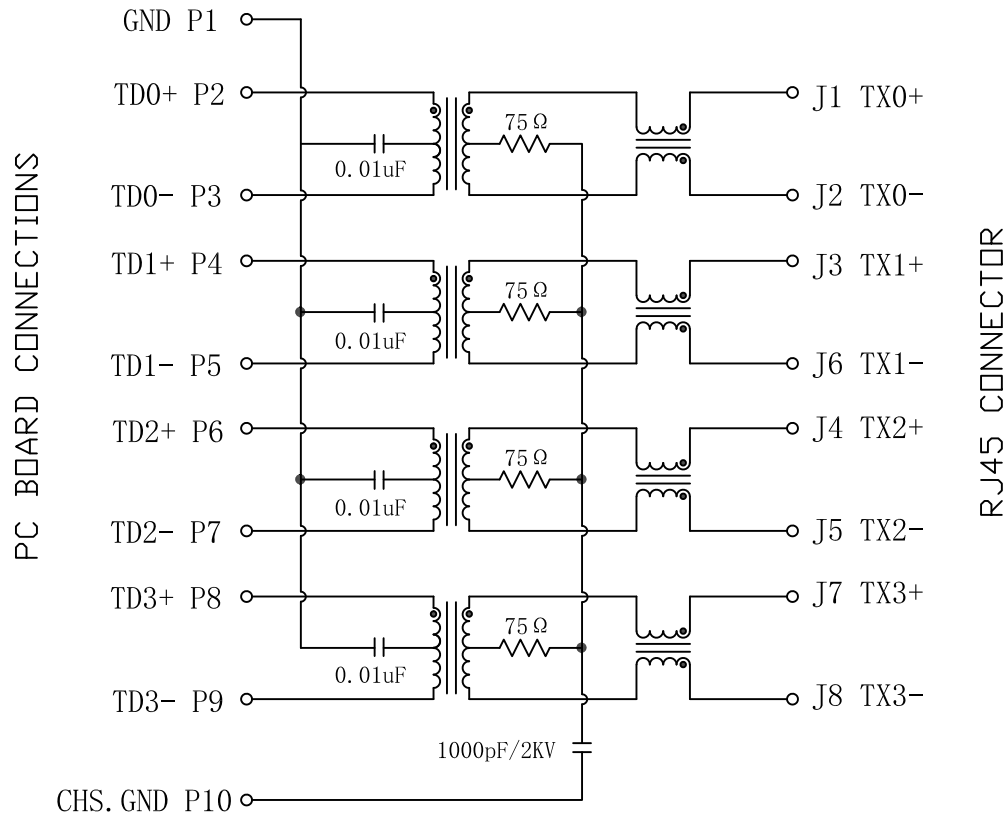


Schematic:

REV.	ECN NO.	DESCRIPTION	DATE	APPD
A	REL		2010/11/13	



ELECTRICAL SPECIFICATIONS @25°C

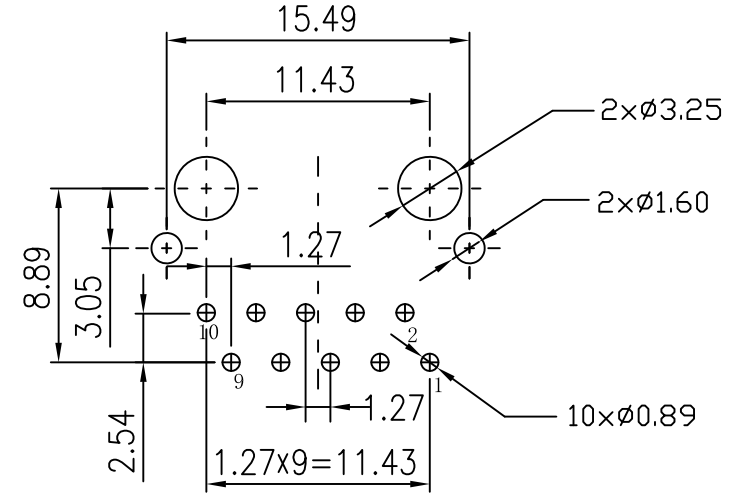
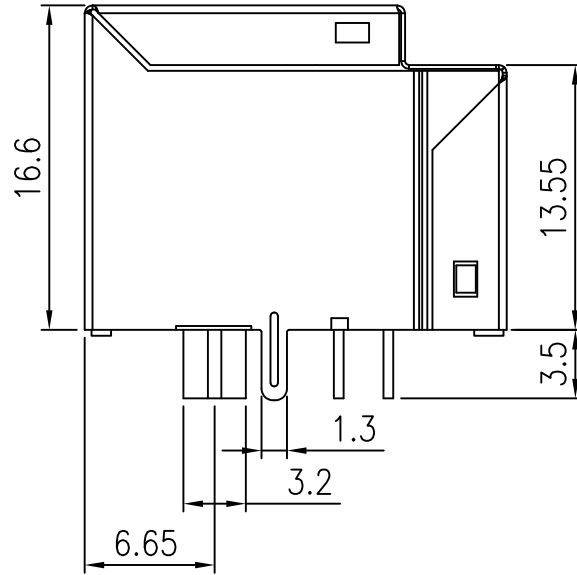
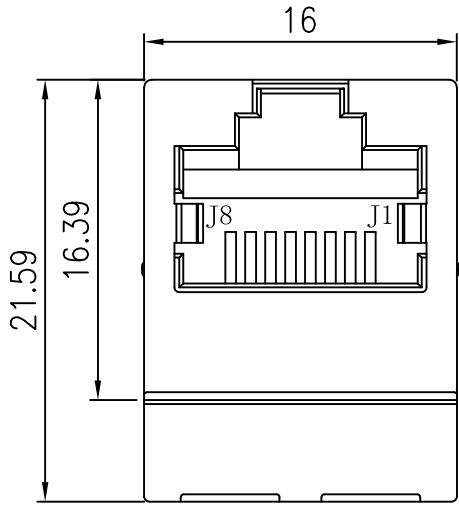
- Turn Ratio ($\pm 2\%$):
1CT : 1CT
- Inductance OCL: 350uH Min
@100KHz, 0.1V, 8mA DC Bias
- Insertion Loss:
-0.5dB Max @1-65MHz
-0.8dB Max @65-100MHz
-1.2dB Max @100-125MHz
- Return Loss:
-16dB Min. (Load 100 OHM) @1-30MHz
-13.5dB Min. (Load 100 OHM) @30-40MHz
-11.5dB Min. (Load 100 OHM) @40-50MHz
-10dB Min. (Load 100 OHM) @60-80MHz
- Cross talk:
-30dB MIN @1-100MHz
- Common Mode Rejection:
-30dB MIN @1-100MHz
- Hipot Test: 1500Vrms MIN
- Operating Temperature: 0°C ~ 70°C.



X:X	± 0.30	APPD:	LINK-PP INT'L TECHNOLOGY CO., LIMITED	
X:XX	± 0.25	CHKD:	TITLE: Vertical RJ45 Connector With 1000 Magnetic	
X:XXX	± 0.05	DR: TOM	PART NO.: LPJD0743DNL	
ANGLES	$\pm 1^\circ$	UNIT: mm	DWG NO.: LP10111362	
	SCALE: 2/1	SHEET: 1/2	REV: A	

Mechanical :

REV.	ECN NO.	DESCRIPTION	DATE	APPD
A	REL		2010/11/13	

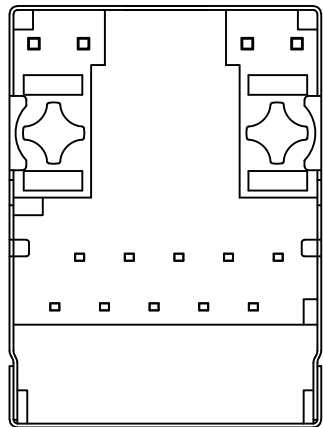


SUGGESTED PCB LAYOUT (TOP VIEW)



NOTES:

1. Designed to support application, such as SOHO (ADSL modems), LAN-on Motherboard (LOM), hub and Switches.
2. Meets IEEE 802.3 specification
3. Connector Materials:
 Housing Material: Thermoplastic PBT+30%G.F UL94V-0
 Contact Material: Phosphor Bronze C5210R-EH Thickness=0.35mm
 Pins: Brass C2680R-H Thickness=0.35mm
 Shield: Copper alloy Brass H65Y Thickness=0.2mm
 Contact plating: Gold 6 micro-inches Min. In contact area.
4. Wave solder tip temperature: 250°C, 5 Sec.
5. UL Certification: File Number E484635.



X:X	±0.30	APPD:	LINK-PP INT'L TECHNOLOGY CO., LIMITED	
X:XX	±0.25	CHKD:	TITLE: Vertical RJ45 Connector With 1000 Magnetic	
X:XXX	±0.05	DR: TOM	PART NO.: LPJD0743DNL	
ANGLES	±1°	UNIT: mm	DWG NO.: LP10111362	
	SCALE: 2/1	SHEET: 2/2	REV: A	