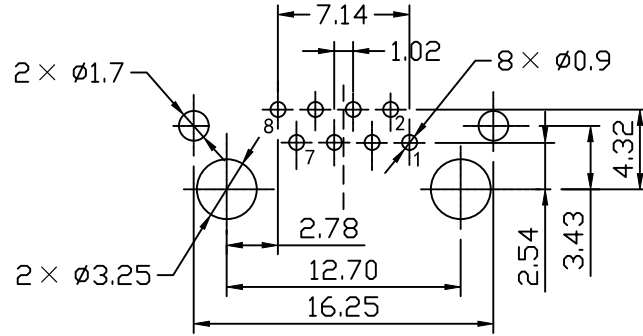
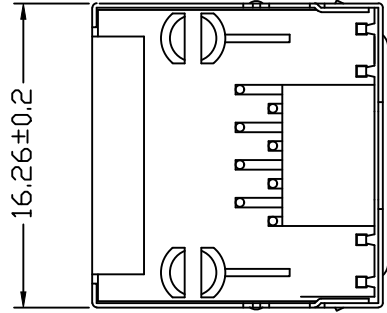
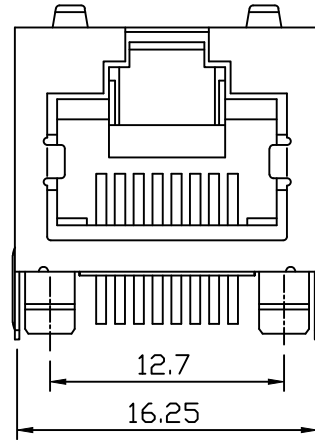
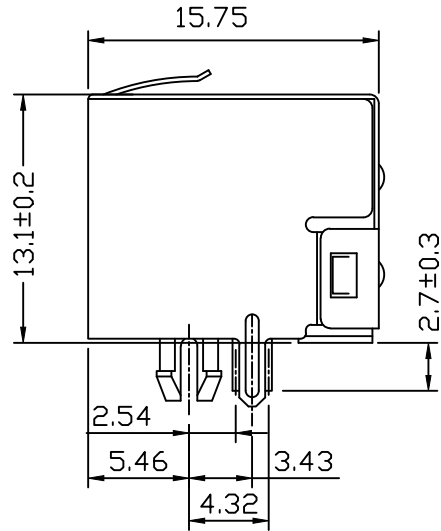


Mechanical:

REV.	ECN NO.	DESCRIPTION	DATE	APPD
A	REL		2017/09/17	



SUGGESTED PCB LAYOUT (TOP VIEW)



NOTES:

Electrical:

- Voltage rating : 125 VAC RMS
- Current Rating : 1.5 AMP
- Contact resistance : 50 mΩ Max
- Insulation resistance : 500 MΩ Min @500V DC
- Dielectric strength : 1000 VAC RMS 60Hz, 1MIN.

MECHANICAL:

- Housing & Insert Material : PBT UL94V-0.
- Contact Material : Diameter 0.46mm Phosphor Bronze Gold Plating Over Nickel.
- Shield : 0.20-0.25mm Thickness Brass With tin Plated
- Operating Life : 750 Cycles Min.

ENVIRONMENTAL:

- Storage : -40°C ~ +85°C
- Operation : -40°C ~ +85°C.
- Wave solder temperature : 265°C 5 Sec MAX
- UL Certification : File Number E484635.



X:X ±0.30	APPD:	LINK-PP INT'L TECHNOLOGY CO., LIMITED
X:XX ±0.25	CHKD:	
X:XXX ±0.05	DR: James	TITLE: RJ45 1×1 CONNECTOR
ANGLES ±1°	UNIT: mm	PART NO.: LPJE101CNL-1
	SCALE: 2/1	SHEET: 1/1
	REV: A	DWG NO.: LP17091706