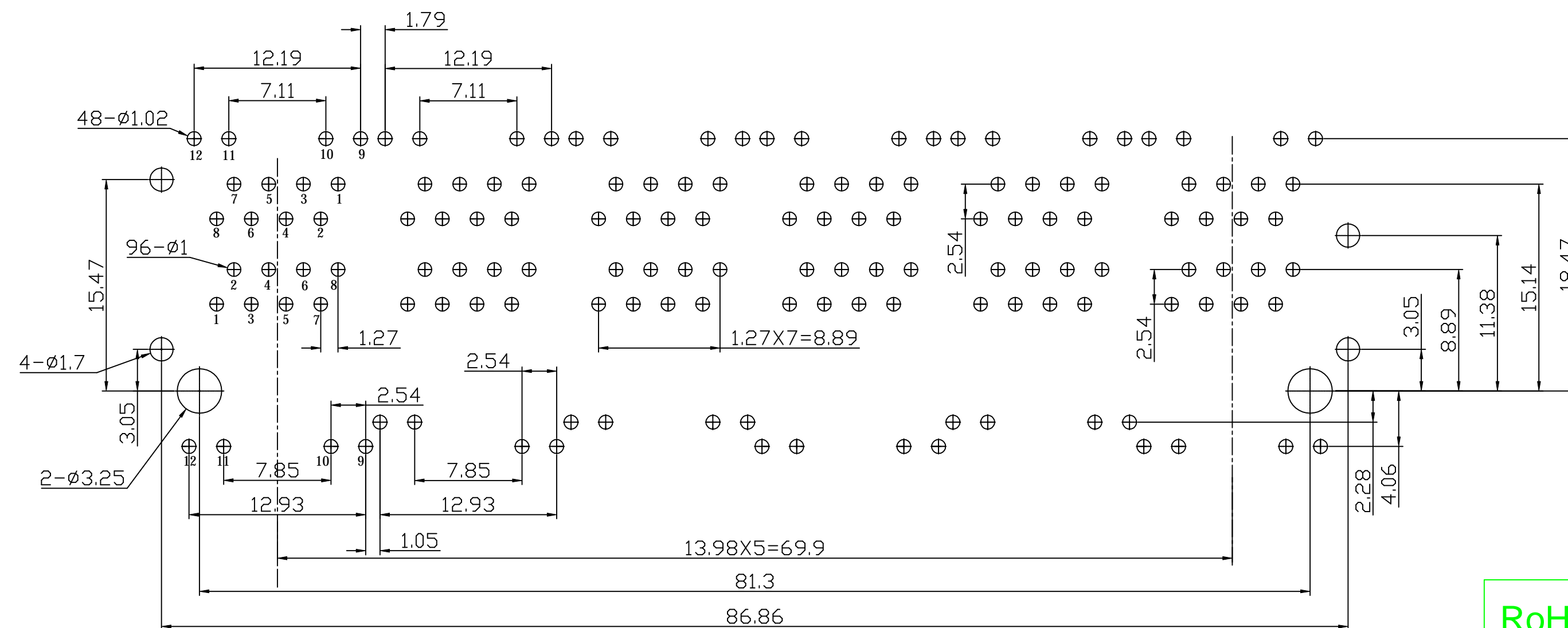
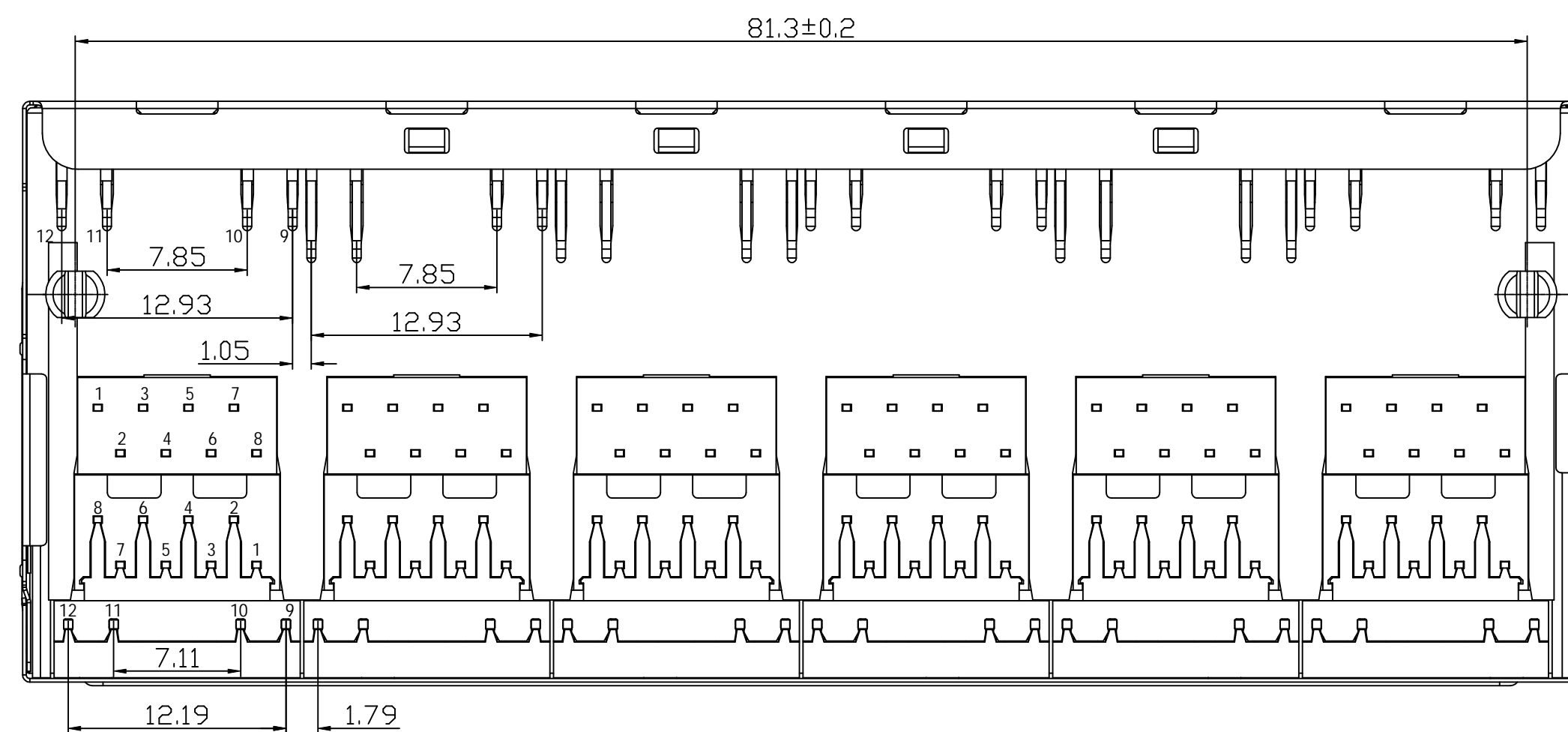
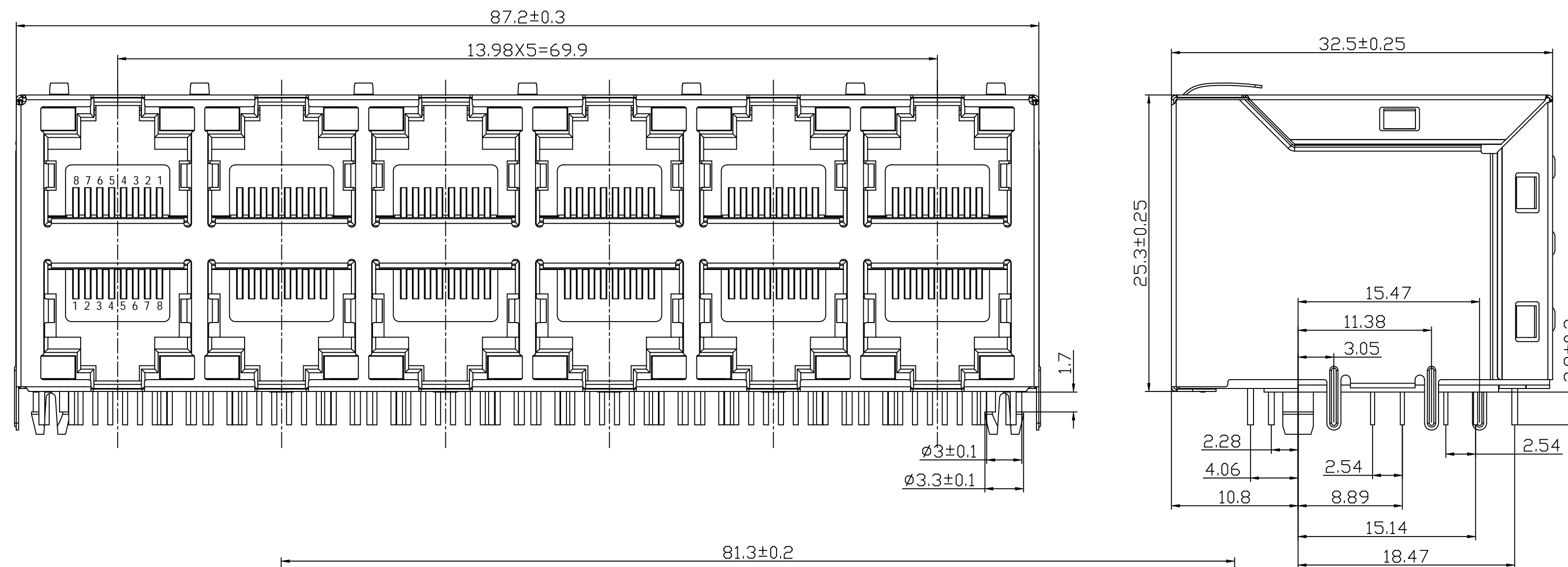
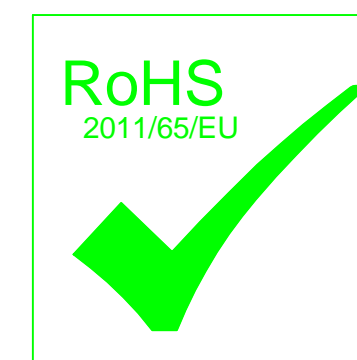


Mechanical :

REV.	ECN NO.	DESCRIPTION	DATE	APPD
A	REL		2023-11-05	



RECOMMENDED PCB LAYOUT(TOP VIEW)



NOTES:

ELECTRICAL:

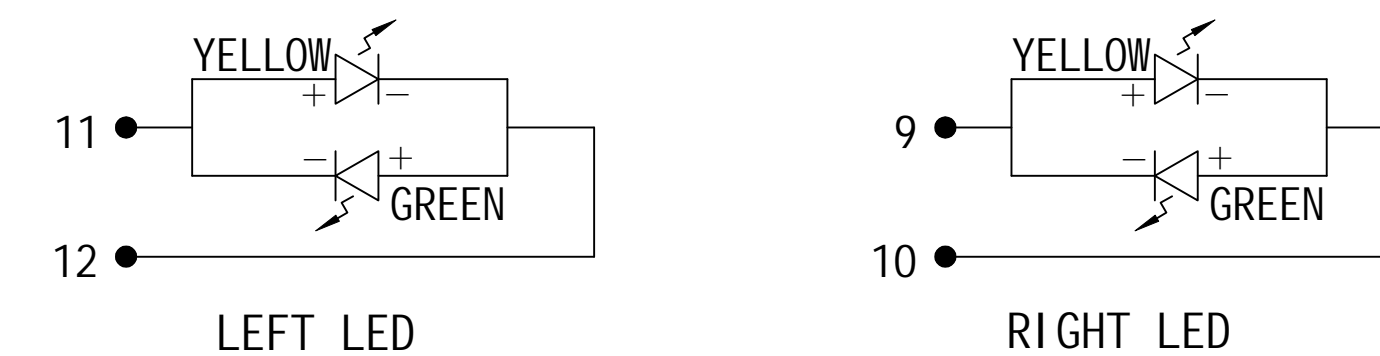
1. VOLTAGE RATING: 125V AC.
2. CURRENT RATING: 1.5A.
3. CONTACT RESISTANCE: 50 mΩ MAX.
4. INSULATION RESISTANCE: 500 MΩ MIN @ 500V DC.
5. DIELECTRIC STRENGTH: 1000V AC 50Hz or 60Hz, 1MIN.

MECHANICAL:

1. HOUSING MATERIAL: GLASS FILLED POLYESTER (PBT UL94V-0).
2. CONTACT MATERIAL: PHOSPHOR BRONZE (FLAT PIN T=0.35MM)
3. CONTACT PLATING: GOLD FLASH OVER NICKEL IN CONTACT AREA.
4. SHIELD: 0.20mm THICKNESS COPPER ALLOY PLATED NICKEL
5. MATING/UNMATING FORCE: 2.2KG.F MAX.
6. RETENTION STRENGTH: 5.0KG.F MIN BETWEEN JACK AND PLUG.
7. OPERATING LIFE: 750 CYCLES MIN.

ENVIRONMENTAL:

1. STORAGE: -40°C ~ +85°C RELATIVE HUMIDITY<70%.
2. OPERATION: -40°C ~ +85°C.
3. WAVE SOLDER TIP TEMPERATURE AND TIME: 250°C, 5 SEC.
4. UL CERTIFICATION: FILE NUMBER E484635



EMITTING COLOR	λ p(nm)	VF @IF=20mA	IR @VR=5V
GREEN	565	1.8~2.1V	10 μA max
YELLOW	585	1.8~2.1V	10 μA max

X.X	±0.30	APPD: TOM	LINK-PP INT'L TECHNOLOGY CO., LIMITED	
X.XX	±0.25	CHKD: JAMES	TITLE:	
X.XXX	±0.15	DR: JULY	RJ45 2X6 8P8C CONNECTOR WITH LED	
ANGLES	±1°	UNIT: mm	PART NO.: LPJE265-0147NLF	
	SCALE: 2/1	SHEET: 1/1	REV: A	DWG NO.: LP23110512