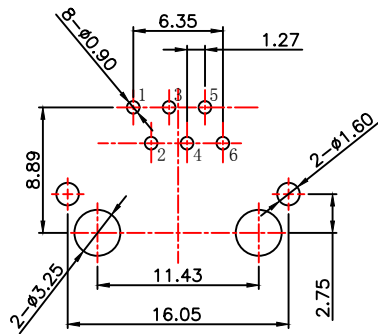
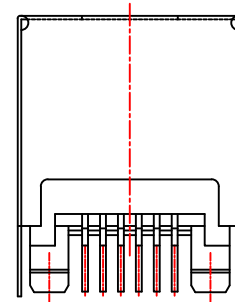
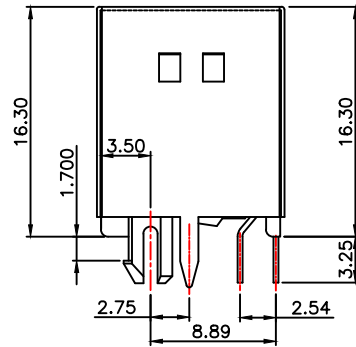
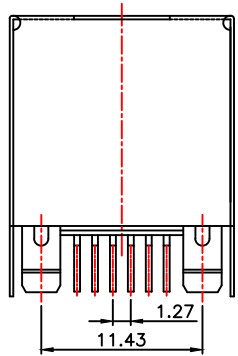
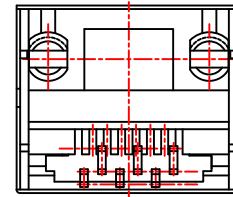
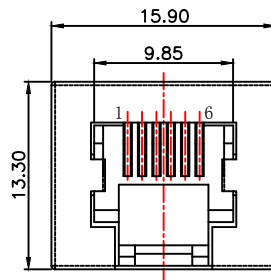


Mechanical:

REV.	ECN NO.	DESCRIPTION	DATE	APPD
A	REL		2020-11-18	



PCB LAYOUT/TOP VIEW



NOTES:

HOUSING: ENGINEERING THERMOPLASTIC FLAMMABILITY UL 94V-0

CONTACTS: PHOSPHOR BRONZE

PLATING: GOLD PLATING OVER NICKEL IN CONTACT.

TIN PLATING OVER NICKEL IN SOLDER AREA.

SHIELD: BRASS PLATING NICKEL ALLOY

Electrical:

1. Voltage Rating: 125 Vac Rms.

2. Current Rating: 1.5 Amp.

3. Contact Resistance: 40 Milliohms Max.

4. Insulation Resistance: 1000 Megohms Min @500 Vdc.

5. Dielectric Strength: 1000 Vac Rms 60Hz, 1Min.

Mechanical:

1. Operating: 750 Cycles Min.

Environmental:

1. Storage: -40° C To +85° C.

2. Operation: -20° C To +75° C.

3. UL Certification: File Number E484635.

X:X	±0.30	APPD:	TOM	LINK-PP INT'L TECHNOLOGY CO., LIMITED
X:XX	±0.25	CHKD:	JAMES	
X:XXX	±0.05	DR:	LEO	TITLE: TOP ENTRY PCB JACK
ANGLES	±1°	UNIT:	mm	PART NO.: LPJE6601DNL
	SCALE: 2/1	SHEET: 2/2	REV: A	DWG NO.: LP20111801

