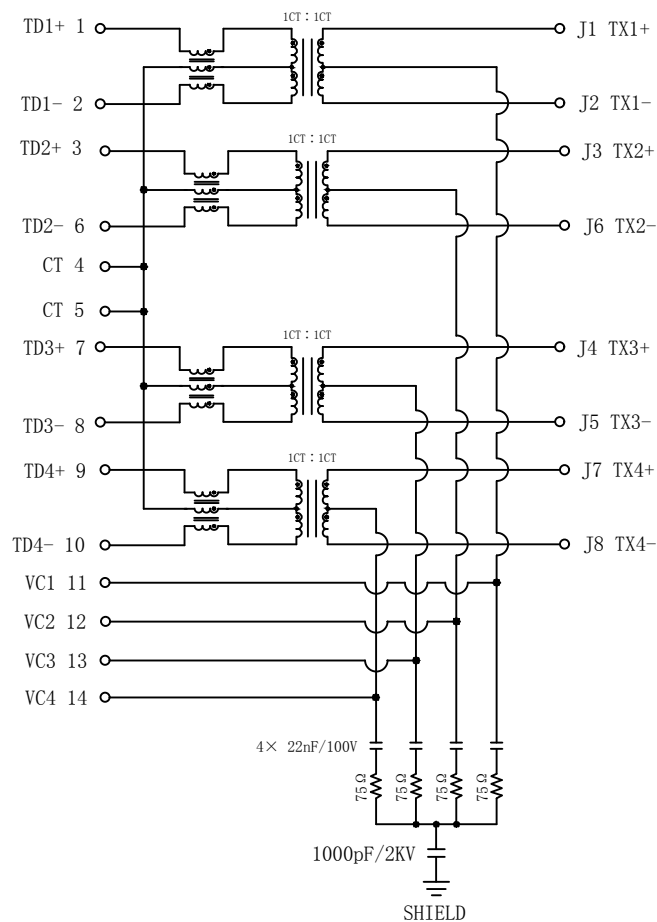


Schematic:

REV.	ECN NO.	DESCRIPTION	DATE	APPD
A6	REL		2018-02-26	

PC BOARD CONNECTIONS

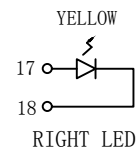
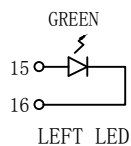


RJ45 CONNECTOR

ELECTRICAL SPECIFICATIONS @25°C

- Turn Ratio(±5%):
Pri : Sec = 1CT : 1CT
- Inductance OCL:
350uH MIN @100KHz/0.1V, 8mA DC Bias
120uH MIN @100KHz/0.1V, 18mA DC Bias
- Insertion Loss:
-1.0dB MAX @1-100MHz
-1.2dB MAX @100-125MHz
- Return Loss:
-16dB MIN @1-40MHz
-12dB MIN @40-60MHz
-10dB MIN @60-80MHz
-8dB MIN @80-100MHz
- Cross talk:
-30dB MIN @1-100MHz
- Common to Common Mode Rejection:
-30dB MIN @1-100MHz
- DC Current/Voltage Rating pse Pins:
720mA MAX @57VDC(Continuous)
- Isolation PHY SIDE To Line SIDE : 1500Vrms
- Operating Temperature: 0°C to 70°C.

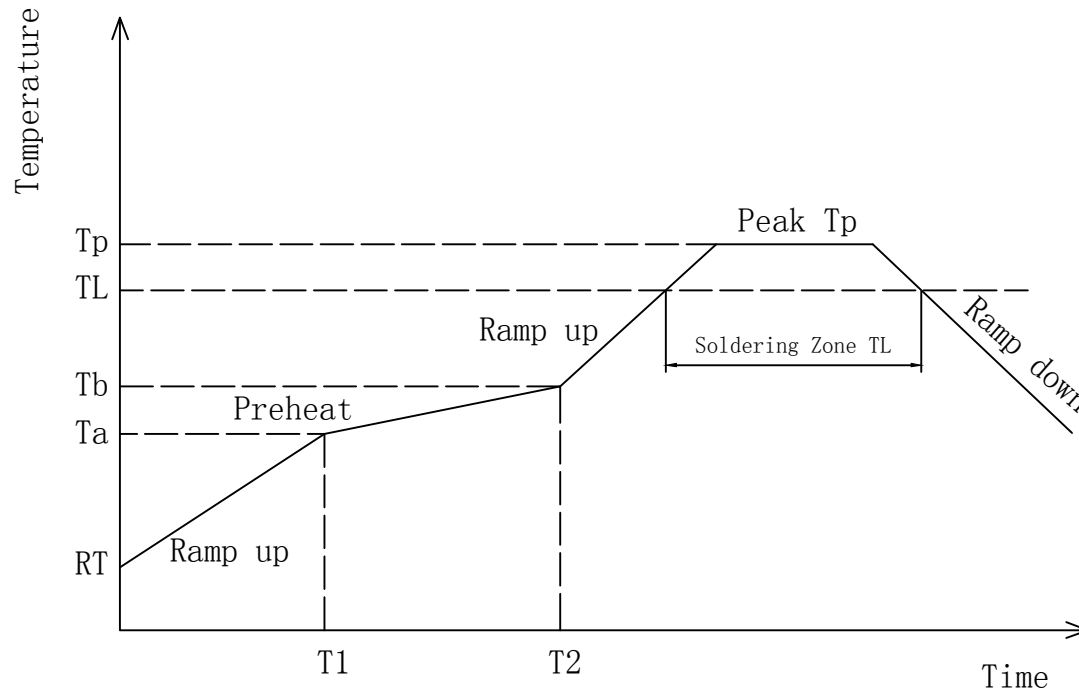
Emitting Color	λp(nm)	VF@IF=20mA	IR @VR=5V
GREEN	565	1.8~2.6V	10 μA max
YELLOW	585	1.8~2.6V	10 μA max



X:X ±0.30	APPD: TOM	LINK-PP INT'L TECHNOLOGY CO., LIMITED
X:XX ±0.25	CHKD: JAMES	
X:XXX ±0.05	DR: LEO	TITLE: RJ45 Connector with 1000 Base-T Integrated Magnetics For PoE+ Application
ANGLES ±1°	UNIT: mm	PART NO.: LPJG0926HENLS4R
	SCALE: 2/1	SHEET: 1/4
	REV: A6	DWG NO.: LP19091838

IR Reflow:

REV.	ECN NO.	DESCRIPTION	DATE	APPD
A6	REL		2018-02-26	



Preheat:
 Temperature (Ta-Tb) : 150-200°C
 Time (t1-t2) : 60-180s

Holding Temperature: 217°C
 Time (TL) : 60-150s

Max Temperature (Tp) : 250 (+0/-5°C)
 Max Time (Tp) : 5s

The average speed: 3°C/S Max
 The average cooling speed: 6°C/S Max

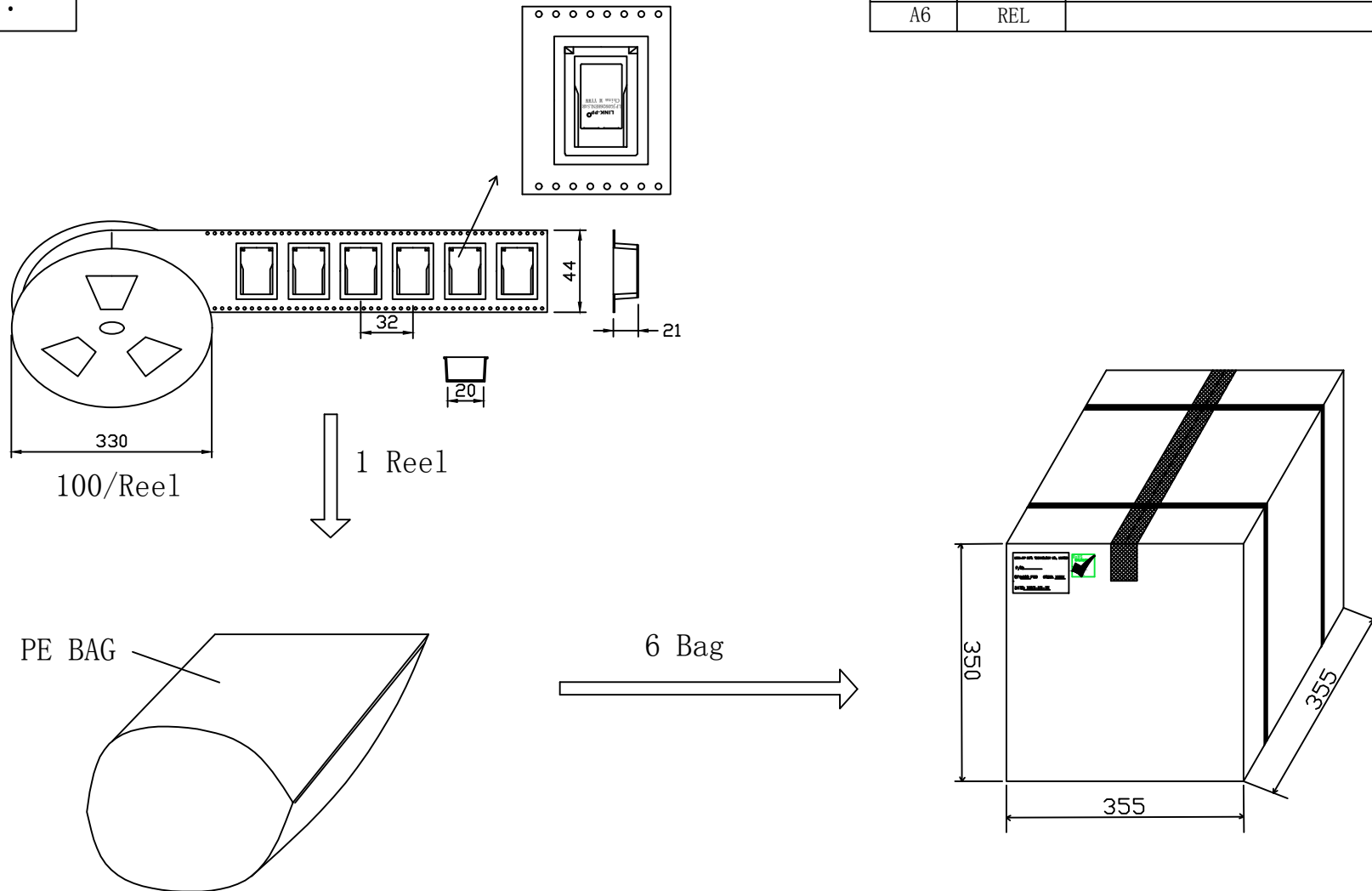
From 25°C to Products out of the furnace: 6 minutes Max



X:X ±0.30	APPD: TOM	LINK-PP INT'L TECHNOLOGY CO., LIMITED
X:XX ±0.25	CHKD: JAMES	
X:XXX ±0.05	DR: LEO	TITLE: RJ45 Connector with 1000 Base-T Integrated Magnetics For PoE+ Application
ANGLES ±1°	UNIT: mm	PART NO.: LPJG0926HENLS4R
	SCALE: 2/1	SHEET: 3/4
	REV: A6	DWG NO.: LP19091838

Packing:

REV.	ECN NO.	DESCRIPTION	DATE	APPD
A6	REL		2018-02-26	



- ◆ Packaging unit: 100 pcs/ reel
- ◆ Packaging way: Carrier tape
- ◆ Outer carton unit: 600 pcs/6 Reel/box
- ◆ Net Weight: 4.5 kg
- ◆ Gross Weight: 7 kg



X:X	±0.30	APPD: TOM	LINK-PP INT'L TECHNOLOGY CO., LIMITED
X:XX	±0.25	CHKD: JAMES	
X:XXX	±0.05	DR: LEO	TITLE: 1*1 21.25mm RJ45 PACKING
ANGLES	±1°	UNIT: mm	PART NO.: LPJG0926HENLS4R
	SCALE: 2/1	SHEET: 4/4	REV: A6
			DWG NO.: LP19091838