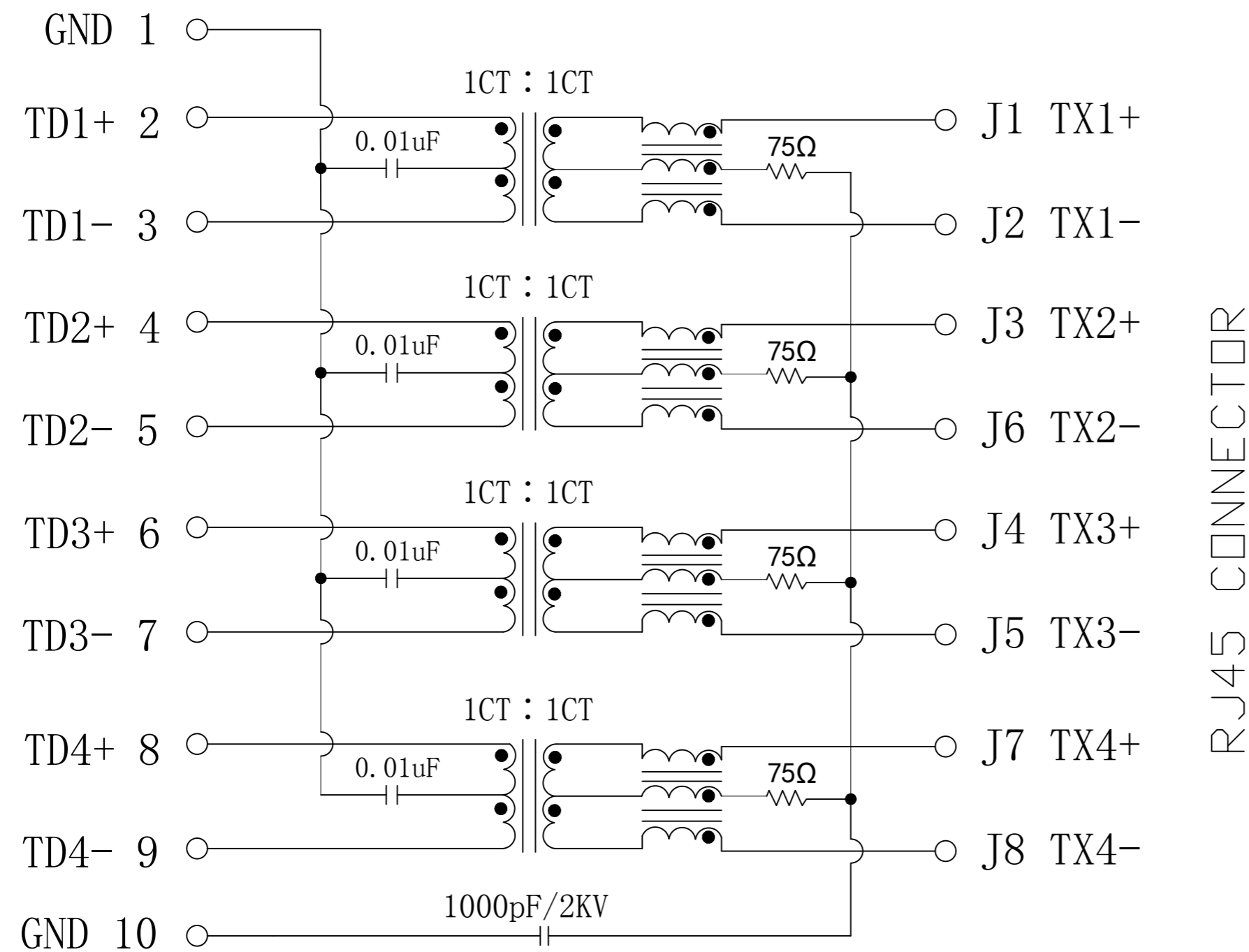


Schematic:

REV.	ECN NO.	DESCRIPTION	DATE	APPD
A	REL		2016/03/01	

PCB CONNECTIONS



ELECTRICAL SPECIFICATIONS @25°C

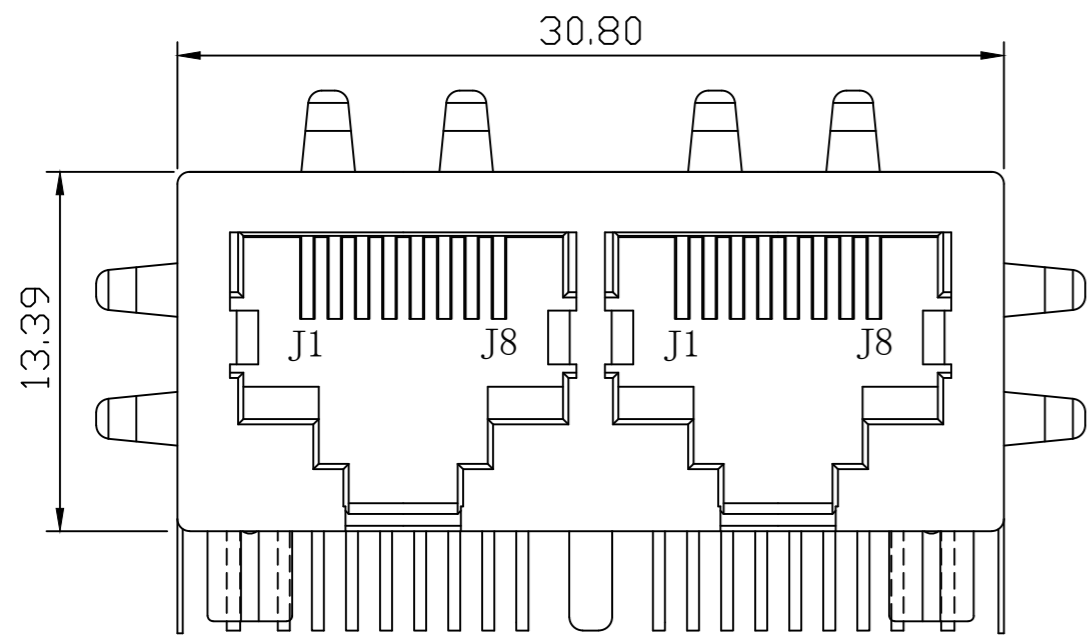
- Turn Ratio($\pm 2\%$):
1CT:1CT
- Inductance OCL: 350uH MIN
@100KHz, 0.1V, 8mA DC Bias
- Insertion Loss:
-1.0dB MAX @ 1.0-65MHz
- Return Loss:
-18dB MIN @ 1-40MHz
-14dB MIN @ 60MHz
-12dB MIN @ 80MHz
-10dB MIN @ 100MHz
- Cross talk:
-40dB MIN @ 1-30MHz
-35dB MIN @ 30-60MHz
-30dB MIN @ 60-100MHz
- Common Mode Rejection:
-30dB MIN @ 1-50MHz
-20dB MIN @ 50-100MHz
- Isolation PHY SIDE To Line SIDE : 1500Vrms
- Operating Temperature Range: 0°C TO 70°C.



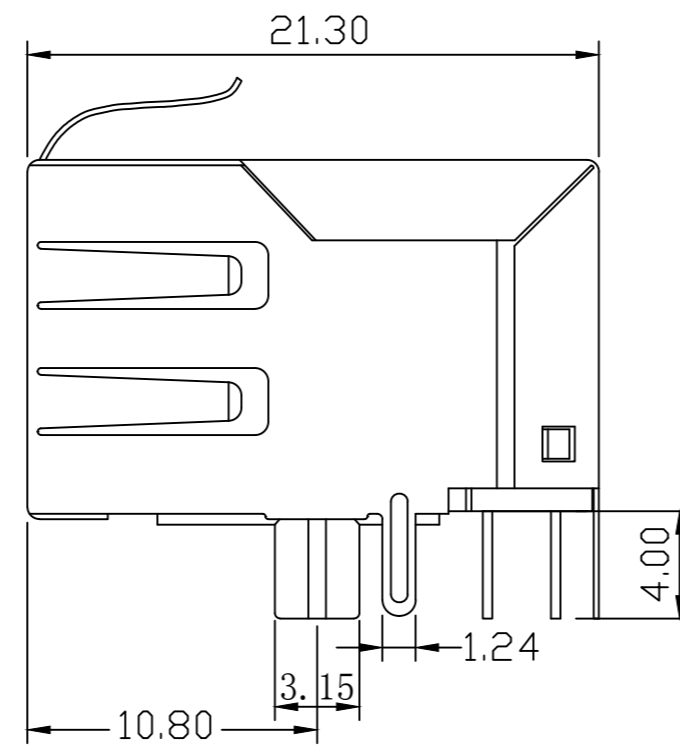
X:X	± 0.30	APPD: TOM	LINK-PP INT'L TECHNOLOGY CO., LIMITED	
X:XX	± 0.25	CHKD: JAMES	TITLE: 1x2 RJ45 Connector with 1000 Base-TX Integrated Magnetic	
X:XXX	± 0.05	DR: LEO	PART NO.: LPJG26818-8CNL	
ANGLES	$\pm 1^\circ$	UNIT: mm	DWG NO.: LP16030112	
	SCALE: 2/1	SHEET: 1/2	REV: A	

Mechanical:

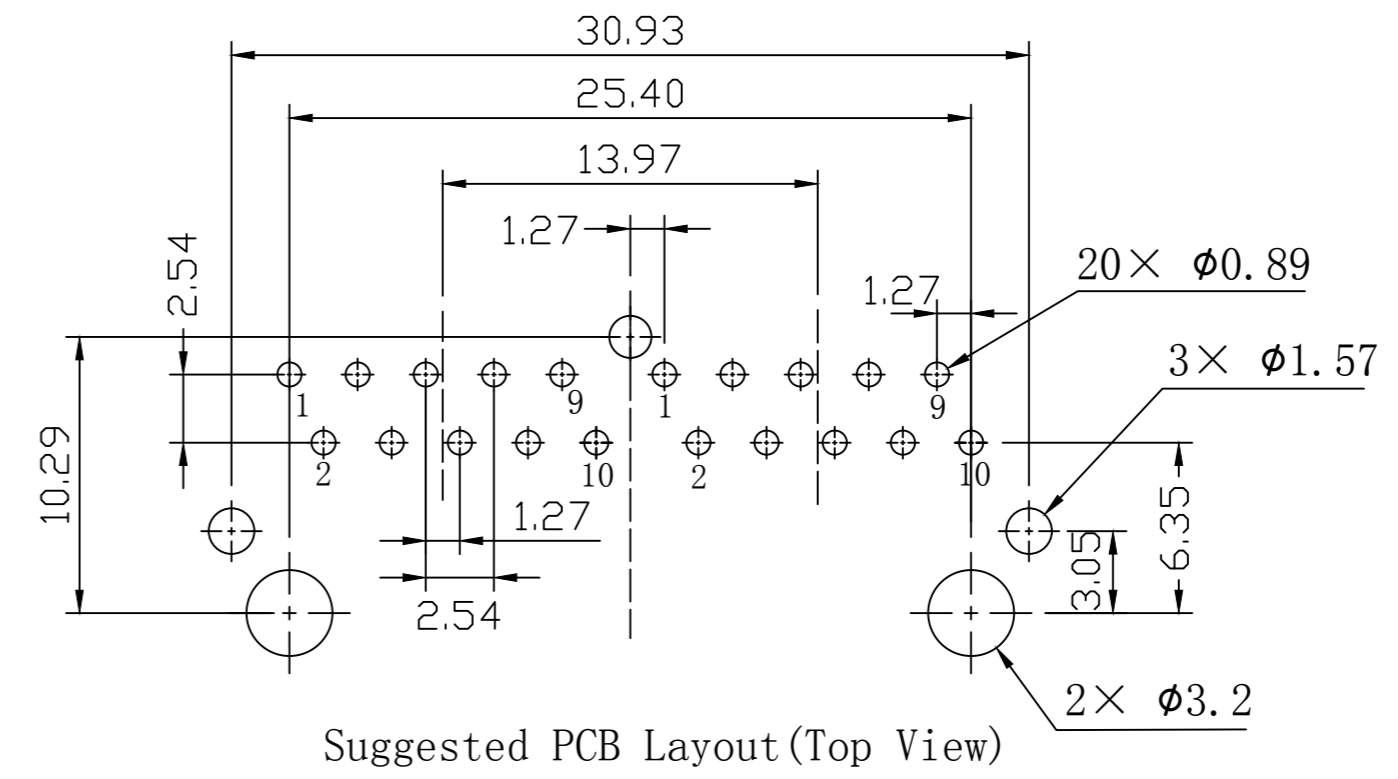
REV.	ECN NO.	DESCRIPTION	DATE	APPD
A	REL		2016/03/01	



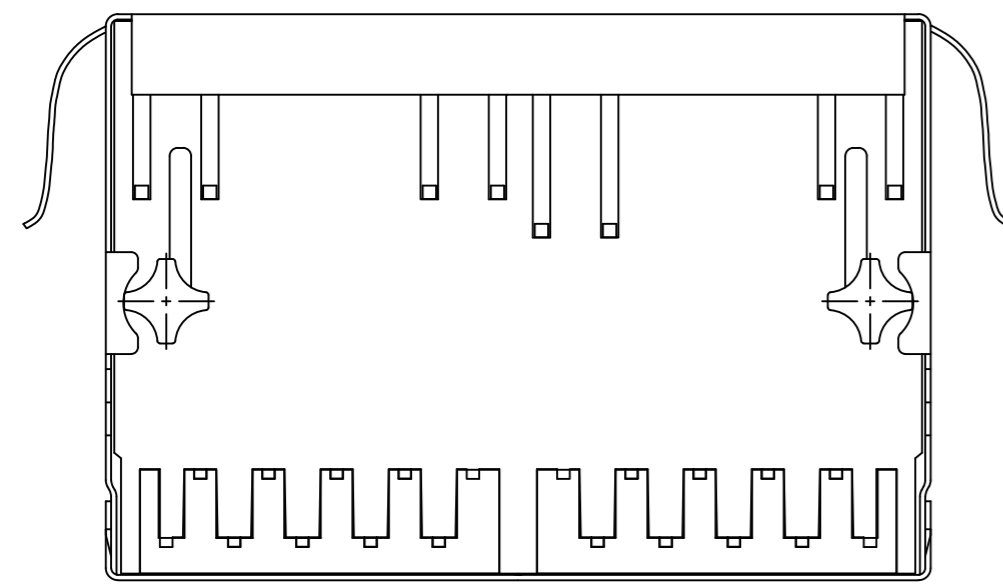
Front Side View



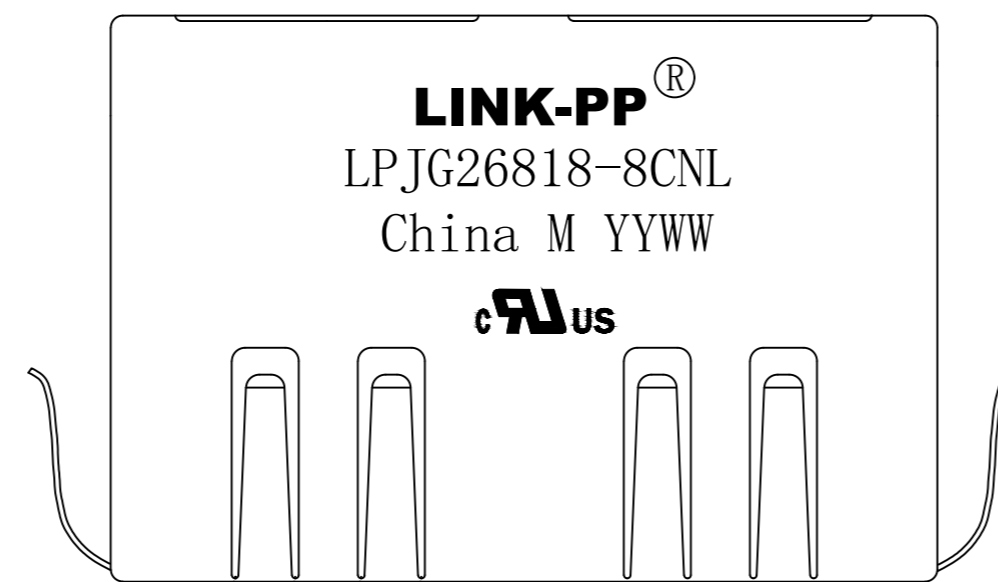
Left Side View



Suggested PCB Layout (Top View)



Bottom View



Top Side View

NOTES:

1. Designed to support application, such as SOHO (ADSL modems), LAN-on-Motherboard (LOM), hub and Switches.
2. Meets IEEE802.3 specification.
3. Connector Materials:
 Housing: Thermoplastic PBT+30%G.F UL94V-0
 Contact: Phosphor Bronze C5210R-EH Thickness=0.35mm
 Pins: Brass C2680R-H Thickness=0.35mm
 Shield: SUS 304-1/2H Thickness=0.2mm
 Contact plating: Gold 30 micro-inches min. In contact area.
4. Wave solder tip temperature: 250°C, 5 Sec.
5. UL Certification: File Number E484635.



X:X ±0.30	APPD: TOM	LINK-PP INT'L TECHNOLOGY CO., LIMITED
X:XX ±0.25	CHKD: JAMES	
X:XXX ±0.05	DR: LEO	TITLE: 1×2 RJ45 Connector with 1000 Base-TX Integrated Magnetic
ANGLES ±1°	UNIT: mm	PART NO.: LPJG26818-8CNL
	SCALE: 2/1	SHEET: 2/2
	REV: A	DWG NO.: LP16030112