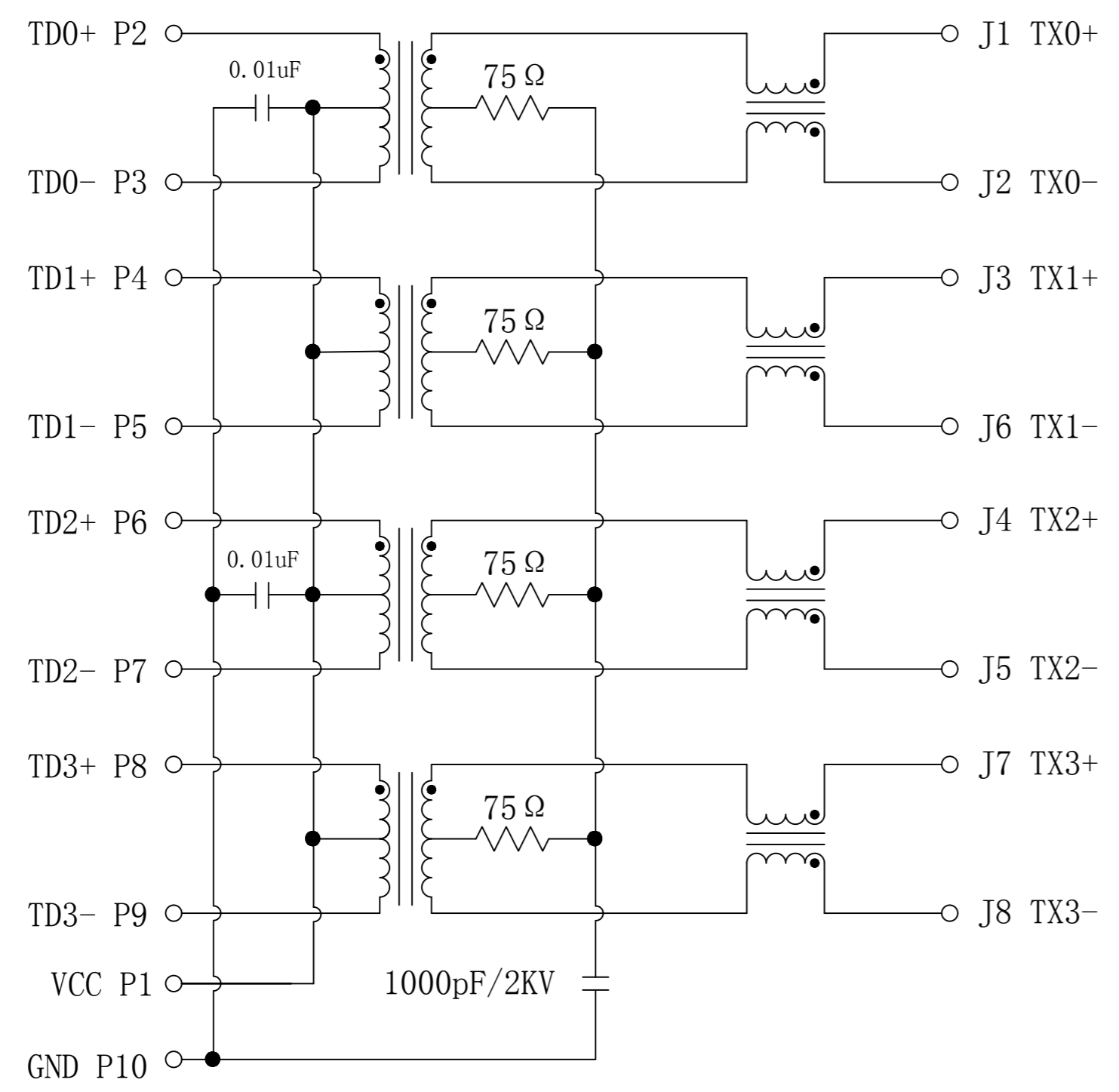


Schematic:

REV.	ECN NO.	DESCRIPTION	DATE	APPD
A	REL		2013/05/08	

PCB CONNECTIONS



RJ45 CONNECTOR

ELECTRICAL SPECIFICATIONS @25°C

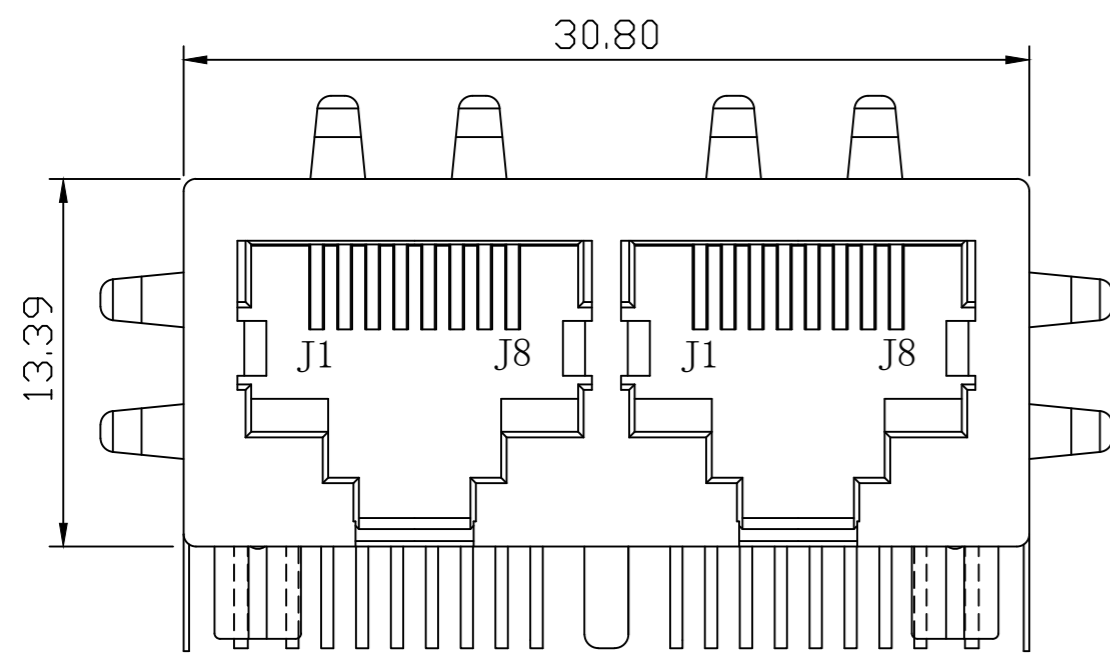
1. Turn Ratio($\pm 2\%$):
Pri:Sec = 1CT:1CT
2. Inductance OCL:
350uH MIN @100KHz/0.1V, 8mA DC Bias
3. DCR: 1.2 Ω MAX
4. Insertion Loss:
-1.0dB MAX @1~100MHz
5. Return Loss:
-18dB MIN @1~40MHz
-14dB MIN @60MHz
-12dB MIN @80MHz
-10dB MIN @100MHz
6. Cross talk:
-40dB MIN @1~30MHz
-35dB MIN @30~60MHz
-30dB MIN @60~100MHz
7. Common Mode Rejection:
-30dB MIN @1~50MHz
-20dB MIN @50~100MHz
8. Isolation PHY SIDE To Line SIDE : 1500Vrms
9. Operating Temperature: -40°C ~ +85°C.



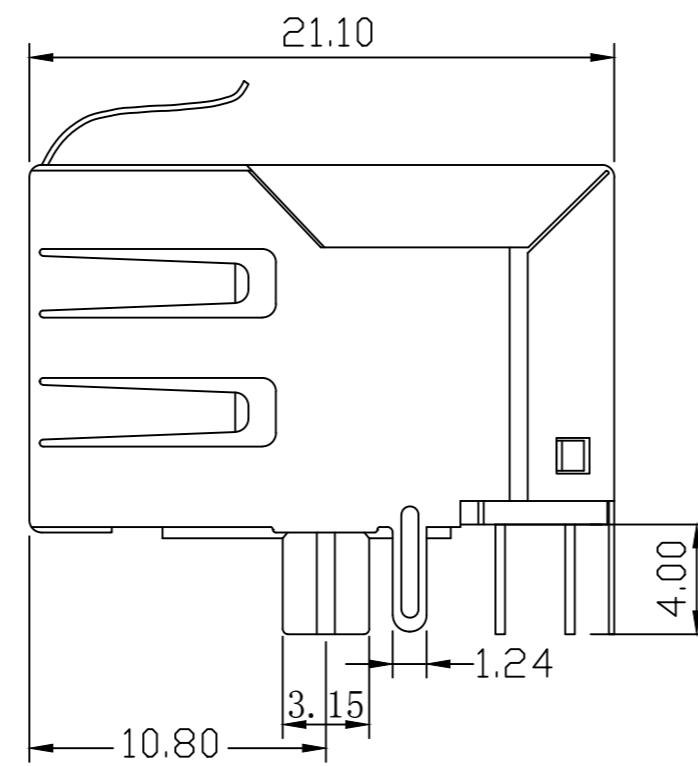
X:X	± 0.30	APPD:	TOM	LINK-PP INT'L TECHNOLOGY CO., LIMITED
X:XX	± 0.25	CHKD:	JAMES	
X:XXX	± 0.05	DR:	LEO	TITLE: 1x2 Ports RJ45 Connector with 1000 Base-TX Integrated Magnetic
ANGLES	$\pm 1^\circ$	UNIT:	mm	PART NO.: LPJG26926-8CNL
	SCALE:	2/1	SHEET:	1/2
			REV:	A
			DWG NO.:	LP13050827

Mechanical:

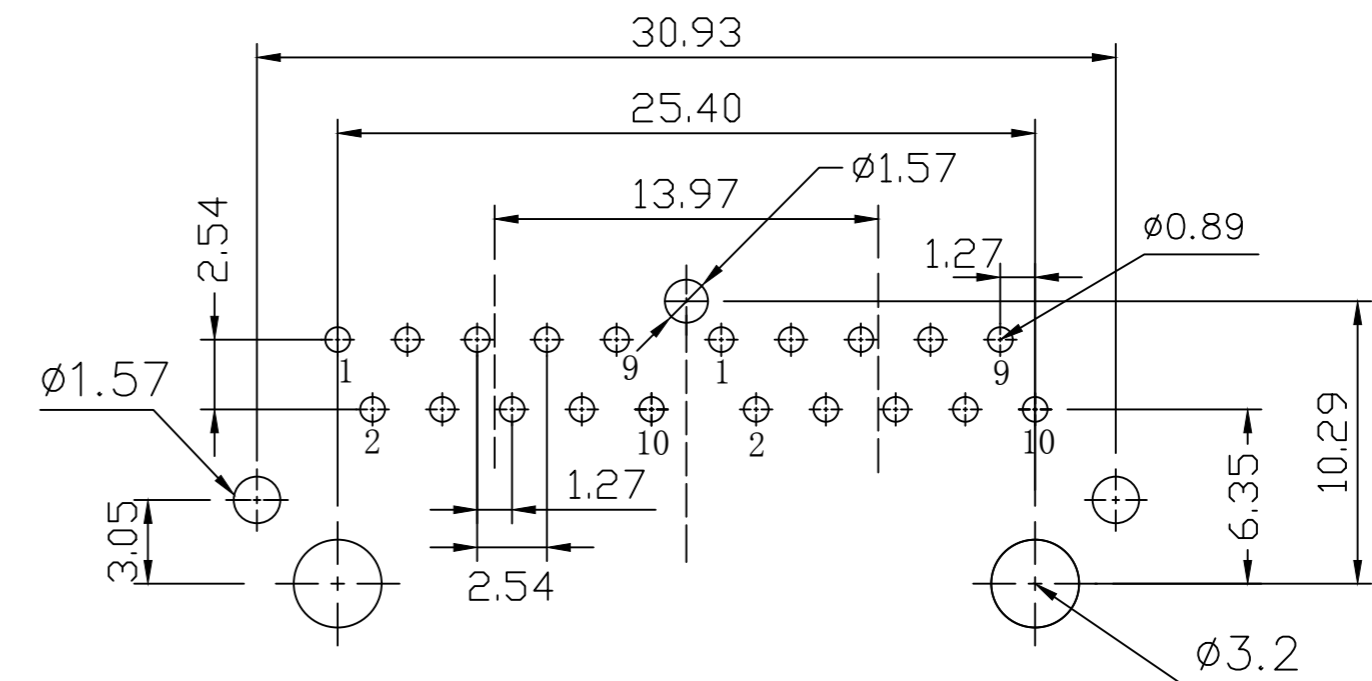
REV.	ECN NO.	DESCRIPTION	DATE	APPD
A	REL		2013/05/08	



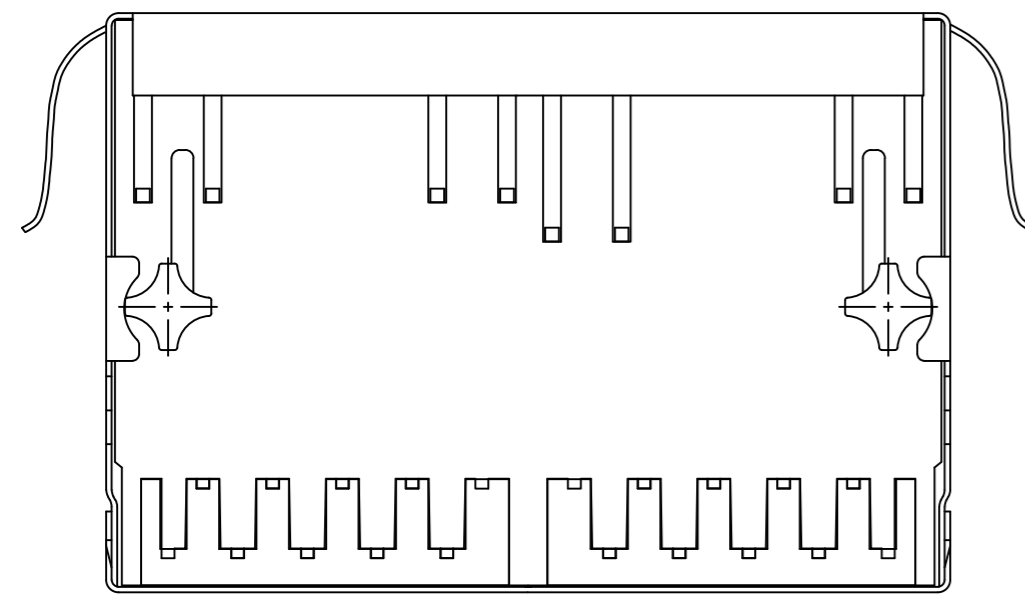
Front Side View



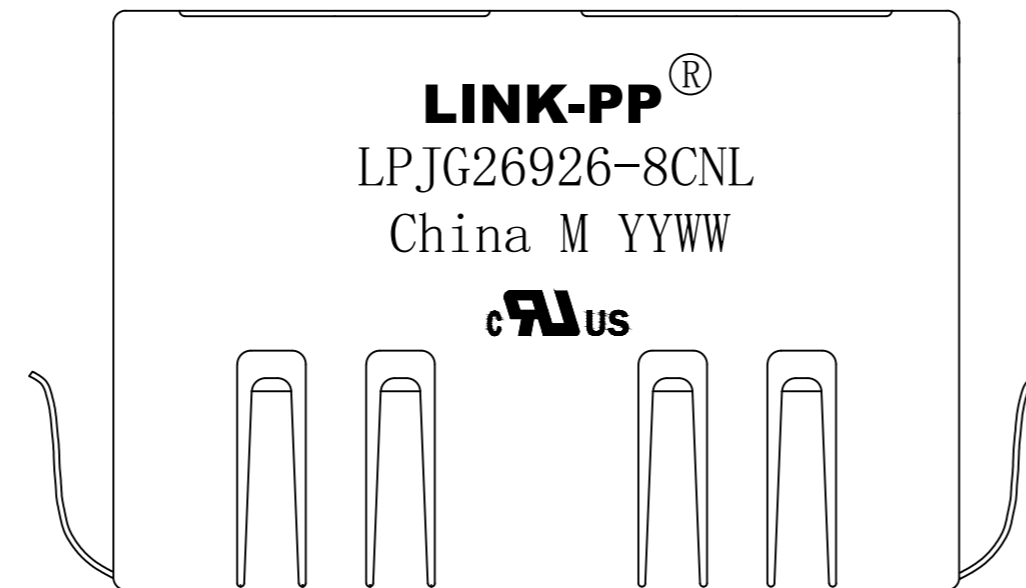
Left Side View



SUGGESTED PCB LAYOUT (TOP VIEW)



Bottom View



Top Side View

NOTES:

1. Designed to support application, such as SOHO (ADSL modems), LAN-on-Motherboard (LOM), hub and Switches.
2. Meets IEEE802.3 specification.
3. Connector Materials:
 Housing: Thermoplastic PBT+30%G.F UL94V-0
 Contact: Phosphor Bronze C5210R-EH Thickness=0.35mm
 Pins: Brass C2680R-H Thickness=0.35mm
 Shield: SUS 304-1/2H Thickness=0.2mm
 Contact plating: Gold 30 micro-inches min. In contact area.
4. Wave solder tip temperature: 250°C, 5 Sec.
5. UL Certification: File Number E484635.



X:X ±0.30	APPD: TOM	LINK-PP INT'L TECHNOLOGY CO., LIMITED
X:XX ±0.25	CHKD: JAMES	
X:XXX ±0.05	DR: LEO	TITLE: 1×2 Ports RJ45 Connector with 1000 Base-TX Integrated Magnetic
ANGLES ±1°	UNIT: mm	PART NO.: LPJG26926-8CNL
	SCALE: 2/1	SHEET: 2/2
	REV: A	DWG NO.: LP13050827