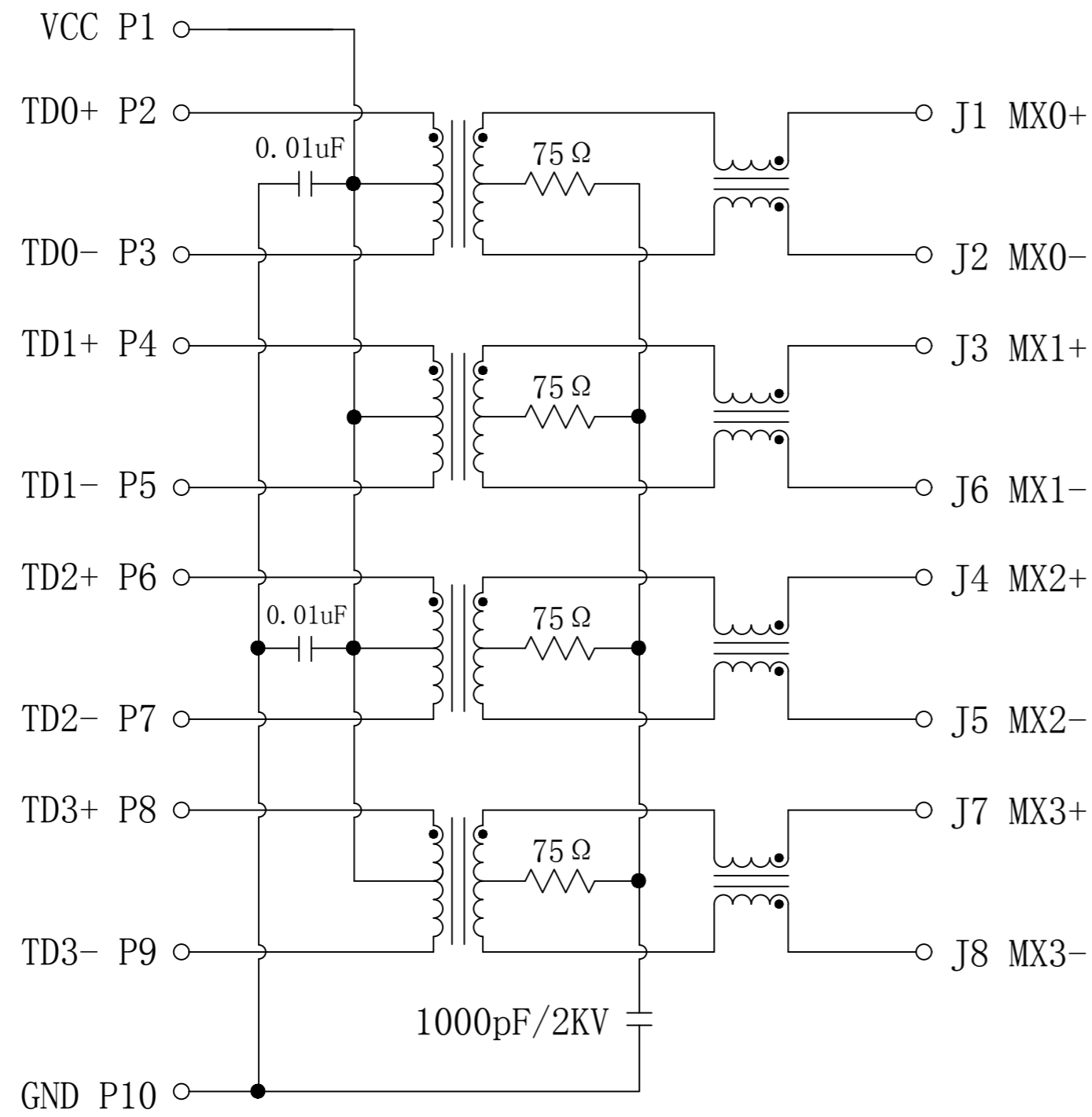


Schematic:

REV.	ECN NO.	DESCRIPTION	DATE	APPD
A	REL		2012/12/20	

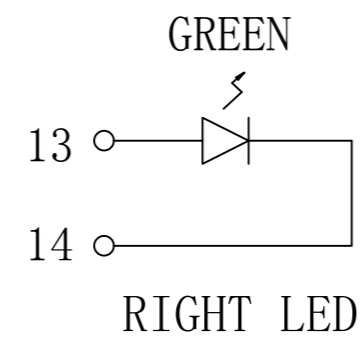
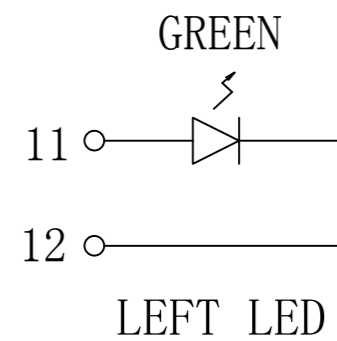
PCB CONNECTIONS



RJ45 CONNECTOR

Electrical Specifications @25°C

- OCL: 350uH MIN
@100KHz, 100mV, 8mA bias current.
- Turns Ratio ($\pm 3\%$):
1CT : 1CT
- Insertion Loss:
1-100MHz: -1.1dB MAX
- Return Loss (dB MIN):
1-40MHz: -18 60MHz: -14
80MHz: -12 100MHz: -10
- Crosstalk:
1-100MHz: -35dB TYP
- CMR (dB TYP):
0.1-30MHz: -50 30-60MHz: -40
60-100MHz: -35
- Isolation PHY SIDE To Line SIDE : 1500Vrms
- Operating Temperature: 0°C TO 70°C.



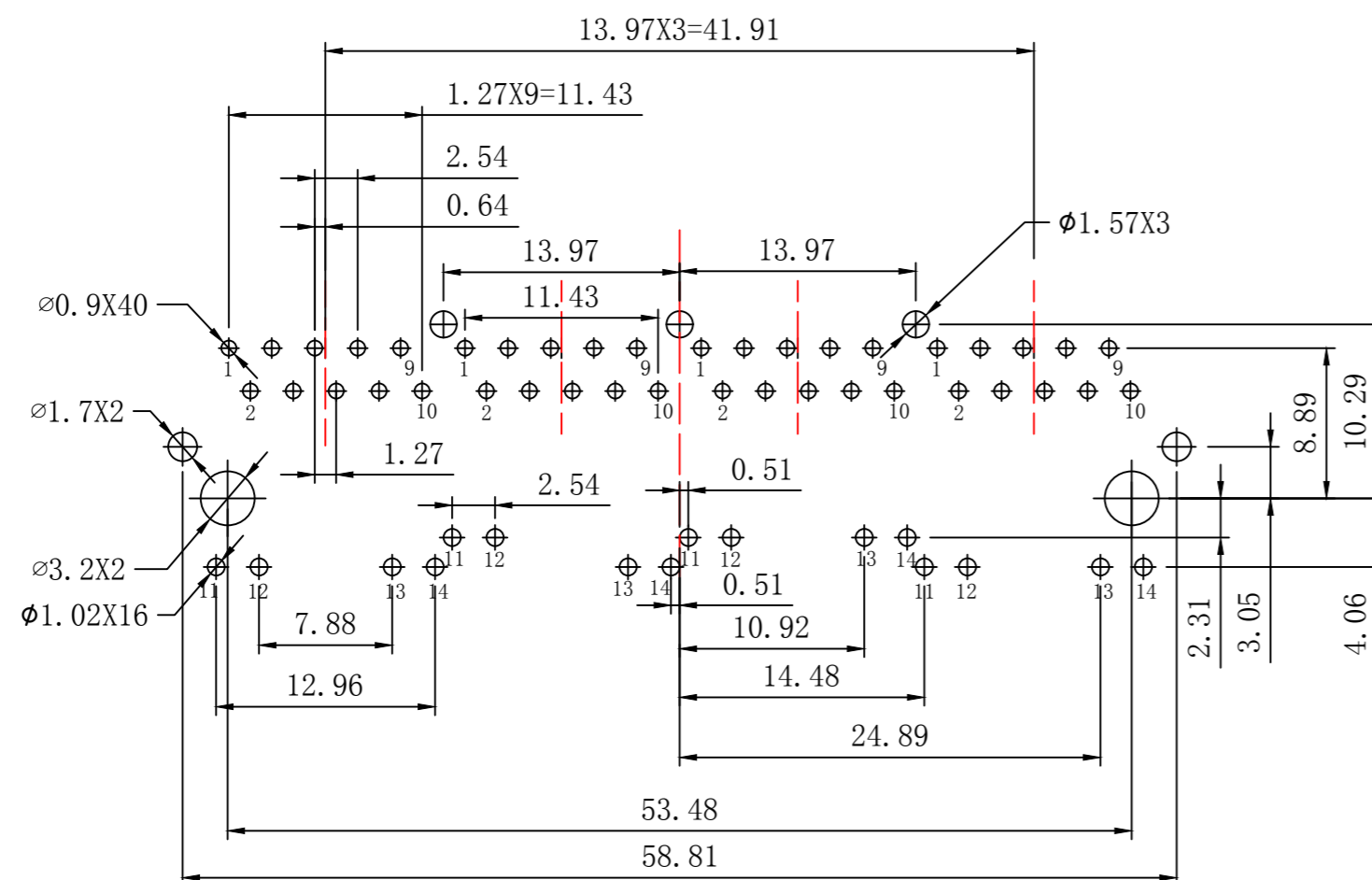
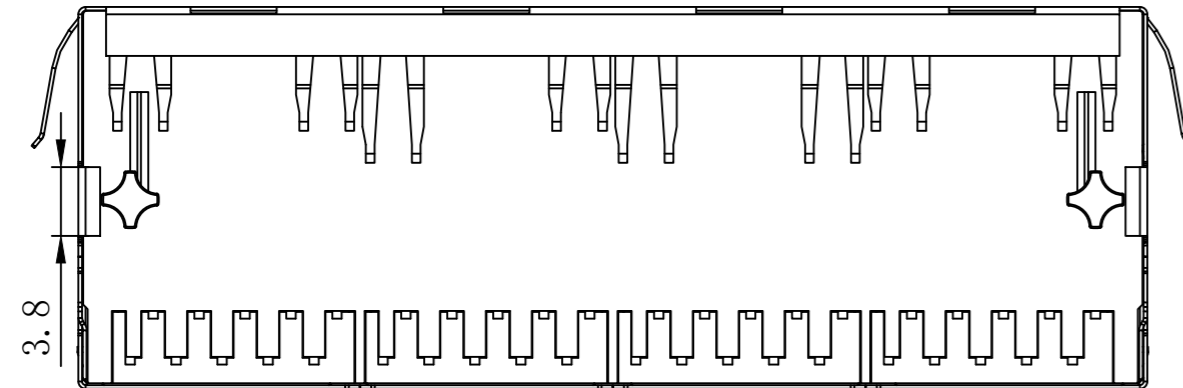
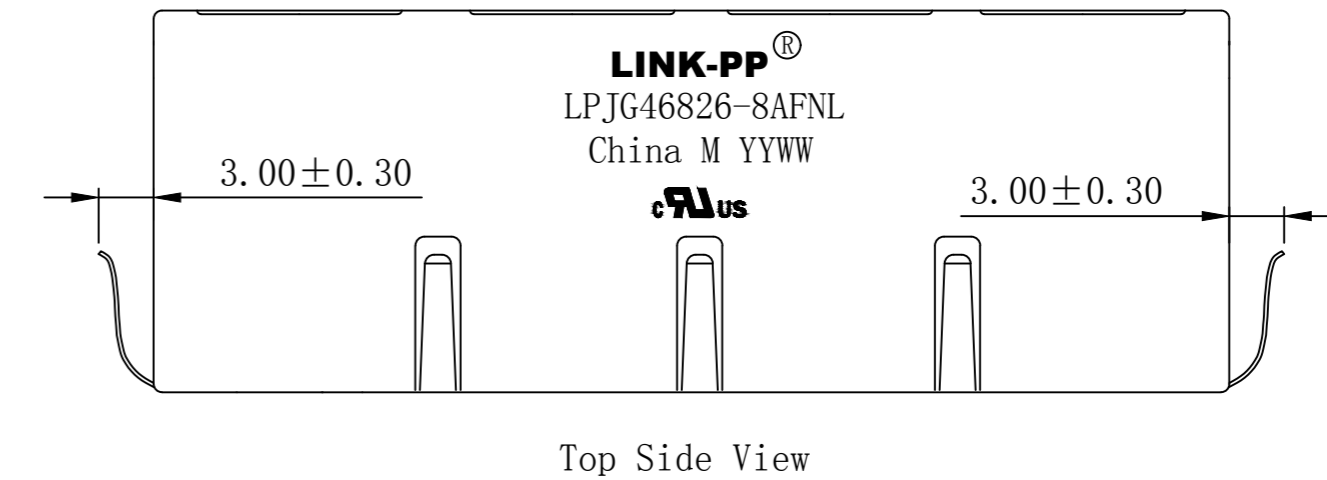
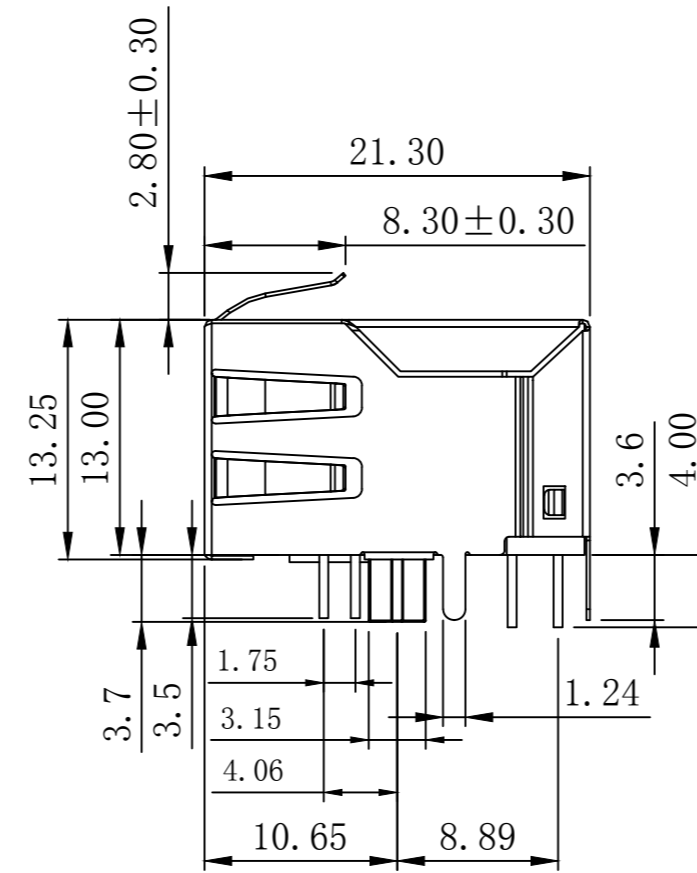
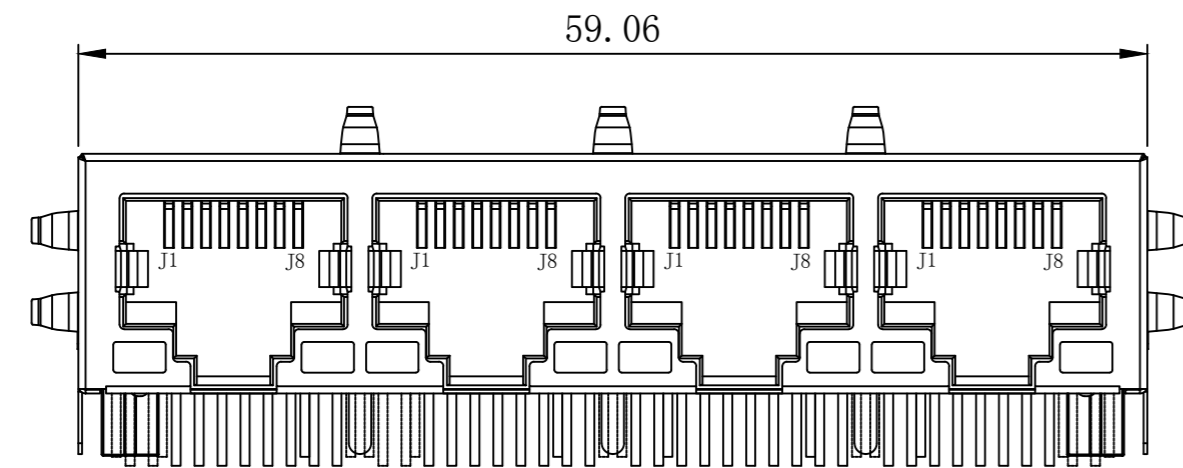
Emitting Color	λ_p (nm)	V _F @I _F =20mA	I _R @V _R =5V
GREEN	565	1.8~2.6V	10 μ A max



X:X	± 0.30	APPD: TOM	LINK-PP INT'L TECHNOLOGY CO., LIMITED
X:XX	± 0.25	CHKD: JAMES	
X:XXX	± 0.05	DR: LEO	
ANGLES	$\pm 1^\circ$	UNIT: mm	TITLE: RJ45 Connector With 1000 Base-TX Integrated Magnetic
		PART NO.:	LPJG46826-8AFNL
	SCALE: 2/1	SHEET: 1/2	REV: A
			DWG: LP12072431

Mechanical :

REV.	ECN NO.	DESCRIPTION	DATE	APPD
A	REL		2012/12/20	



Suggested PCB Layout (Top View)

NOTES:

1. Designed to support application, such as SOHO (ADSL modems), LAN-on-Motherboard (LOM), hub and Switches.
2. Meets IEEE802.3 specification.
3. Connector Materials:
 Housing: Thermoplastic PBT+30%G.F UL94V-0
 Contact: Phosphor Bronze C5210R-EH Thickness=0.35mm
 Pins: Brass C2680R-H Thickness=0.35mm
 Shield: SUS 304-1/2H Thickness=0.2mm
 Contact plating: Gold 30 micro-inches min. In contact area.
4. Wave solder tip temperature: 250°C, 5 Sec.
5. UL Certification: File Number E484635.



X:X	±0.30	APPD:	TOM	LINK-PP INT'L TECHNOLOGY CO., LIMITED
X:XX	±0.25	CHKD:	JAMES	
X:XXX	±0.05	DR:	LEO	TITLE: RJ45 Connector With 1000 Base-TX Integrated Magnetic
ANGLES	±1°	UNIT:	mm	PART NO.: LPJG46826-8AFNL
	SCALE:	2/1	SHEET:	2/2
		REV:	A	DWG: LP12072431