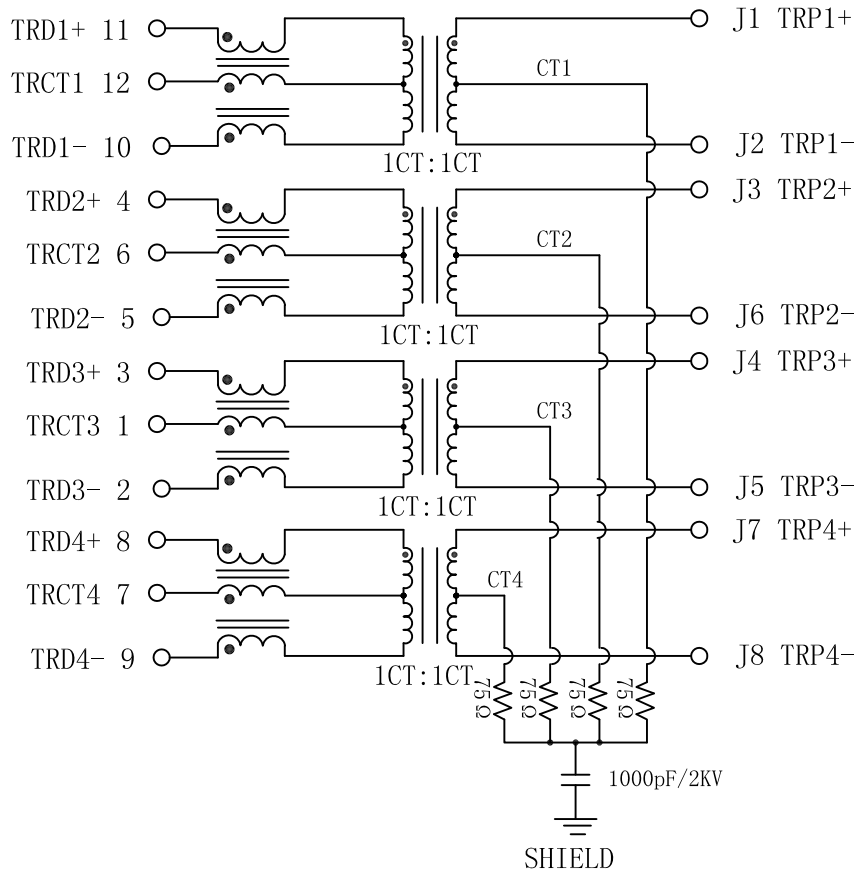


Schematic:

REV.	ECN NO.	DESCRIPTION	DATE	APPD
A	REL		2008-11-06	

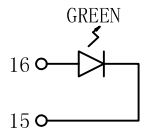
PCB SIDE



CABLE SIDE

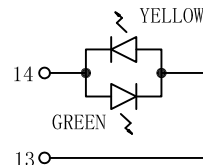
- Electrical Specifications @25°C
- Turns Ratio($\pm 2\%$):
Pri : Sec = 1CT : 1CT
 - OCL(@100KHz, 100mV, 8mA DC Bias):
350uH min
 - Insertion Loss:
1~100MHz:-1.0dB max
 - Return Loss(dB min):
1~10MHz:-20 ; 30MHz:-16
60~80MHz:-12 ; 80~100MHz:-10
 - Crosstalk(dB min):
1~10MHz:-40 ; 32~65MHz:-35
65~100MHz:-30
 - Common Mode Rejection(dB min):
1~125MHz:-30 ; 125~500MHz:-20
 - Hi-Pot: 1500Vrms @60Hz
 - Operating Temperature: 0°C~70°C.

Emitting Color	λ_p (nm)	V _F @I _F =20mA	I _R @V _R =5V
GREEN	565	1.8~2.6V	10 μ A max
YELLOW	585	1.8~2.6V	10 μ A max



LEFT LED

LED POLARITY		COLOR
PIN 16	PIN 15	
+	-	GREEN



RIGHT LED

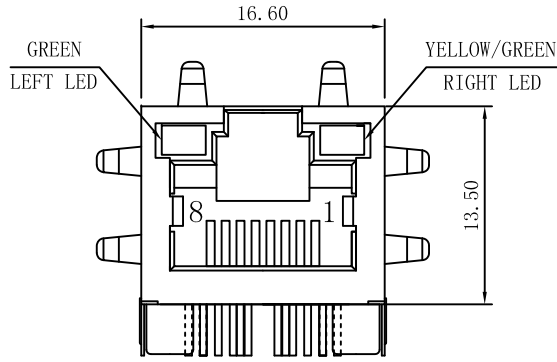
LED POLARITY		COLOR
PIN 14	PIN 13	
+	-	GREEN
-	+	YELLOW



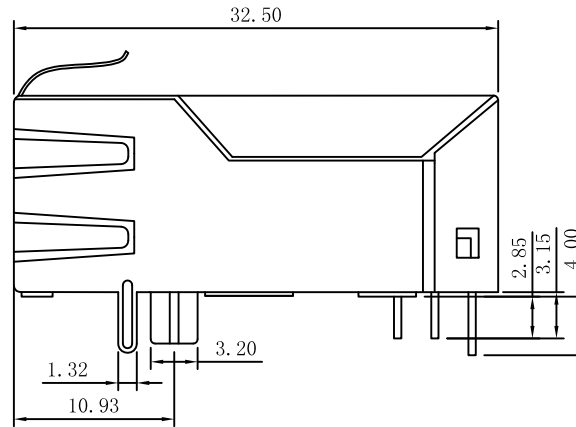
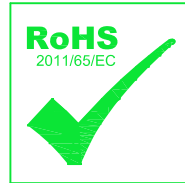
X:X	± 0.30	APPD:	LINK-PP INT'L TECHNOLOGY CO., LIMITED
X:XX	± 0.25	CHKD:	
X:XXX	± 0.05	DR: TOM	
ANGLES	$\pm 1^\circ$	UNIT: mm	TITLE: RJ45 Connector with 1000 Base-T Integrated Magnetics
		PART NO.:	LPJK0036A8NL
	SCALE: 2/1	SHEET: 1/2	REV: A
		DWG NO.:	LP08110640

Mechanical :

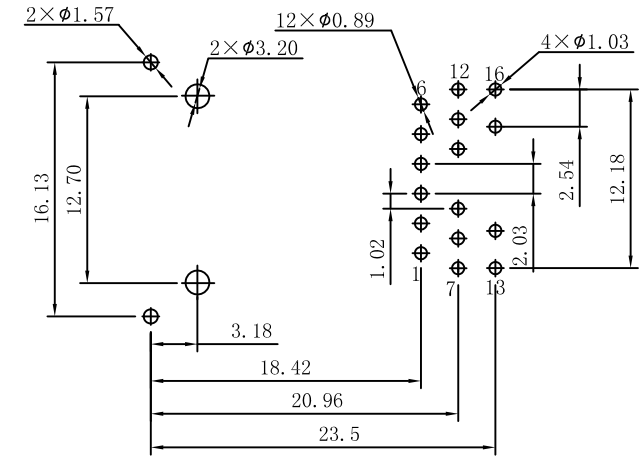
REV.	ECN NO.	DESCRIPTION	DATE	APPD
A	REL		2008-11-06	



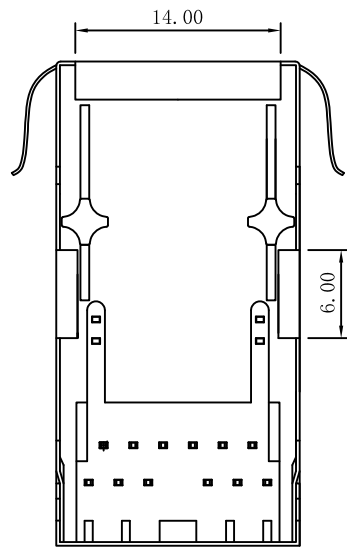
Front Side View



Left Side View



Suggested PCB Layout (Top View)



Bottom Side View



Top Side View

NOTES:

1. Designed to support application, such as SOHO (ADSL modems), LAN-on-Motherboard (LOM), hub and Switches.
2. Meets IEEE 802.3 specification
3. Connector Materials:
Housing: Thermoplastic UL94V-0
Contact/Shield: Copper alloy
Shield plating: Nickel
Contact plating: Gold 6 micro-inches Min. In contact area.
4. Wave peak temperature: 260°C Max, 5Sec.
5. UL Certification: File Number E484635.

X:X ±0.30	APPD:	LINK-PP INT'L TECHNOLOGY CO., LIMITED
X:XX ±0.25	CHKD:	
X:XXX ±0.05	DR: TOM	TITLE: RJ45 Connector with 1000 Base-T Integrated Magnetics
ANGLES ±1°	UNIT: mm	PART NO.: LPJK0036A8NL
	SCALE: 2/1	SHEET: 2/2
	REV: A	DWG NO.: LP08110640