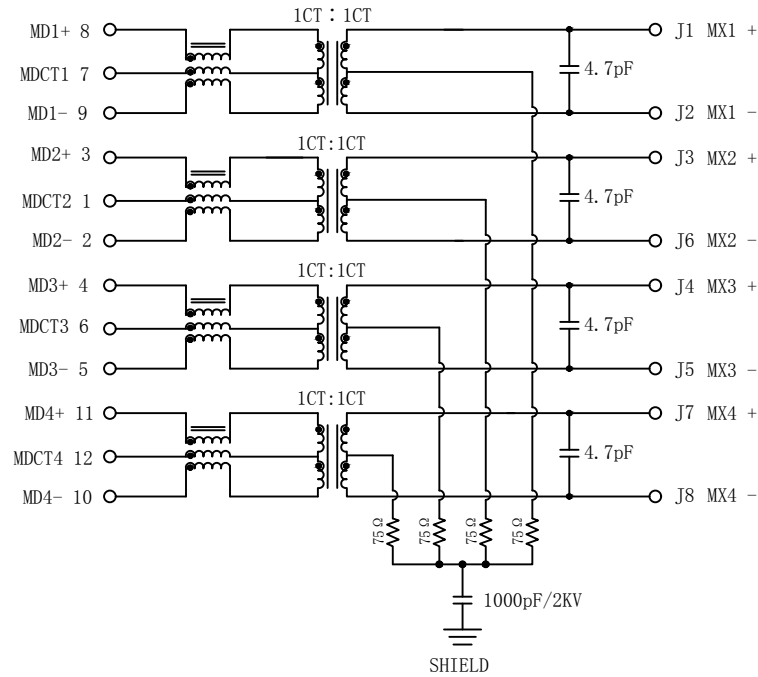


Schematic:

REV.	ECN NO.	DESCRIPTION	DATE	APPD
A	REL		2023-03-18	

PCB CONNECTIONS

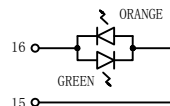


RJ45 CONNECTOR

Electrical Specification @25°C

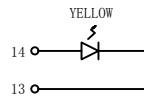
- Turns Ratio ($\pm 2\%$) : 1CT : 1CT
- OCL: 350uH Min @100KHz/100mVrms
8mA DC Bias (0°C-70°C)
- Insertion Loss(dB Max) :
0.1~1MHz:-1.1 1~65MHz:-0.5
65~100MHz:-10.8 100~125MHz:-1.2
- Return Loss(dB Min @100Ω±15%) :
0.5~40MHz:-18
40~100MHz:-12+20LOG(f/80MHz)
- CM to CM Rej(dB Min) :
0.1~100MHz:-30dB Min
- CM to DM Rej:
1~125MHz:-35dB Min
- Hipot: 1500Vrms
- Operating Temperature: 0°C~+70°C.

Emitting Color	λ_p (nm)	V _F @I _F =20mA	I _R @V _R =5V
YELLOW	585	1.8~2.6V	10 μA max
ORANGE / GREEN	610 / 565	1.8~2.6V	10 μA max



LEFT LED

LED POLARITY		COLOR
PIN 15	PIN 16	
+	-	ORANGE
-	+	GREEN



RIGHT LED

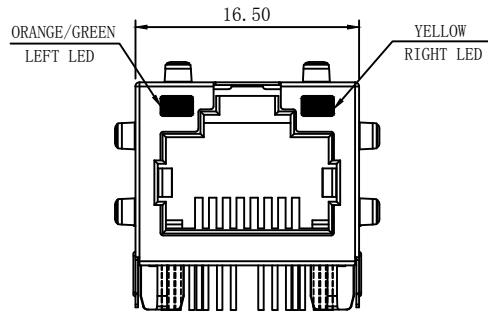
LED POLARITY		COLOR
PIN 13	PIN 14	
-	+	YELLOW



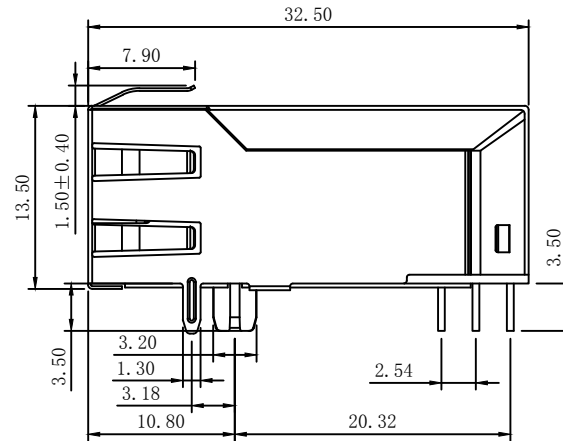
X:X ±0.30	APPD: TOM	LINK-PP INT'L TECHNOLOGY CO., LIMITED
X:XX ±0.25	CHKD: JAMES	
X:XXX ±0.05	DR: LEO	TITLE: RJ45 Connector with 1000 Base-T Integrated Magnetics
ANGLES ±1°	UNIT: mm	PART NO.: LPJK40237A0NL
	SCALE: 2/1	SHEET: 1/2
	REV: A	DWG NO.: LP23031836

Mechanical :

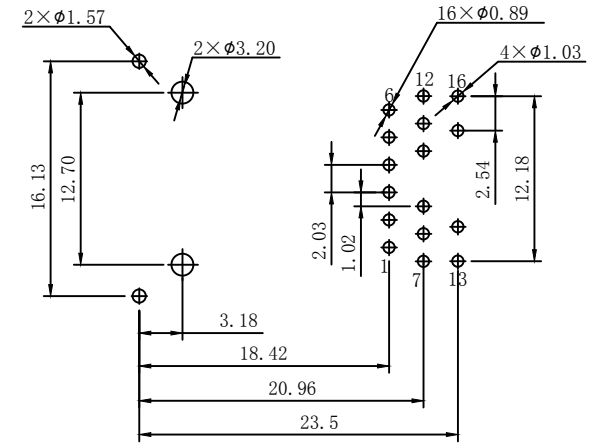
REV.	ECN NO.	DESCRIPTION	DATE	APPD
A	REL		2023-03-18	



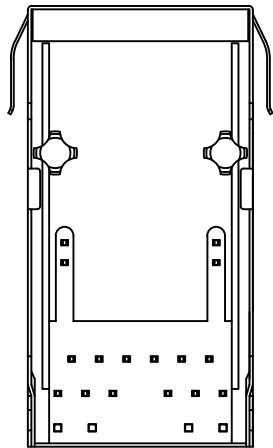
Front Side View



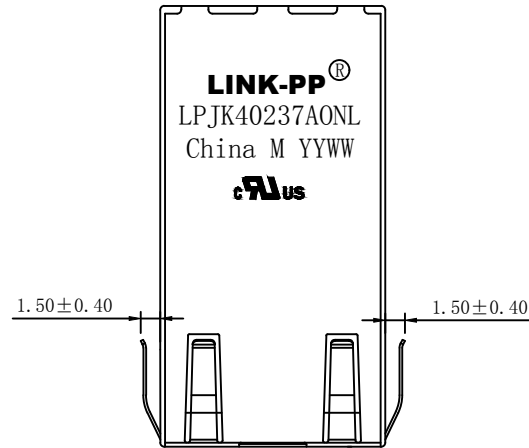
Left Side View



Suggested PCB Layout (Top View)



Bottom Side View



Top Side View



NOTES:

1. Designed to support application, such as SOHO (ADSL modems), LAN-on-Motherboard (LOM), hub and Switches.
2. Meets IEEE 802.3af specification
3. Connector Materials:
 Housing Material: Thermoplastic PBT+30%G.F UL94V-0
 Contact Material: Phosphor Bronze C5210R-EH Thickness=0.35mm
 Pins: Brass C2680R-H Thickness=0.35mm
 Shield: SUS 304 1/2EH Thickness=0.2mm
 Contact plating: Gold 6 micro-inches min. In contact area.
4. Wave solder tip temperature: 250°C, 5 Sec.
5. UL Certification: File Number E484635.

X:X ±0.30	APPD: TOM	LINK-PP INT'L TECHNOLOGY CO., LIMITED
X:XX ±0.25	CHKD: JAMES	
X:XXX ±0.05	DR: LEO	TITLE: RJ45 Connector with 1000 Base-T Integrated Magnetics
ANGLES ±1°	UNIT: mm	PART NO.: LPJK40237A0NL
	SCALE: 2/1	SHEET: 2/2
	REV: A	DWG NO.: LP23031836