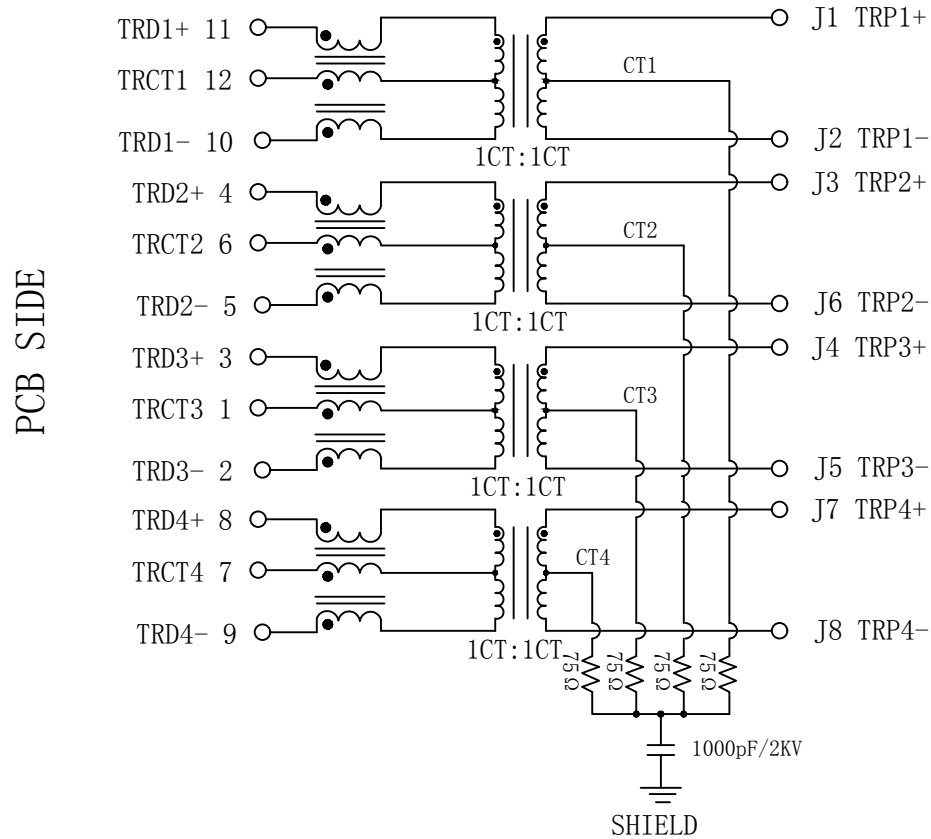
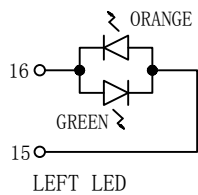


Schematic:

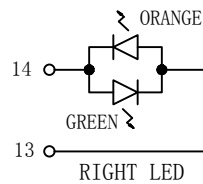
REV.	ECN NO.	DESCRIPTION	DATE	APPD
A	REL		2023-03-18	



- Electrical Specifications @25°C
- OCL(@100KHz, 100mV, 8mA DC BIAS):
350uH min
 - Turns Ratio(±2%):
1CT : 1CT
 - Insertion Loss:
1~100MHz:-1.0dB max
 - Return Loss(dB min):
1~10MHz:-20 ; 30MHz:-16
60~80MHz:-12 ; 80~100MHz:-10
 - Crosstalk(dB min):
1~10MHz:-40 ; 32~65MHz:-35
65~100MHz:-30
 - Common Mode Rejection(dB min):
1~100MHz:-30
 - Hi-Pot: 1500Vrms
 - Operating Temperature: -40°C ~ +85°C.



LED POLARITY		COLOR
PIN 16	PIN 15	
+	-	GREEN
-	+	ORANGE



LED POLARITY		COLOR
PIN 14	PIN 13	
+	-	GREEN
-	+	ORANGE

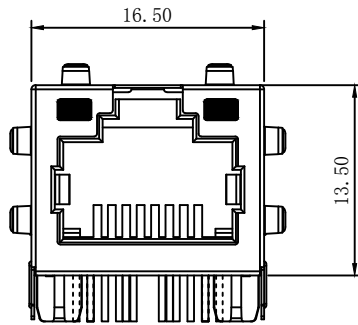


Emitting Color	λp(nm)	Vf@If=20mA	IR @VR=5V
ORANGE	610	1.8~2.6V	10 μA max
GREEN	565	1.8~2.6V	10 μA max

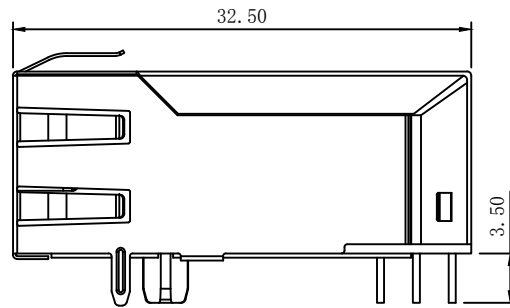
X:X ±0.30	APPD: TOM	LINK-PP INT'L TECHNOLOGY CO., LIMITED
X:XX ±0.25	CHKD: JAMES	
X:XXX ±0.05	DR: LEO	TITLE: RJ45 Connector with 1000 Base-T Integrated Magnetics
ANGLES ±1°	UNIT: mm	PART NO.: LPJK4036A55NL
	SCALE: 2/1	SHEET: 1/2
	REV: A	DWG NO.: LP23031825

Mechanical :

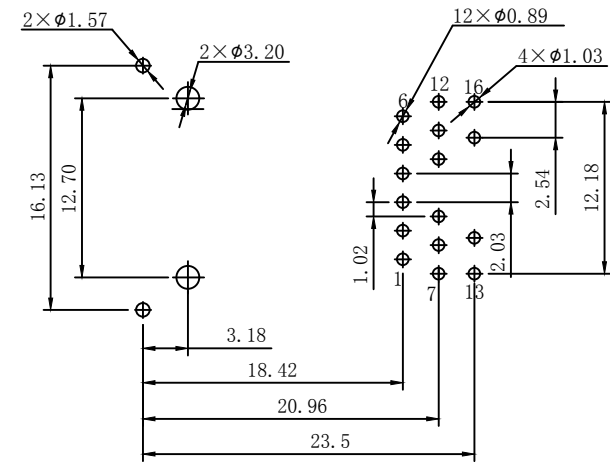
REV.	ECN NO.	DESCRIPTION	DATE	APPD
A	REL		2023-03-18	



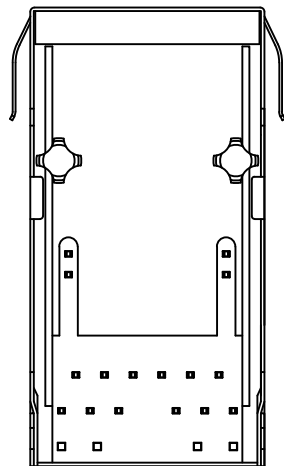
Front Side View



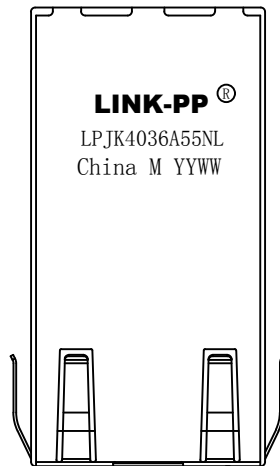
Left Side View



Suggested PCB Layout (Top View)



Bottom Side View



Top Side View

NOTES:

1. Designed to support application, such as SOHO (ADSL modems), LAN-on-Motherboard (LOM), hub and Switches.
2. Meets IEEE 802.3af specification
3. Connector Materials:
 Housing Material: Thermoplastic PBT+30%G.F UL94V-0
 Contact Material: Phosphor Bronze C5210R-EH Thickness=0.35mm
 Pins: Brass C2680R-H Thickness=0.35mm
 Shield: SUS 304 1/2EH Thickness=0.2mm
 Contact plating: Gold 6 micro-inches min. In contact area.
4. Wave solder tip temperature: 260°C, 5 Sec.
5. UL Certification: File Number E484635.



X:X ±0.30	APPD: TOM	LINK-PP INT'L TECHNOLOGY CO., LIMITED
X:XX ±0.25	CHKD: JAMES	
X:XXX ±0.05	DR: LEO	TITLE: RJ45 Connector with 1000 Base-T Integrated Magnetics
ANGLES ±1°	UNIT: mm	PART NO.: LPJK4036A55NL
	SCALE: 2/1	SHEET: 2/2
	REV: A	DWG NO.: LP23031825