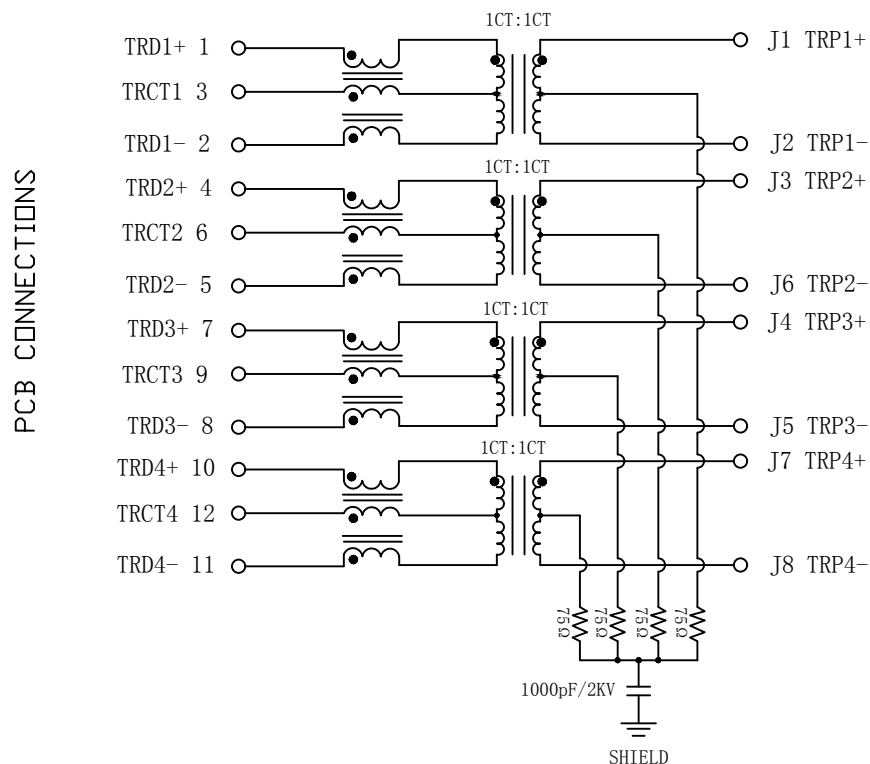


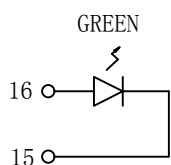
Schematic:

REV.	ECN NO.	DESCRIPTION	DATE	APPD
A	REL		2022/12/22	



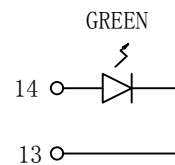
Electrical Specification @25°C

- Turns Ratio ($\pm 2\%$) : 1CT : 1CT
- OCL: 350uH Min @100KHz/100mVrms
8mA DC Bias (0°C-70°C)
- Insertion Loss(dB Max):
0.1~1MHz:-1.1 1~65MHz:-0.5
65~100MHz:-0.8 100~125MHz:-1.2
- Return Loss(dB Min @100 OHMS $\pm 15\%$):
0.5~40MHz:-18
50~100MHz:-12+20LOG(f/80MHz)
- Crosstalk(dB Min):
1~60MHz:-30 60~100MHz:-25
- CM TO CM REJ(dB Min):
0.1~100MHz:-30
- CM TO DM REJ(dB Min):
0.1~100MHz:-35
- Hipot: 1500Vrms
- Operating Temperature: -40°C ~ +85°C.



LEFT LED

LED POLARITY		COLOR
PIN 15	PIN 16	
-	+	GREEN



RIGHT LED

LED POLARITY		COLOR
PIN 13	PIN 14	
-	+	GREEN

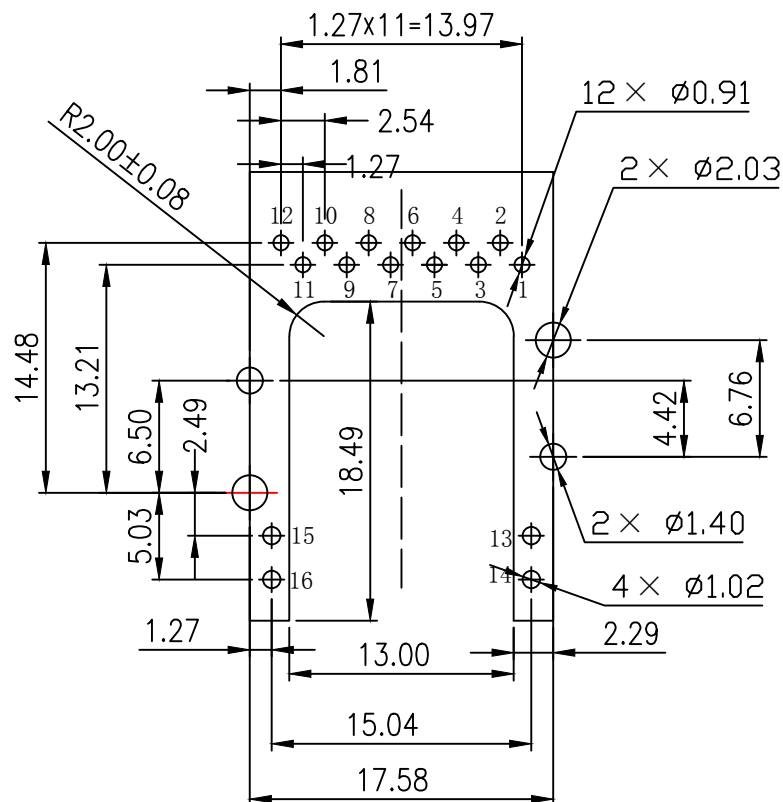
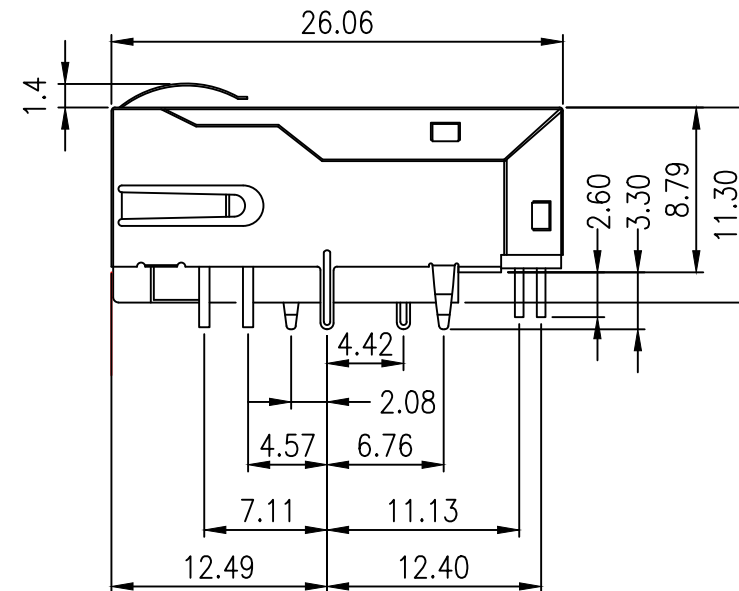
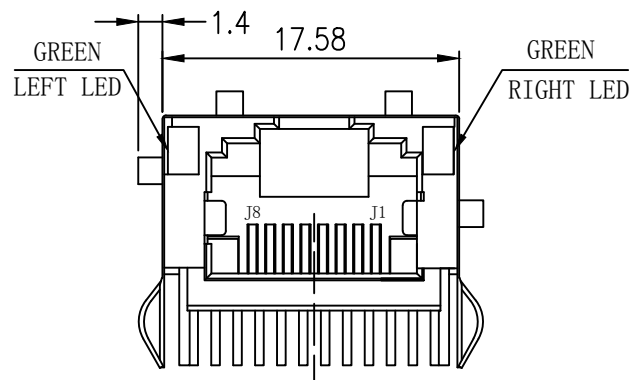


Emitting Color	λ_p (nm)	V _F @I _F =20mA	I _R @V _R =5V
GREEN	565	1.8~2.6V	10 μ A max

X:X	± 0.30	APPD:	LINK-PP INT'L TECHNOLOGY CO., LIMITED
X:XX	± 0.25	CHKD:	
X:XXX	± 0.05	DR: LEO	TITLE: RJ45 Connector With 1000 Base-TX Integrated Magnetic
ANGLES	$\pm 1^\circ$	UNIT: mm	PART NO.: LPJK5001AWNL
	SCALE: 2/1	SHEET: 1/2	REV: A DWG: LP22122201

Mechanical:

REV.	ECN NO.	DESCRIPTION	DATE	APPD
A	REL		2022/12/22	



SUGGESTED PCB LAYOUT (TOP VIEW)



NOTES:

1. Designed to support application, such as SOHO (ADSL modems), LAN-on-Motherboard (LOM), hub and Switches.
2. Meets IEEE 802.3 specification
3. Connector Materials:
 Housing: Thermoplastic UL94V-0
 Contact/Shield: Copper alloy
 Shield plating: Nickel
 Contact plating: Gold 30 micro-inches min. In contact area.
4. Wave peak temperature: 260°C, 5Sec.
5. UL Certification: File Number E484635.

X:X	±0.30	APPD:	LINK-PP INT'L TECHNOLOGY CO., LIMITED
X:XX	±0.25	CHKD:	
X:XXX	±0.05	DR: LEO	TITLE: RJ45 Connector With 1000 Base-TX Integrated Magnetic
ANGLES	±1°	UNIT: mm	PART NO.: LPJK5001AWNL
	SCALE: 2/1	SHEET: 2/2	REV: A DWG: LP22122201