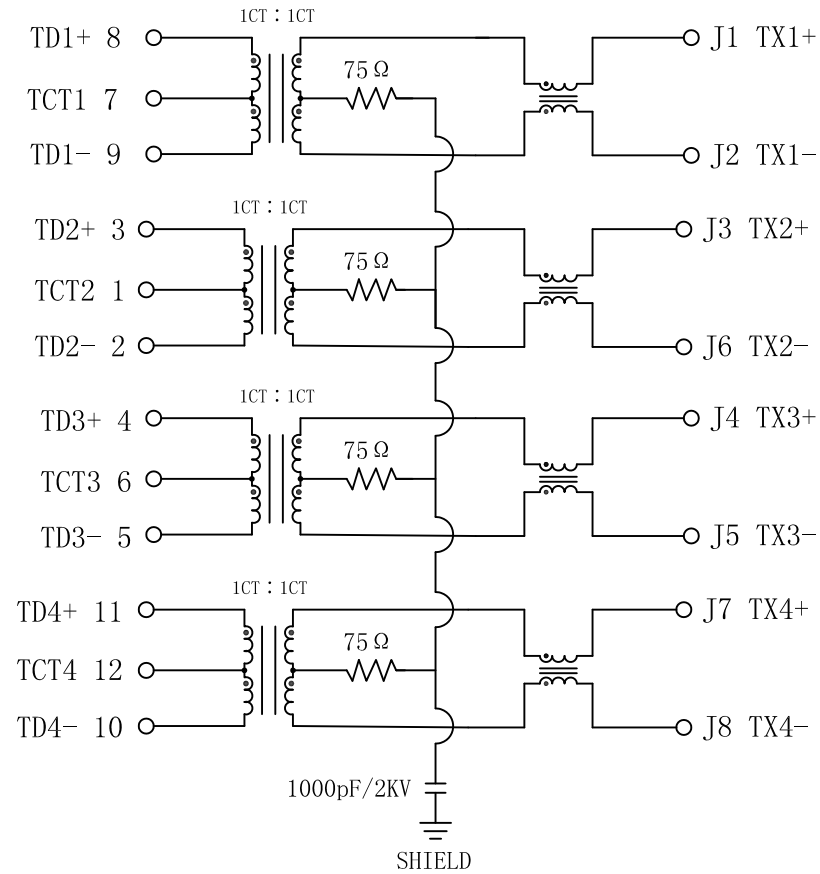


Schematic:

REV.	ECN NO.	DESCRIPTION	DATE	APPD
A	REL		2022-01-21	

PC BOARD CONNECTIONS



RJ45 CONNECTOR

ELECTRICAL SPECIFICATIONS @25°C

- Turn Ratio : 1CT:1CT +/- 5%
- OCL:120uH Min @100KHz , 0.1V
- Insertion Loss (dB Max):

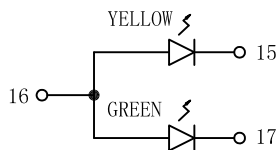
1-100MHz: -1.0	100-400MHz: -2.0
400-500MHz -3	
- Return Loss(dB Min):

1-100MHz: -22	100-200MHz: -16
200-300MHz: -12	300-400MH: -10
400-500MH: -8	
- Cross Talk(dB Min):

1-100MHz: -30	100-500MHz: -20
---------------	-----------------
- Common Mode Rejection(dB Min):

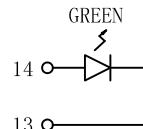
1-100MHz: -30	100-500MHz:-20
---------------	----------------
- Common Mode to Differential Mode Rejection(dB Min):

1-250MHz: -30	250-500MHz:-22.
---------------	-----------------
- Isolation Hi-Pot: 2250VDC Min@ 60S
- Operating Temperature Range: 0°C ~70°C.



LEFT LED

LED POLARITY			COLOR
PIN 15	PIN 16	PIN 17	
-	+	/	YELLOW
/	+	-	GREEN



RIGHT LED

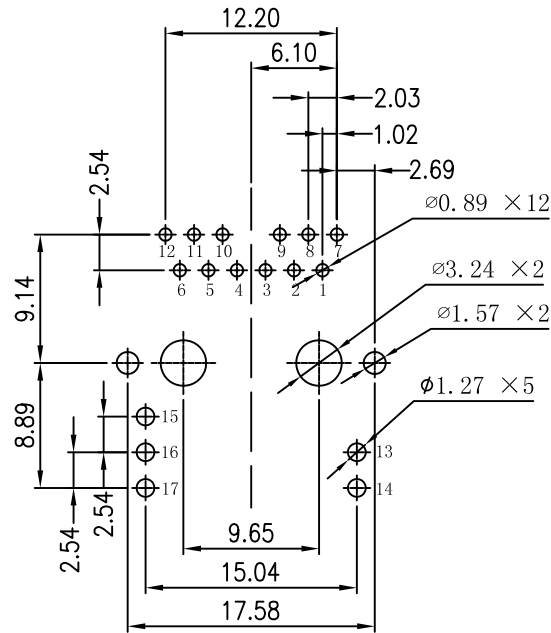
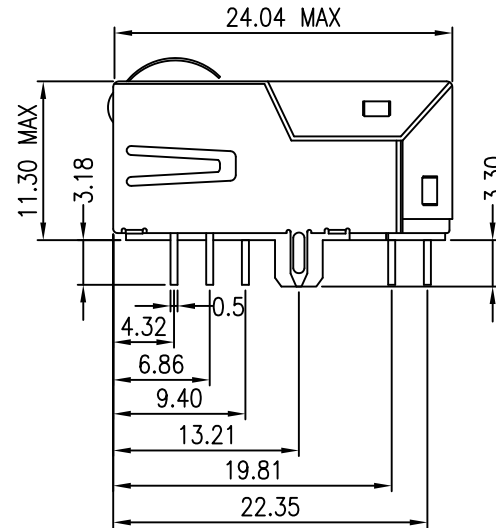
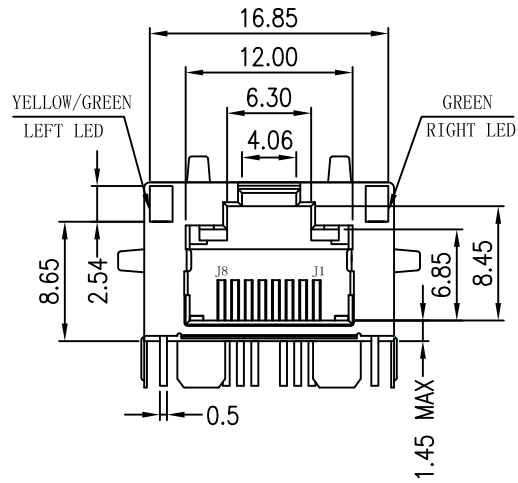
LED POLARITY			COLOR
PIN 13	PIN 14		
-	+		GREEN

Emitting Color	λp(nm)	VF@IF=20mA	IR @VR=5V
GREEN	565	1.8~2.6V	10 μA max
YELLOW	585	1.8~2.6V	10 μA max

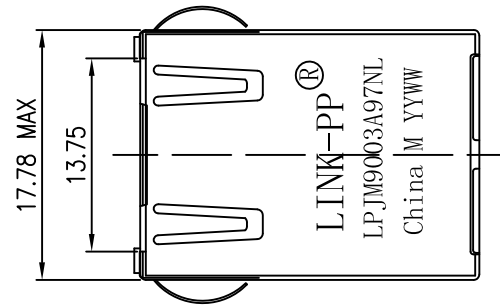
X:X ±0.30	APPD:	LINK-PP INT'L TECHNOLOGY CO., LIMITED		
X:XX ±0.25	CHKD:			
X:XXX ±0.05	DR: TOM	TITLE: RJ45 Connector With 10G Base-T Integrated Magnetic		
ANGLES ±1°	UNIT: mm	PART NO.: LPJM9003A97NL		
	SCALE: 2/1	SHEET: 1/2	REV: A	DWG: LP22012108

Mechanical:

REV.	ECN NO.	DESCRIPTION	DATE	APPD
A	REL		2022-01-21	



SUGGESTED PCB LAYOUT(TOP VIEW)



NOTES:

1. Designed to support application, such as SOHO (ADSL modems), LAN-on-Motherboard (LOM), hub and Switches.
2. Meets IEEE 802.3 specification
3. Connector Materials:
Housing: Thermoplastic UL94V-0
Contact/Shield: Copper alloy
Shield plating: Nickel
Contact plating: Gold 6 micro-inches Min. In contact area.
4. Wave peak temperature: 260°C Max, 5Sec.
5. UL Certification: File Number E484635.



X:X	±0.30	APPD:	LINK-PP INT'L TECHNOLOGY CO., LIMITED
X:XX	±0.25	CHKD:	
X:XXX	±0.05	DR: TOM	TITLE: RJ45 Connector With 10G Base-T Integrated Magnetic
ANGLES	±1°	UNIT: mm	PART NO.: LPJM9003A97NL
	SCALE: 2/1	SHEET: 2/2	REV: A DWG: LP22012108