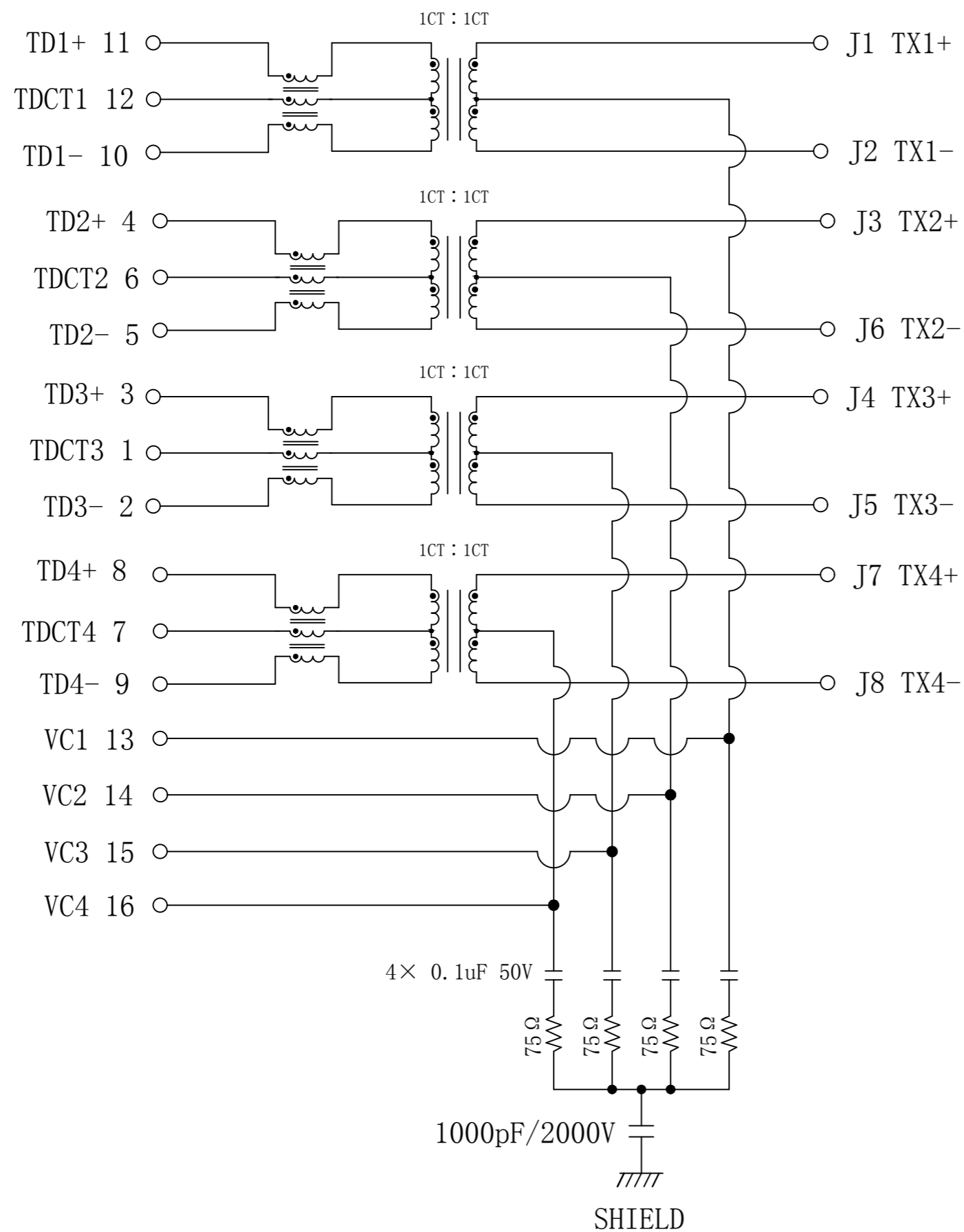


# Schematic:

REV.	ECN NO.	DESCRIPTION	DATE	APPD
A6	REL		2023-03-19	

PC BOARD CONNECTIONS



RJ45 CONNECTOR

## ELECTRICAL SPECIFICATIONS @25°C

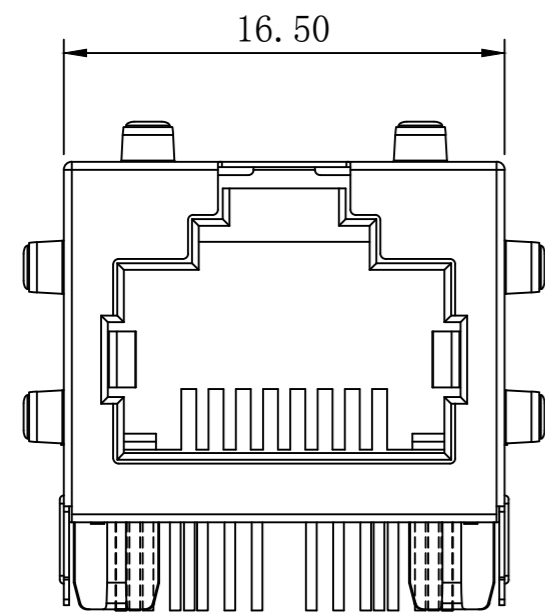
- Turn Ratio( $\pm 2\%$ ):  
Pri:Sec = 1CT:1CT
- Inductance OCL:  
120uH Min @100KHz 0.1V 8mA
- Insertion Loss:  
-1.5dB Max @1-250MHz  
-3.0dB Max @250-500MHz
- Return Loss:  
-18dB Min @1-40MHz  
-14dB Min @40-100MHz  
-11dB Min @100-250MHz  
-8dB Min @250-500MHz
- Cross talk:  
-30dB Min @1-100MHz  
-20dB Min @100-500MHz
- Common Mode Rejection Ratio:  
-28dB Min @1-100MHz  
-22dB Min @100-250MHz  
-20dB Min @250-500MHz
- Balance DC Line current:  
1000mA Max @57VDC Continuous.
- Isolation PHY SIDE To Line SIDE : 1500Vrms
- Operating Temperature Range: -40°C to +85°C.

X:X	$\pm 0.30$	APPD:	TOM	LINK-PP INT'L TECHNOLOGY CO., LIMITED
X:XX	$\pm 0.25$	CHKD:	JAMES	
X:XXX	$\pm 0.05$	DR:	LEO	TITLE: RJ45 Connector with 10G Base-T Integrated Magnetics For PoE++ Application
ANGLES	$\pm 1^\circ$	UNIT:	mm	PART NO. : LPJMP96282CNL
	SCALE:	2/1	SHEET:	1/2
	REV:	A6	DWG NO. :	LP23031951

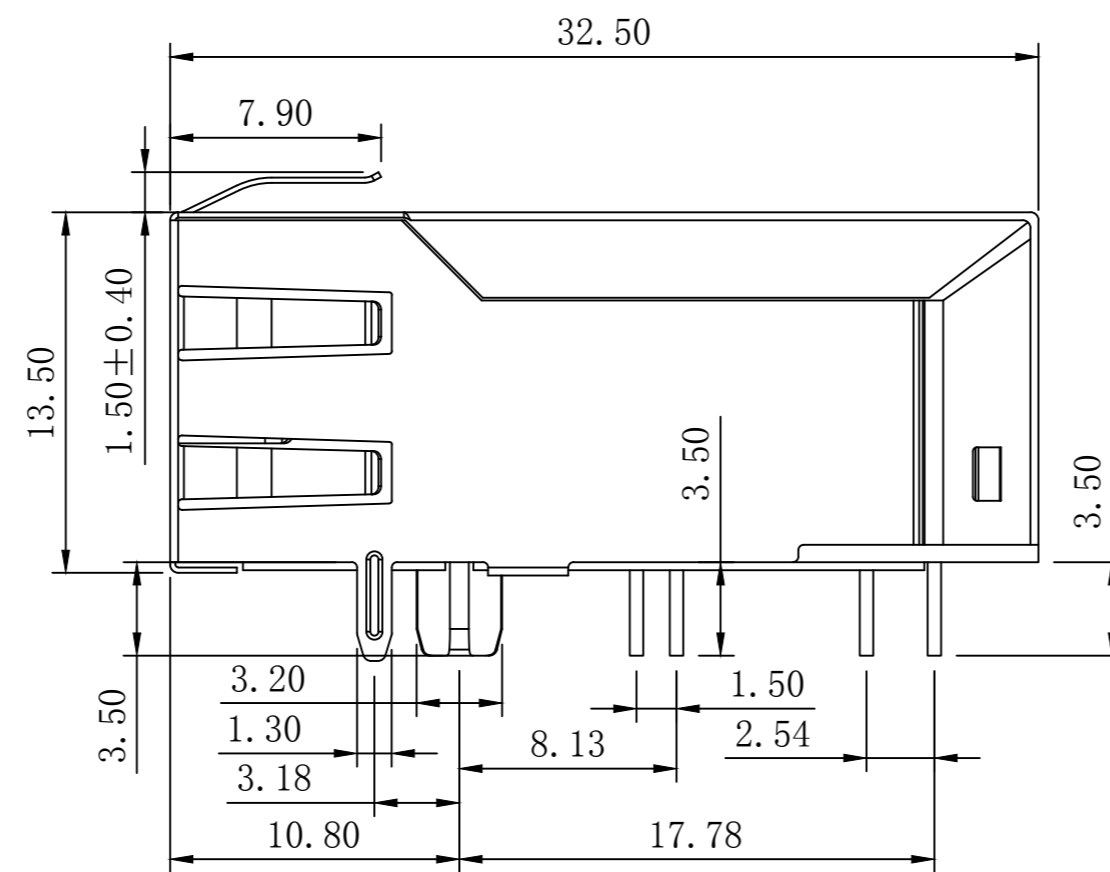


# Mechanical :

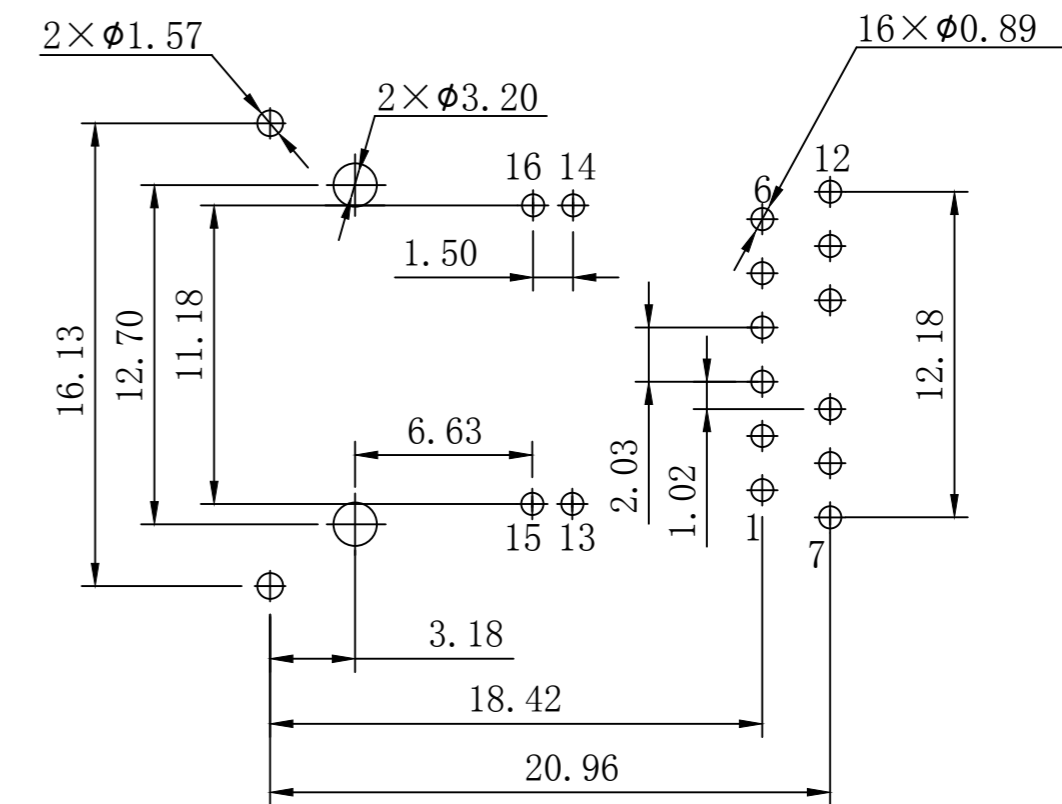
REV.	ECN NO.	DESCRIPTION	DATE	APPD
A6	REL		2023-03-19	



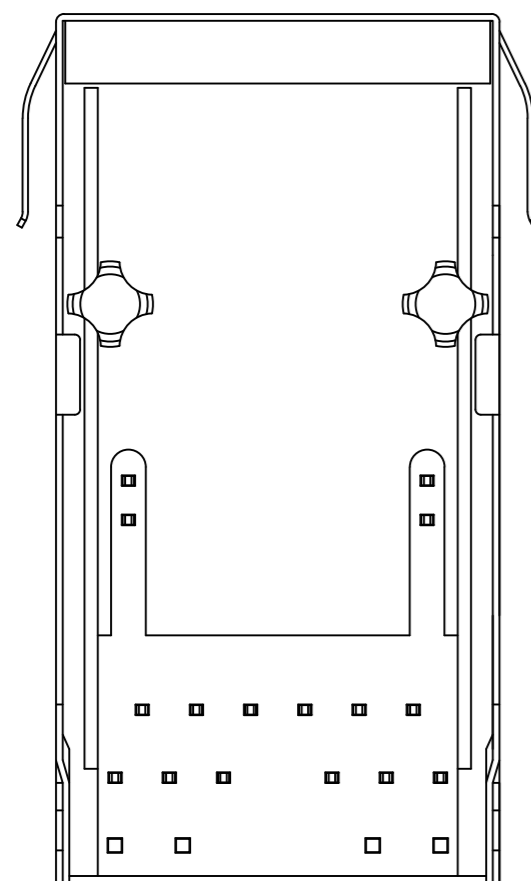
Front Side View



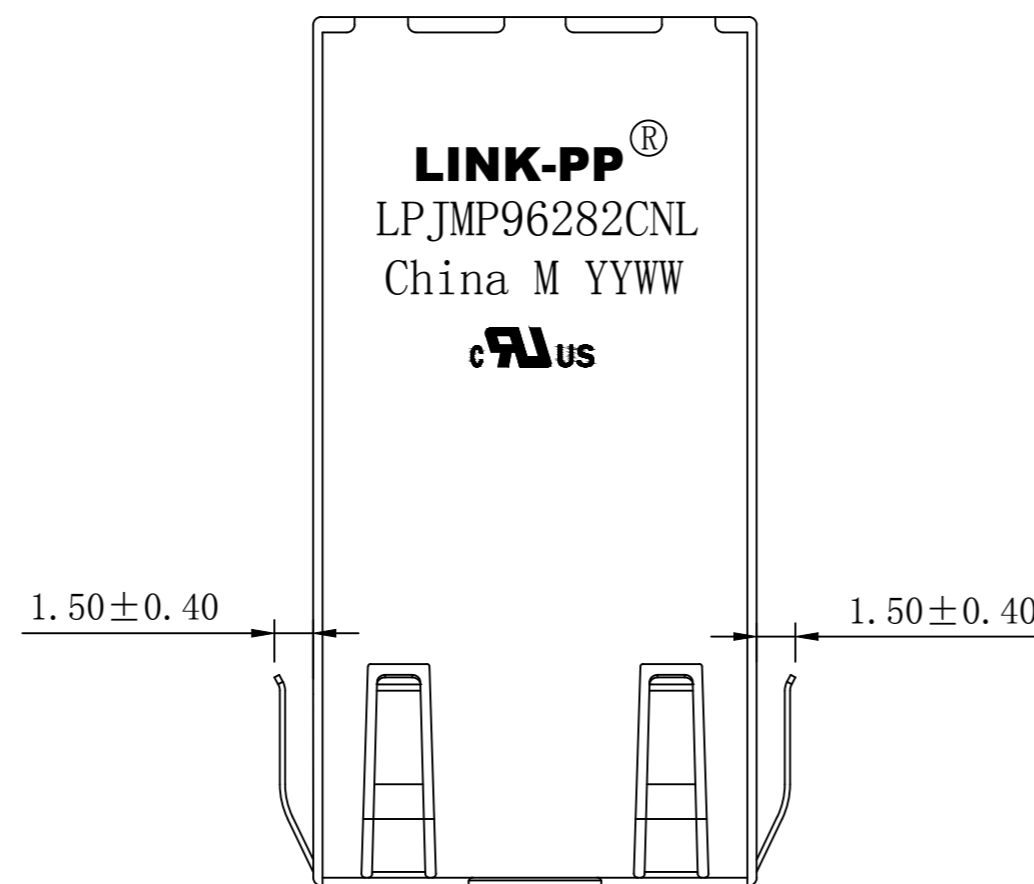
Left Side View



Suggested PCB Layout (Top View)



Bottom Side View



Top Side View



## NOTES:

1. Designed to support application, such as SOHO (ADSL modems), LAN-on-Motherboard (LOM), hub and Switches.
2. Meets IEEE 802.3bt specification with up to 140W
3. Connector Materials:  
 Housing Material: Thermoplastic PBT+30%G.F UL94V-0  
 Contact Material: Phosphor Bronze C5210R-EH Thickness=0.35mm  
 Pins: Brass C2680R-H Thickness=0.35mm  
 Shield: SUS 304 1/2EH Thickness=0.2mm  
 Contact plating: Gold 6 micro-inches min. In contact area.
4. Wave solder tip temperature: 250°C, 5 Sec.
5. UL Certification: File Number E484635.

X:X ±0.30	APPD: TOM	LINK-PP INT'L TECHNOLOGY CO., LIMITED
X:XX ±0.25	CHKD: JAMES	
X:XXX ±0.05	DR: LEO	TITLE: RJ45 Connector with 10G Base-T Integrated Magnetics For PoE++ Application
ANGLES ±1°	UNIT: mm	PART NO.: LPJMP96282CNL
	SCALE: 2/1	SHEET: 2/2
	REV: A6	DWG NO.: LP23031951