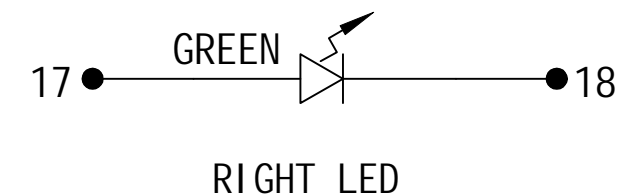
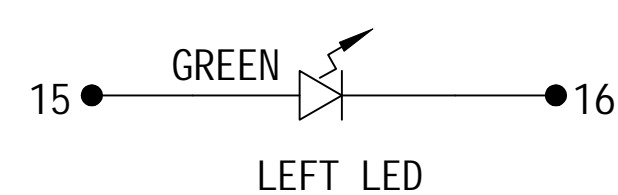
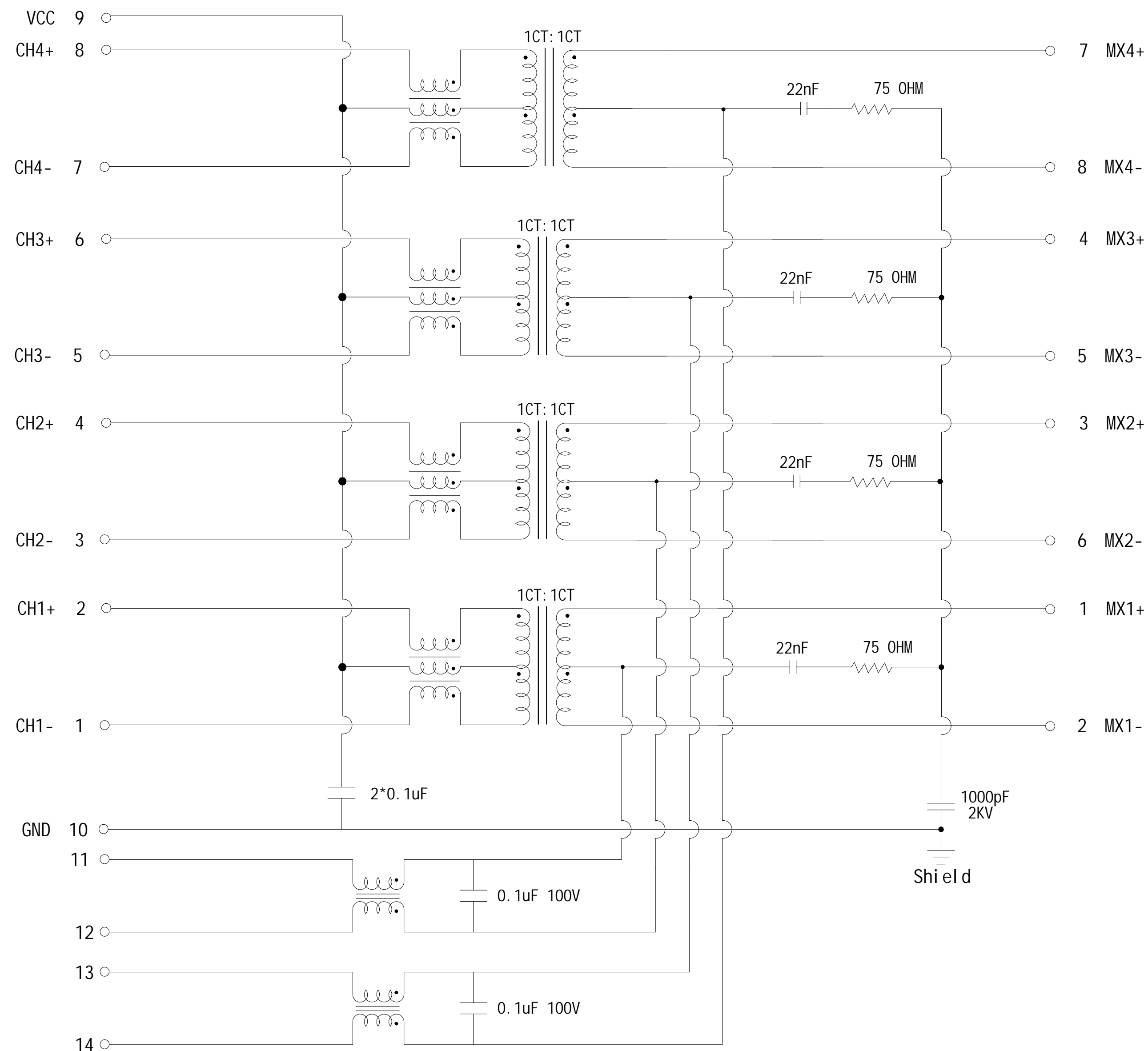
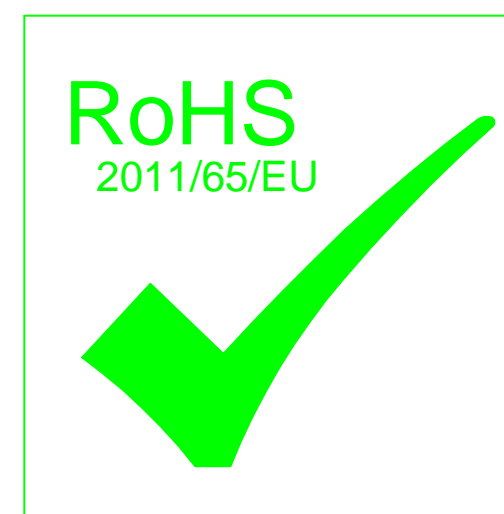


Schematic:

PCB CONNECTIONS



EMITTING COLOR	$\lambda$ p(nm)	V <sub>F</sub> @I <sub>F</sub> =20mA	I <sub>R</sub> @V <sub>R</sub> =5V
GREEN	565	1.8~2.6V	10 $\mu$ A max



REV.	ECN NO.	DESCRIPTION	DATE	APPD
A	REL		2023-07-18	

ELECTRICAL SPECIFICATIONS @25°C

- Turn Ratio : 1CT:1CT  $\pm$ 5%
- OCL: 180uH Min @100KHz, 0.1V, 8mA DC Bias
- Insertion Loss (dB Max):  
1-125MHz: -1.0
- Return Loss(dB Min):  
1-40MHz: -20  
40-250MHz: -20+15\*log(f/40MHz)
- Cross Talk:  
1-125MHz: -30dB Min.
- Common Mode Rejection(dB Min):  
30-200MHz: -30
- Balance DC Line current:  
720mA MAX, @57VDC Continuous;
- Isolation PHY SIDE To Line SIDE : 1500Vrms
- Operating Temperature Range: -40°C ~ +85°C.

RJ45 CONNECTOR

X.X	$\pm$ 0.30	APPD: TOM	LINK-PP INT'L TECHNOLOGY CO., LIMITED
X.XX	$\pm$ 0.25	CHKD: JAMES	TITLE:
X.XXX	$\pm$ 0.15	DR: JULY	RJ45 2X4 PORTS CONNECTOR WITH 2.5G BASE-T INTEGRATED MAGNETICS FOR POE+ APPLICATION
ANGLES	$\pm$ 1°	UNIT: mm	PART NO.: LPJTP474320-8AF6-C
	SCALE: 2/1	SHEET: 1/2	REV: A DWG NO.: LP23071810

