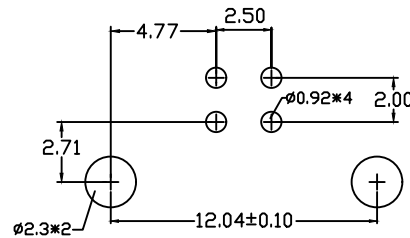
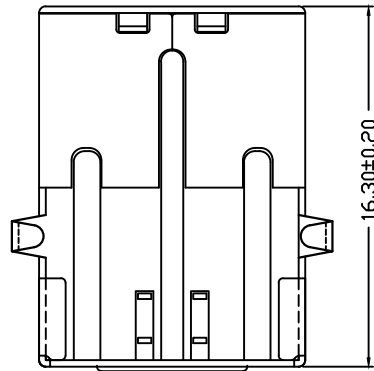
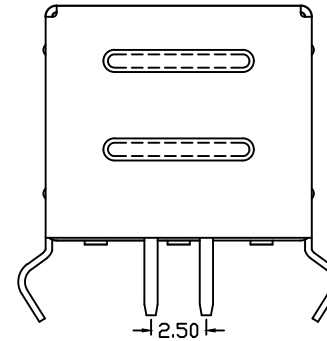
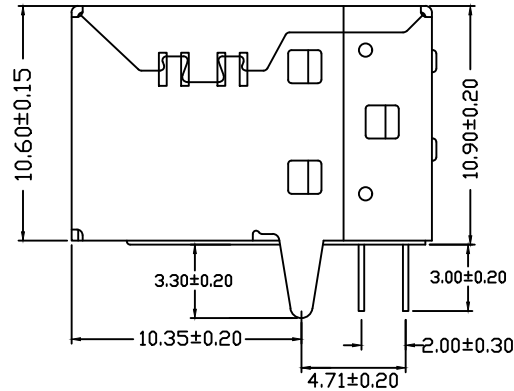
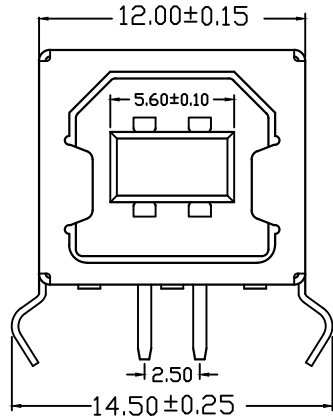


Mechanical:

REV.	ECN NO.	DESCRIPTION	DATE	APPD
A	REL		2022-10-11	



PCB LAYOUT

Specifications:

Electrical:

Current Rating: 1.5A/contact terminal

Voltage Rating: 30V DC

Contact Resistance: 30 milliohms MAX

Dielectric Withstanding Voltage: 500 V AC AT Sea Level

Insulation Resistance: 1000MEGA ohms MIN

Raw material:

Plastic cement: High Temperature Thermoplastics, PBT. Color: Black

Contact: Copper Alloy C2680

Shell: SPCC/Copper Alloy C2680

Electroplate:

Contact: Plated Gold in Mating Area; Tin On Solder Tails

Shell: Nickel Plating

operating temperature is: -0°C ~ +50°C

UL Certification: File Number E484635.



X:X	±0.30	APPD:	TOM	LINK-PP INT'L TECHNOLOGY CO., LIMITED
X:XX	±0.25	CHKD:	JAMES	
X:XXX	±0.05	DR:	LEO	TITLE: USB BF 90° Bending of the foot
ANGLES	±1°	UNIT:	mm	PART NO.: LPUSB1149
	SCALE:	2/1	SHEET:	1/2
	REV:	A	DWG NO.:	LP22101105