

## LS-BL49551G-80I

1.25Gbps SFP BIDI Transceiver, Single Mode, 80km Reach  
1490nm TX / 1550nm RX

### Product Features

- Supports up to 1.25Gbps bit rates
- Hot-pluggable SFP footprint
- 1490nm DFB laser and PIN photo detector, Up to 80km for SMF transmission
- Compliant with SFP MSA and SFF-8472 with simplex LC receptacle
- Compatible with RoHS
- Single +3.3V power supply
- Real Time Digital Diagnostic Monitoring
- Operating case temperature:  
Standard: 0 to +70°C  
Industrial: -40 to +85°C

### Applications

- 1.25Gbps Optical systems
- Gigabit Ethernet
- 1.063Gbps Fiber Channel
- Other Optical links

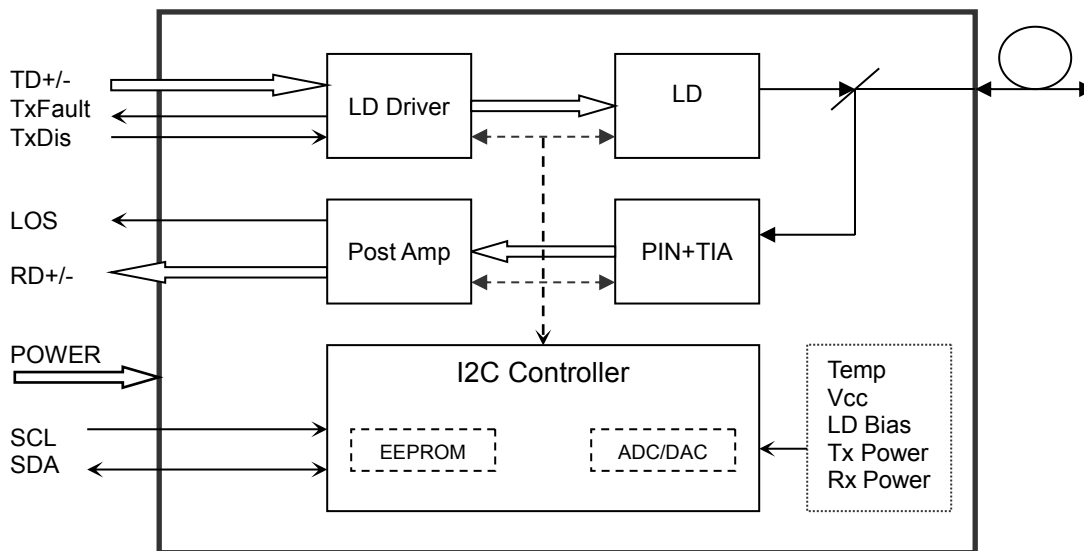


### Description

The SFP transceivers are high performance, cost effective modules supporting data rate of 1.25Gbps and 80km transmission distance with SMF.

The transceiver consists of three sections: a DFB laser transmitter, a PIN photodiode integrated with a trans-impedance preamplifier (TIA) and MCU control unit. All modules satisfy class I laser safety requirements.

The transceivers are compatible with SFP Multi-Source Agreement and SFF-8472 digital diagnostics functions.



Transceiver functional diagram

## Absolute Maximum Ratings

| Parameter           | Symbol | Min  | Max | Unit |
|---------------------|--------|------|-----|------|
| Supply Voltage      | Vcc    | -0.5 | 4.5 | V    |
| Storage Temperature | Ts     | -40  | +85 | °C   |
| Operating Humidity  | -      | 5    | 85  | %    |

## Recommended Operating Conditions

| Parameter                  | Symbol | Min   | Typical | Max   | Unit |
|----------------------------|--------|-------|---------|-------|------|
| Operating Case Temperature | Tc     | 0     |         | +70   | °C   |
|                            |        | -20   |         | +85   | °C   |
|                            |        | -40   |         | +85   | °C   |
| Power Supply Voltage       | Vcc    | 3.135 | 3.30    | 3.465 | V    |
| Power Supply Current       | Icc    |       |         | 300   | mA   |
| Data Rate                  |        | 0.1   | 1.25    |       | Gbps |

## Optical and Electrical Characteristics

| Parameter                      | Symbol          | Min  | Typical | Max  | Unit     | Notes |
|--------------------------------|-----------------|------|---------|------|----------|-------|
| <b>Transmitter</b>             |                 |      |         |      |          |       |
| Centre Wavelength              | $\lambda_c$     | 1470 | 1490    | 1510 | nm       |       |
| Spectral Width (-20dB)         | $\Delta\lambda$ |      |         | 1    | nm       |       |
| Side-Mode Suppression Ratio    | SMSR            | 30   |         |      | dB       |       |
| Average Output Power           | Pout            | 0    |         | +5   | dBm      | 1     |
| Extinction Ratio               | ER              | 9.0  |         |      | dB       |       |
| Data Input Swing Differential  | VIN             | 180  |         | 1200 | mV       | 2     |
| Input Differential Impedance   | ZIN             | 90   | 100     | 110  | $\Omega$ |       |
| TX Disable                     | Disable         |      | 2.0     | Vcc  | V        |       |
|                                | Enable          |      | 0       | 0.8  | V        |       |
| TX Fault                       | Fault           |      | 2.0     | Vcc  | V        |       |
|                                | Normal          |      | 0       | 0.8  | V        |       |
| <b>Receiver</b>                |                 |      |         |      |          |       |
| Centre Wavelength              | $\lambda_c$     | 1530 | 1550    | 1570 | nm       |       |
| Receiver Sensitivity           |                 |      |         | -26  | dBm      | 3     |
| Receiver Overload              |                 | -1   |         |      | dBm      | 3     |
| LOS De-Assert                  | LOSD            |      |         | -27  | dBm      |       |
| LOS Assert                     | LOSA            | -38  |         |      | dBm      |       |
| LOS Hysteresis                 |                 | 0.5  |         | 4    | dB       |       |
| Data Output Swing Differential | Vout            | 600  | 800     | 1000 | mV       | 4     |
| LOS                            | High            | 2.0  |         | Vcc  | V        |       |
|                                | Low             |      |         | 0.8  | V        |       |

### Notes:

1. The optical power is launched into SMF.
2. PECL input, internally AC-coupled and terminated.
3. Measured with a PRBS  $2^{23}-1$  test pattern @1250Mbps, BER  $\leq 1 \times 10^{-12}$ .
4. Internally AC-coupled.

## Timing and Electrical

| Parameter                                       | Symbol         | Min | Typical | Max             | Unit |
|---|----------------|-----|---------|-----------------|------|
| Tx Disable Negate Time                          | t_on           |     |         | 1               | ms   |
| Tx Disable Assert Time                          | t_off          |     |         | 10              | μs   |
| Time To Initialize, including Reset of Tx Fault | t_init         |     |         | 300             | ms   |
| Tx Fault Assert Time                            | t_fault        |     |         | 100             | μs   |
| Tx Disable To Reset                             | t_reset        | 10  |         |                 | μs   |
| LOS Assert Time                                 | t_loss_on      |     |         | 100             | μs   |
| LOS De-assert Time                              | t_loss_off     |     |         | 100             | μs   |
| Serial ID Clock Rate                            | f_serial_clock |     | 100     | 400             | KHz  |
| MOD_DEF (0:2)-High                              | V <sub>H</sub> | 2   |         | V <sub>cc</sub> | V    |
| MOD_DEF (0:2)-Low                               | V <sub>L</sub> |     |         | 0.8             | V    |

## Diagnostics

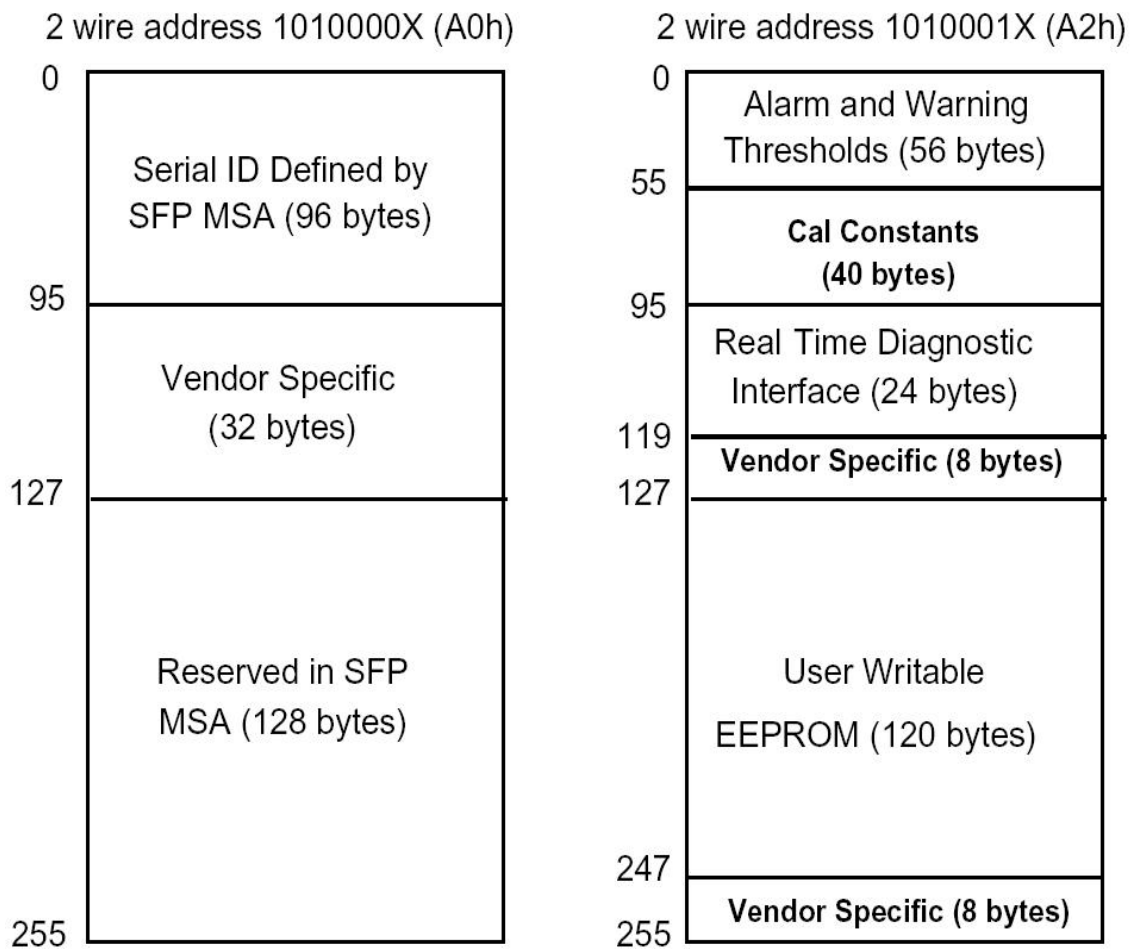
| Parameter    | Range      | Unit | Accuracy | Calibration |
|--------------|------------|------|----------|-------------|
| Temperature  | 0 to +70   | °C   | ±3°C     | Internal    |
|              | -20 to +80 |      |          |             |
|              | -40 to +85 |      |          |             |
| Voltage      | 3.0 to 3.6 | V    | ±3%      | Internal    |
| Bias Current | 0 to 100   | mA   | ±10%     | Internal    |
| TX Power     | 0 to +5    | dBm  | ±3dB     | Internal    |
| RX Power     | -26 to -1  | dBm  | ±3dB     | Internal    |

## Digital Diagnostic Memory Map

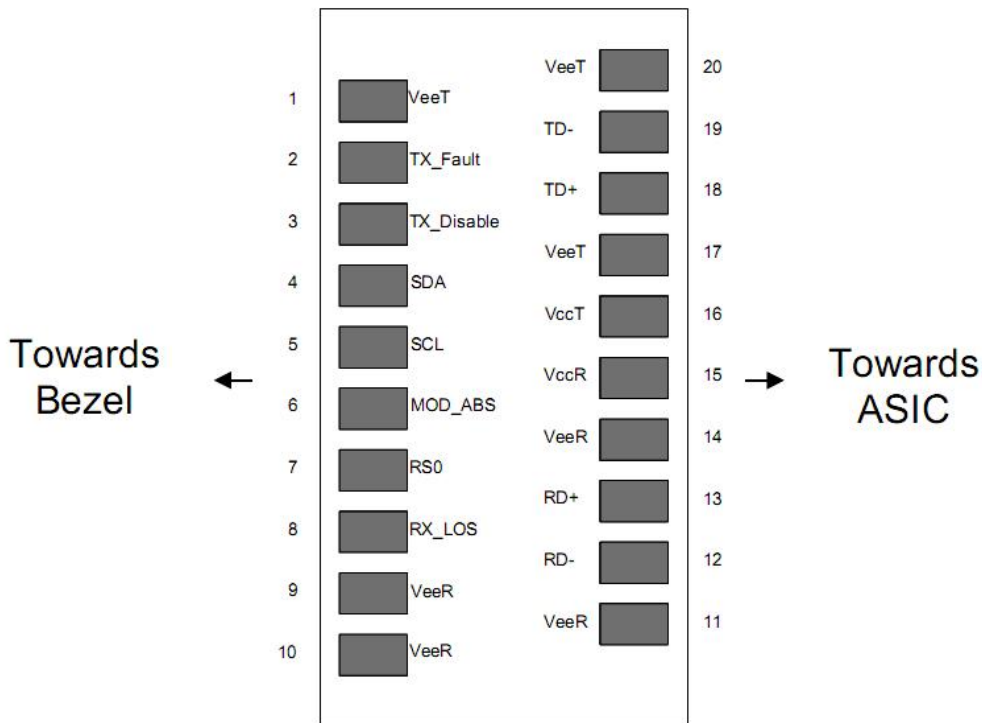
The transceivers provide serial ID memory contents and diagnostic information about the present operating conditions by the 2-wire serial interface (SCL, SDA).

The diagnostic information with internal calibration or external calibration all are implemented, including received power monitoring, transmitted power monitoring, bias current monitoring, supply voltage monitoring and temperature monitoring.

The digital diagnostic memory map specific data field defines as following.



## Pin Descriptions



| Pin | Signal Name | Description                               | Plug Seq. | Notes  |
|-----|-------------|---|-----------|--------|
| 1   | VEET        | Transmitter Ground                        | 1         |        |
| 2   | TX FAULT    | Transmitter Fault Indication              | 3         | Note 1 |
| 3   | TX DISABLE  | Transmitter Disable                       | 3         | Note 2 |
| 4   | SDA         | SDA Serial Data Signal                    | 3         |        |
| 5   | SCL         | SCL Serial Clock Signal                   | 3         |        |
| 6   | MOD_ABS     | Module Absent. Grounded within the module | 3         |        |
| 7   | RS0         | Not Connected                             | 3         |        |
| 8   | LOS         | Loss of Signal                            | 3         | Note 3 |
| 9   | VEER        | Receiver ground                           | 1         |        |
| 10  | VEER        | Receiver ground                           | 1         |        |
| 11  | VEER        | Receiver ground                           | 1         |        |
| 12  | RD-         | Inv. Received Data Out                    | 3         | Note 4 |
| 13  | RD+         | Received Data Out                         | 3         | Note 4 |
| 14  | VEER        | Receiver ground                           | 1         |        |
| 15  | VCCR        | Receiver Power Supply                     | 2         |        |
| 16  | VCCT        | Transmitter Power Supply                  | 2         |        |

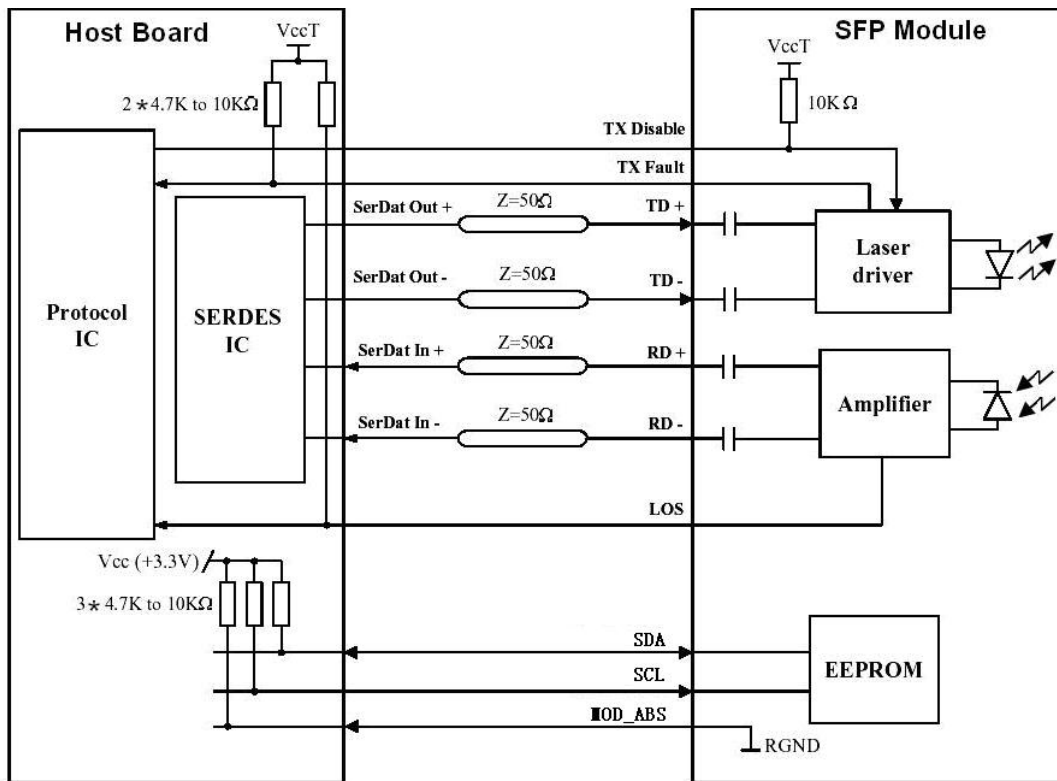
|    |      |                       |   |        |
|----|------|-----------------------|---|--------|
| 17 | VEET | Transmitter Ground    | 1 |        |
| 18 | TD+  | Transmit Data In      | 3 | Note 5 |
| 19 | TD-  | Inv. Transmit Data In | 3 | Note 5 |
| 20 | VEET | Transmitter Ground    | 1 |        |

**Notes:**

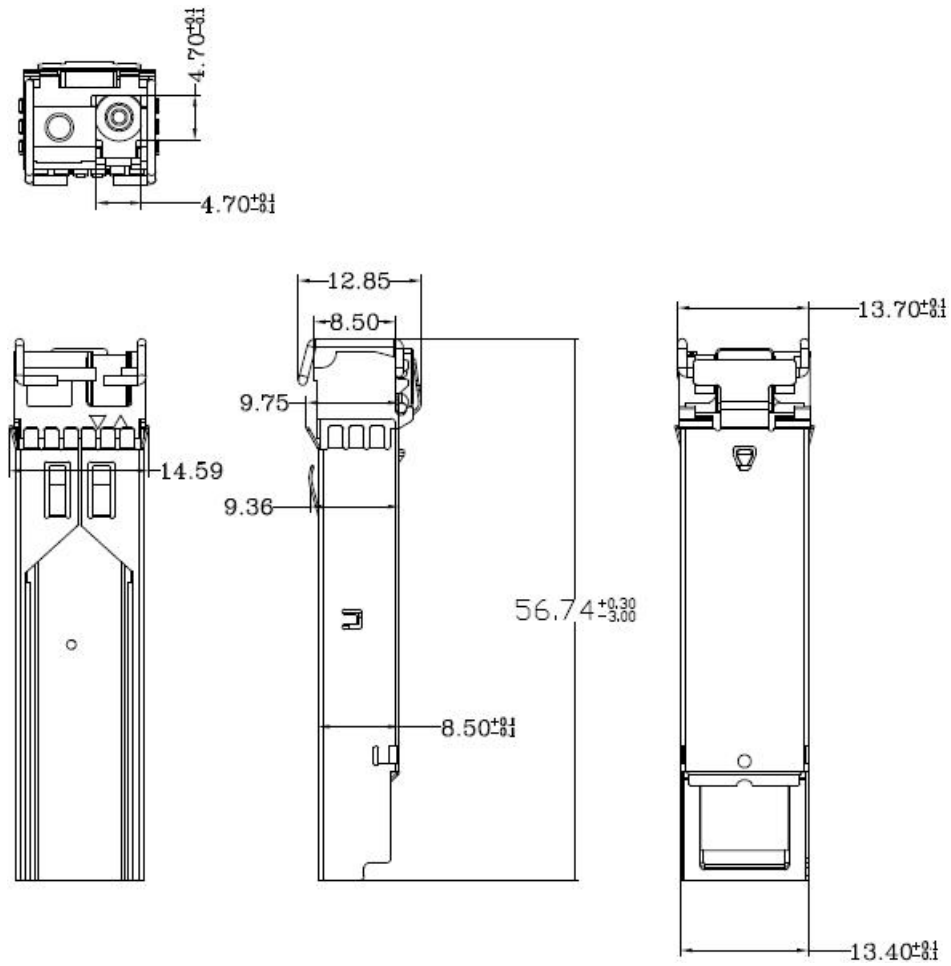
Plug Seq.: Pin engagement sequence during hot plugging.

- 1) TX Fault is an open collector output, which should be pulled up with a 4.7k~10kΩ resistor on the host board to a voltage between 2.0V and Vcc+0.3V. Logic 0 indicates normal operation; Logic 1 indicates a laser fault of some kind. In the low state, the output will be pulled to less than 0.8V.
- 2) Laser output disabled on TDIS >2.0V or open, enabled on TDIS <0.8V.
- 3) LOS is open collector output. Should be pulled up with 4.7k~10kΩ on host board to a voltage between 2.0V and 3.6V. Logic 0 indicates normal operation; logic 1 indicates loss of signal.
- 4) RD-/+ : These are the differential receiver outputs. They are internally AC-coupled 100 differential lines which should be terminated with 100Ω (differential) at the user SERDES.
- 5) TD-/+ : These are the differential transmitter inputs. They are internally AC-coupled, differential lines with 100Ω differential termination inside the module.

## Recommended Interface Circuit



## Mechanical Dimensions



## Ordering information

| Part Number     | Product Description                                    |
|-----------------|--|
| LS-BL49551G-80C | 1490T/1550R, 1.25Gbps, LC, 80km, 0°C~+70°C, with DDM   |
| LS-BL49551G-80I | 1490T/1550R, 1.25Gbps, LC, 80km, -40°C~+85°C, with DDM |